



325L / 12 cu. ft.

**SOLAR POWERED
BOTTOM MOUNT REFRIGERATOR
FROST FREE**

MODEL NUMBER: UGP-325L W, UGP-325L B



OWNER'S GUIDE

serial number:

NOV23V1



TABLE OF CONTENTS

| | | | |
|----|----------------------------|----|----------------------|
| 03 | Important safety notes | 16 | Care & Maintenance |
| 05 | Set-Up Dimensions | 17 | Food Storage |
| 06 | Door Reversal Instructions | 17 | Troubleshooting |
| 08 | Product features | 19 | Warranty |
| 09 | Initial Set-Up | 20 | Appliance Info |
| 10 | DC Power Connection | 20 | Product Registration |
| 12 | Electrical Diagram | 20 | Contact Us |
| 13 | Operation | | |

IMPORTANT: After transit where the fridge has been on its side or back, ensure that the fridge is in a level, upright position for 12 hours to allow compressor fluids to redistribute evenly before use.

WELCOME

Congratulations! You have purchased one of the most efficient refrigeration products available on the market today. The Unique 325L solar powered DC fridge is designed to provide years of efficient, trouble-free operation. The design is optimized for energy savings with an efficient DC compressor and efficient insulation.

Before using the appliance, read through this manual carefully including all the information on safety, installation, operation, and cleaning. These guidelines do not cover every possible condition or situation that may occur. Be safe using common sense and caution when installing, operating and cleaning this appliance. If you are unsure about any of these instructions or warnings, contact your local product dealer or Unique Appliances for assistance.

NEED HELP?

Before you call for service, here are a few things you can do to help us serve you better.

Read this owner's manual: It contains instructions to help you use and maintain your appliance properly.

Visit our website: Our website www.UniqueAppliances.com will give you access to self service tools, FAQs and much more.

If you receive a damaged appliance: Immediately contact the retailer that sold you the appliance.

Save time and money: Check the troubleshooting section at the end of this manual before calling. This section will help you solve common problems that may occur.

PROP 65 WARNING

CALIFORNIA PROPOSITION 65 WARNING



Cancer and Reproductive Harm - www.P65Warnings.ca.gov.

IMPORTANT SAFETY NOTES

- This fridge is designed to operate on 12 or 24 volts DC ONLY. DO NOT CONNECT THIS FRIDGE TO AN AC (alternating current) POWER SOURCE DIRECTLY - YOU CAN PURCHASE AN AC/DC CONVERTOR IF NEEDED (sold separately.)
- This fridge is designed for domestic use only! It is intended for the storage of edible/consumable food and drinks. It is not intended for commercial or industrial use.
- Never use excessive force on the handle to open the door.
- If the room/ambient temperature approaches the fridge's operating temperature, the fridge may not function correctly. If the room/ambient temperature exceeds 100°F (38°C) the fridge may not function correctly.
- A DC powered fridge has a lower cooling capacity than typical AC powered appliances. Because the compressor is small, the fridge/freezer runs more efficiently but lacks the ability to cool larger warm loads as quickly as typical AC-powered appliances.

GENERAL SAFETY

- Before cleaning or repositioning the fridge/freezer, always disconnect from the electrical power supply.
- Service the fridge/freezer only if you are a trained or authorized refrigeration technician.
- This appliance contains refrigerant R-600a and a polyolester compressor oil in its refrigerant circuit. Take utmost care when handling your fridge so as to not cause damage to the refrigerant circuit with consequent possible leakage.
- Do not use other electrical appliances (such as ice cream makers) inside of the refrigerating appliance.

CHILD SAFETY

- **Do not allow children to play in, on or around the fridge. It is not a toy. THERE IS A DANGER OF SUFFOCATION IF A CHILD BECOMES TRAPPED INSIDE.**
- When the appliance is not in use, secure or remove the doors to prevent children from playing inside the cabinets. **DANGER OF SUFFOCATION** - Keep children away from all packaging material.

DANGER

Risk of child entrapment. Before throwing away an old appliance:

- Remove the door or lid.
- Leave shelves in place so that children may not easily climb inside.
- Cleaning and use/maintenance shall not be made by children without supervision.
- Do not spray or flush the refrigerator with water, or place the refrigerator in an area exposed to water or direct moisture. Failing to follow such requirements may lead to electric shock and fire, or other damages.
- Do not hang, swing or pull down on the refrigerator door or handle.
- To avoid a tipping hazard, the appliance must be fixed in accordance with the instructions.
- Avoid cold injuries: when the appliance is fully operating, never touch its inner surface with wet hands as skin may freeze and stick to the surface, causing injury.

IMPORTANT SAFETY NOTES

CAUTION

- Consult repair manual or owner's guide before attempting to service this product. All safety precautions must be followed. Service the fridge/freezer only if you are a trained or authorized refrigeration technician.
- Follow handling instructions carefully.

DISPOSING OF THE APPLIANCE

Dispose of your fridge properly, in accordance with federal or local regulations, at an authorized disposal site. The refrigerant must be completely drained and collected by an authorized technician for recycling prior to disposal. Check with your local Environmental Agency for recommendations on recycling this appliance in your area. Before disposal remove the electrical connection wiring and also ensure that the doors are removed to prevent children from being trapped inside - **Danger of suffocation!**

This marking indicates that this product should not be disposed with other household wastes throughout North America. To prevent possible harm to the environment or human health from uncontrolled waste disposal, recycle it responsibly to promote the sustainable reuse of material resources. Recycle all packing materials where/when possible.

REFRIGERANT

This appliance uses isobutane (R600a) refrigerant, a natural gas with a high level of environmental compatibility. As this refrigerant is flammable, take care to ensure that none of the components of the refrigerant circuit are damaged during transportation and installation.

If the refrigerant circuit is damaged:

- Avoid open flames and sources of ignition
- Thoroughly ventilate the room where the appliance is situated.



USE

- This appliance is intended for household use only. It is not designed for outside installation, including anywhere that is not temperature controlled (garages, porches, vehicles, etc.)
- Do not store any containers with flammable vapors or liquids in or around the appliance, such as organic solvents, spray cans, gas cans, etc. **Danger of explosion!**



SET-UP DIMENSIONS

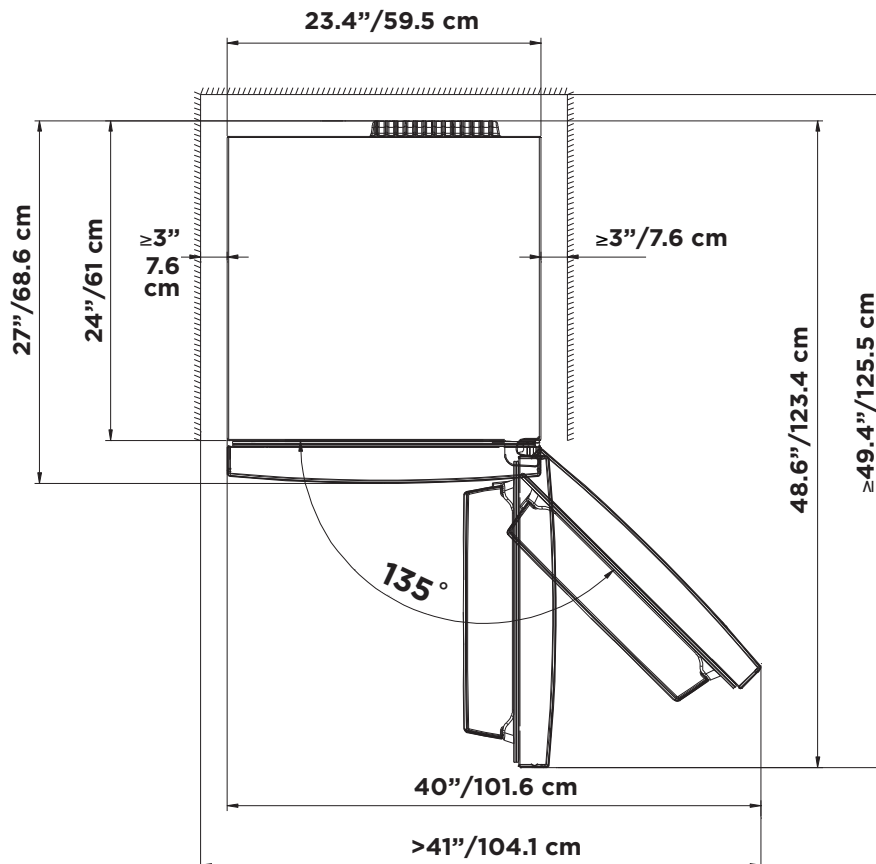
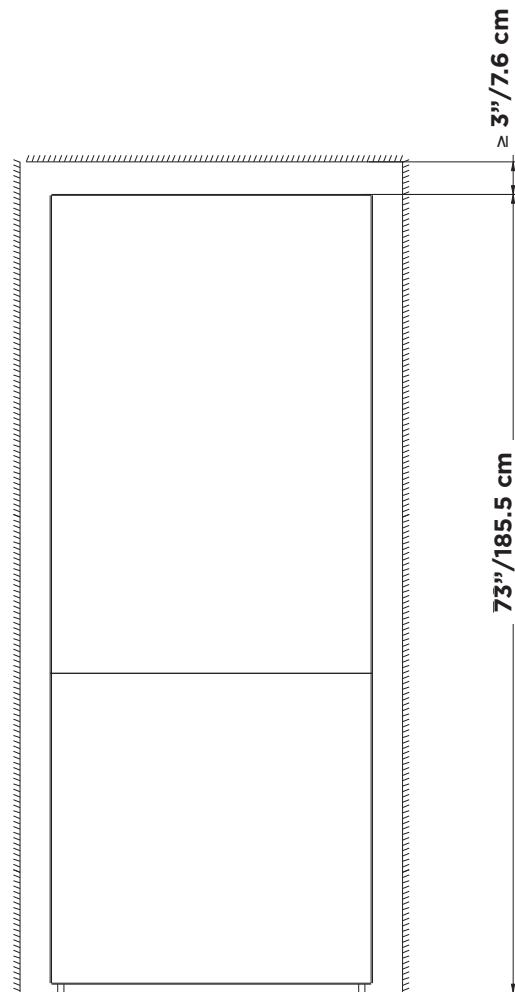
The refrigerator is designed for freestanding installation. Ensure the following:

- Doors have space to open freely, and that there is adequate ventilation on all sides.
- A minimum spacing of 3 inches (75 mm) to the top and the two sides is highly recommended.
- The space must be not less than the instruction dimensions, otherwise the refrigerator's operation may be adversely affected.

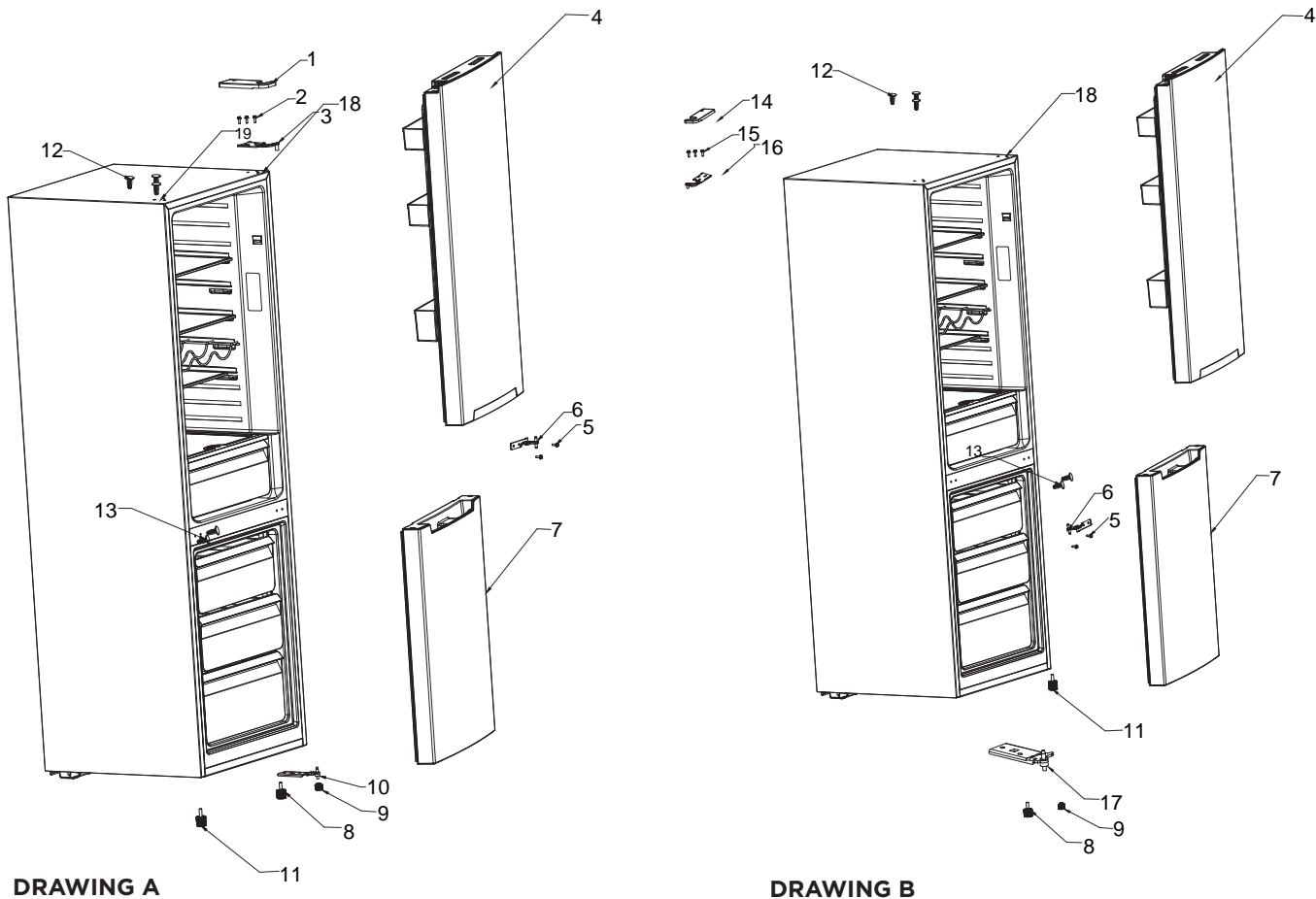
LEVELING INSTRUCTIONS

There are adjustable legs on the bottom of the front of the appliance that can be turned up or down to ensure that the appliance is level.

1. Turn the leveling leg counter-clockwise as far as it will go, until the top of the foot is touching the bottom of the cabinet.
2. Slowly turn the leveling leg clockwise until the appliance is level.



DOOR REVERSAL INSTRUCTIONS



DRAWING A

DRAWING B

TOOLS REQUIRED:

Slot head screwdriver, cross head screwdriver

IMPORTANT:

Please disconnect the power plug from the electrical outlet.

Remove the glass shelves, crisper and trays from the unit.

Tilt the appliance backwards to an angle of 45° or more and securely support it.

Removing the doors - Drawing A

Disassemble the door components 1 through 12 one by one, as shown in drawing A;

- 1 - Remove the top right hinge cap
- 2 - Unscrew the hinge screws
- 3 - Remove the top right hinge
- 4 - Remove the fridge door (be careful not to damage or scratch the door)
- 5 - Unscrew the middle hinge screws
- 6 - Remove the middle hinge
- 7 - Remove the freezer door (be careful not to damage or scratch the door)
- 8 - Unscrew the high adjustable feet (height 26 mm) (8,11)
- 9 - Unscrew the low adjustable feet (height 21 mm)
- 10 - Unscrew the lower freezer door hinge on the right side
- 12 - Unscrew the plastic cap-top on the left side

DOOR REVERSAL INSTRUCTIONS

Reattaching the doors - Drawing B

NOTE: Items 14, 16, 17 and 19 are enclosed in your manual bag and not fixed on the fridge.

- Fix part 17 as shown (lower hinge - left)
- Install the screws that hold the bottom hinge in place
- Install part 8 (high adjustable foot - 26mm)
- Install part 11 (high adjustable foot - 26mm)
- Install part 9 (low adjustable foot - 21 mm)
- Position part 7 (freezer door)
- Install part 6 (middle hinge)
- Install part 5 (screw)

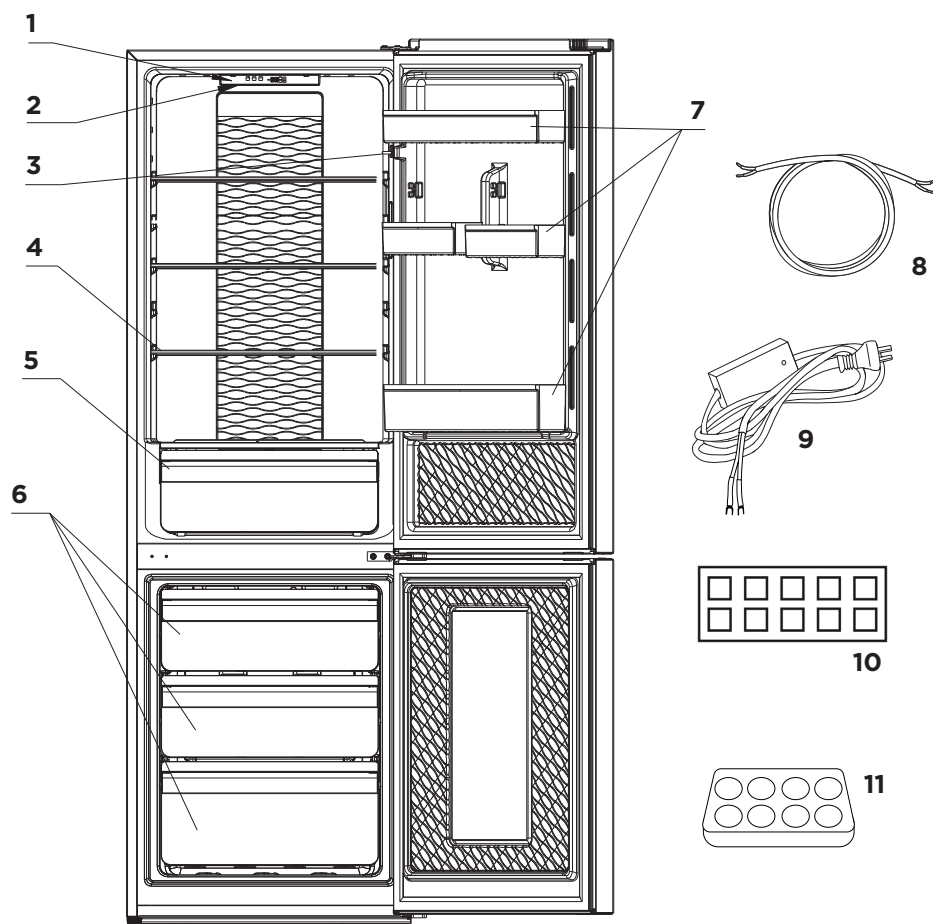


fig. 1

- Fix part 19 (door stopper) to the bottom of the fridge door and install fridge door (fig.1)
- Make sure that the door is in the vertical position and can be closed easily.
- Install part 16 (top left hinge)
- Install part 15 (screws)
- Install part 14 (left hinge cover)
- Install part 15 (screws) and part 13 (plastic cover - middle)
- Position part 12 (screw covers)
- Replace the glass shelves, crisper and trays back to their original positions

IMPORTANT : After reversing the door hinge, the door gasket may be loose. If you notice a gap between the gasket and the cabinet, use a hair dryer or heat gun and gently heat the gasket in place until it has expanded to meet the cabinet. Allow 30 minutes for the gasket to cool before opening the appliance. Proper gasket positioning and seal is the key to prevent refrigerated air from escaping.

PRODUCT FEATURES



FEATURES:

1. Control panel
2. LED light
3. Light switch
4. Glass shelf
5. Crisper
6. Plastic drawer
7. Door rack
8. Power cord
9. DC adapter
(*sold seperately)
10. Ice tray
12. Egg tray

| TECHNICAL PARAMETERS | |
|-----------------------------|------------------------|
| MODEL | UGP-325L DC |
| Rated voltage | DC12V/24V |
| Climate type | N/ST |
| Volume | 330L |
| Freezer Volume | 96L |
| Fridge Volume | 234L |
| Defrost Power | 140W |
| Lamp Power | 1W |
| Refrigerant Type / Charging | R600a / 54g |
| Insulation Blowing Gas | Cyclopentane |
| Dimensions (mm) | w 595 x d 686 x h 1855 |

| PART DESCRIPTION | QUANTITY SUPPLIED |
|------------------|-------------------|
| Glass shelf | 3 |
| Door rack | 4 |
| Crisper | 1 |
| Wine rack | 1 |
| Freezer drawer | 3 |
| Power cord | 1 |
| DC adapter | sold seperately |
| Ice tray | 1 |
| Egg tray | 1 |
| User manual | 1 |

Note: The information about the climate type is provided on the nameplate of the refrigerator. "N/ST" indicates this appliance is intended to be used at ambient temperatures ranging from 16 °C to 38 °C.

INITIAL SET-UP

PRIOR TO INSTALLATION

At delivery, please check that the fridge is complete and has not been damaged during transport. It is not advised to connect an appliance that has been damaged, especially if there is damage to the electrical supply cable or refrigerant circuit. In the event of damage please contact your local product dealer or Unique Appliances for assistance.

UNPACKING AND CLEANING

Remove all packaging and securing tapes from the appliance. To avoid personal injury and damage to the appliance, be extremely cautious when using sharp or pointed tools to remove packaging. Keep children away from the packaging material - **DANGER OF SUFFOCATION!** Wash the inside and outside of the appliance with lukewarm water and a mild soap or detergent. Abrasive or corrosive cleaning agents, steel wool, scouring sponges, or chemical cleaning agents should not be used under any circumstances. A sponge, soft brush or towel is recommended. After cleaning, thoroughly wipe away residue and allow to dry. You may want to leave the doors open allowing the compartments to ventilate for 20-30 minutes to get rid of residual odors. Check with your local Environmental Agency for recommendations on recycling packaging materials in your area.

INSTALLATION

- This appliance is heavy. Care should be taken when moving it.
- Be sure that the appliance does not stand on the electrical supply cable. Also, be sure the electrical cable is not squeezed or bent when the appliance is being installed or moved.
- Do not install the appliance near water, for example, in a wet basement or near a sink.
- Installation work and adjustments on the appliance must be carried out by qualified personnel only. Work performed by persons with inadequate technical knowledge may adversely effect the performance of the appliance, causing damage to the equipment, and void the warranty.
- It is dangerous to make alterations or attempt to modify this product in any way. Product alterations will void the warranty.

POSITIONING THE APPLIANCE

The area in which the fridge is to be installed must be relatively cool, dry, and suitably ventilated. The area must be protected against any inclement weather (rain, snow) and excessive surface dust. To ensure proper function, the appliance must be placed on a flat, firm, and stable surface resting level on all four supports. The floor must be strong enough to support a fully loaded cabinet. Use wood or metal shims to level the fridge if necessary.

Do not place the fridge close to heat sources (heater, stove, boiler, chimney, etc.), and avoid prolonged exposure to direct sunlight. This appliance uses the exterior walls to transfer heat from the inside of the cabinet. Ensure that there is adequate space between the fridge and neighboring walls or large objects. Normal spacing of 3 inches (7.5 cm) is highly recommended. This will provide sufficient airflow around the appliance resulting in more efficient operation and longer appliance lifetime. Always keep the air vent openings of the compressor housing cover free from dust and obstructions.

DC POWER CONNECTION

THIS FRIDGE MUST NEVER BE CONNECTED DIRECTLY TO ANY AC (alternating current) POWER SOURCE!

THE FRIDGE MUST ONLY BE CONNECTED TO A 12V OR 24V DC POWER SOURCE, SUCH AS A SOLAR BATTERY SYSTEM OR CHARGE CONTROLLER.

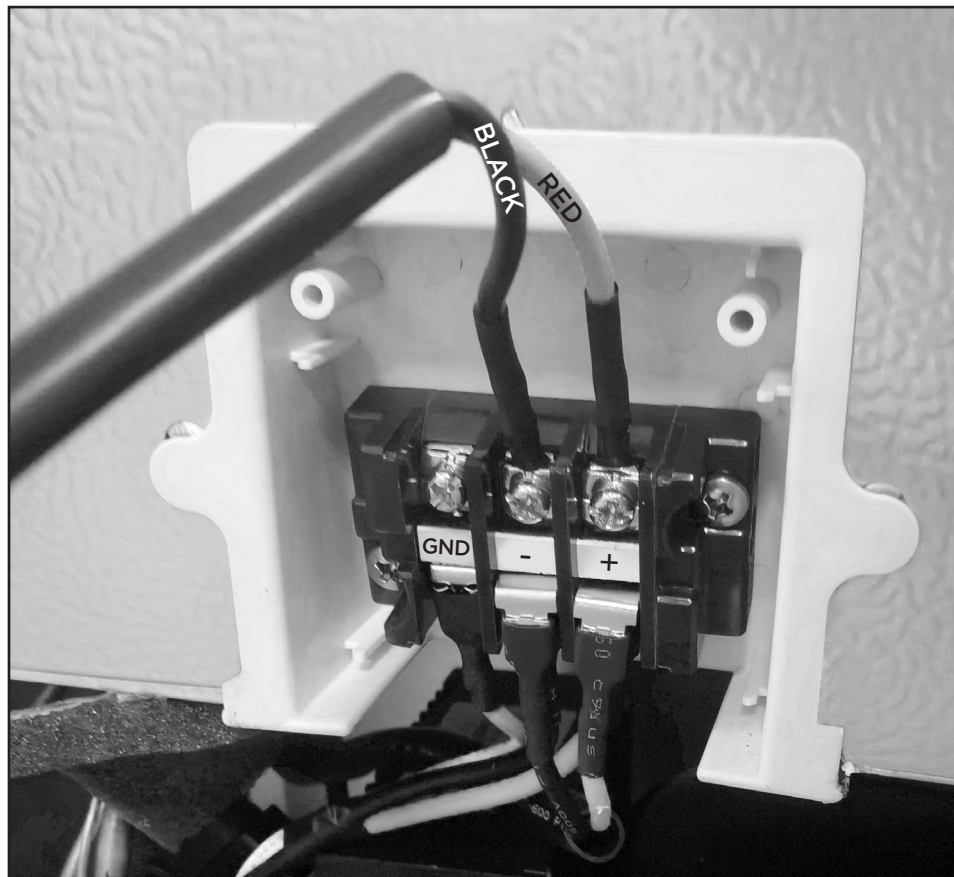
THE FRIDGE WILL AUTOMATICALLY OPERATE ON EITHER 12V OR 24V DC. THE USER DOES NOT NEED TO MAKE ANY ADJUSTMENT.

ATTENTION: Polarity is important in wiring this DC appliance. Be sure that the positive terminal of the battery or charge controller coincides with the positive wire to the compressor, and the negative terminal of the battery or charge controller coincides with the negative wire to the compressor. The leads should be connected using cable shoes and screwed connections. Joined leads should be avoided.

+ to + and - to -

positive to positive / negative to negative

(red wire) / (black wire)



DC POWER CONNECTION (continued)

IN-LINE FUSE

A 30A in-line fuse is provided with this fridge in order to protect the wiring. For 12V operation, use a 30A fuse. A standard automobile fuse is recommended and the fuse should be wired to the positive (“+”) side of the system close to the positive battery terminal.

| OPERATING VOLTAGE | FUSE |
|-------------------|------|
| 12 V / 24 V | 30 A |

ATTENTION

If a longer connection cable is necessary, the cable cross section (or gauge) must be equal to or greater than the cable sizes recommended on the following table. Be careful that the input voltage at the appliance does not drop below the cut-out voltage of the compressor.

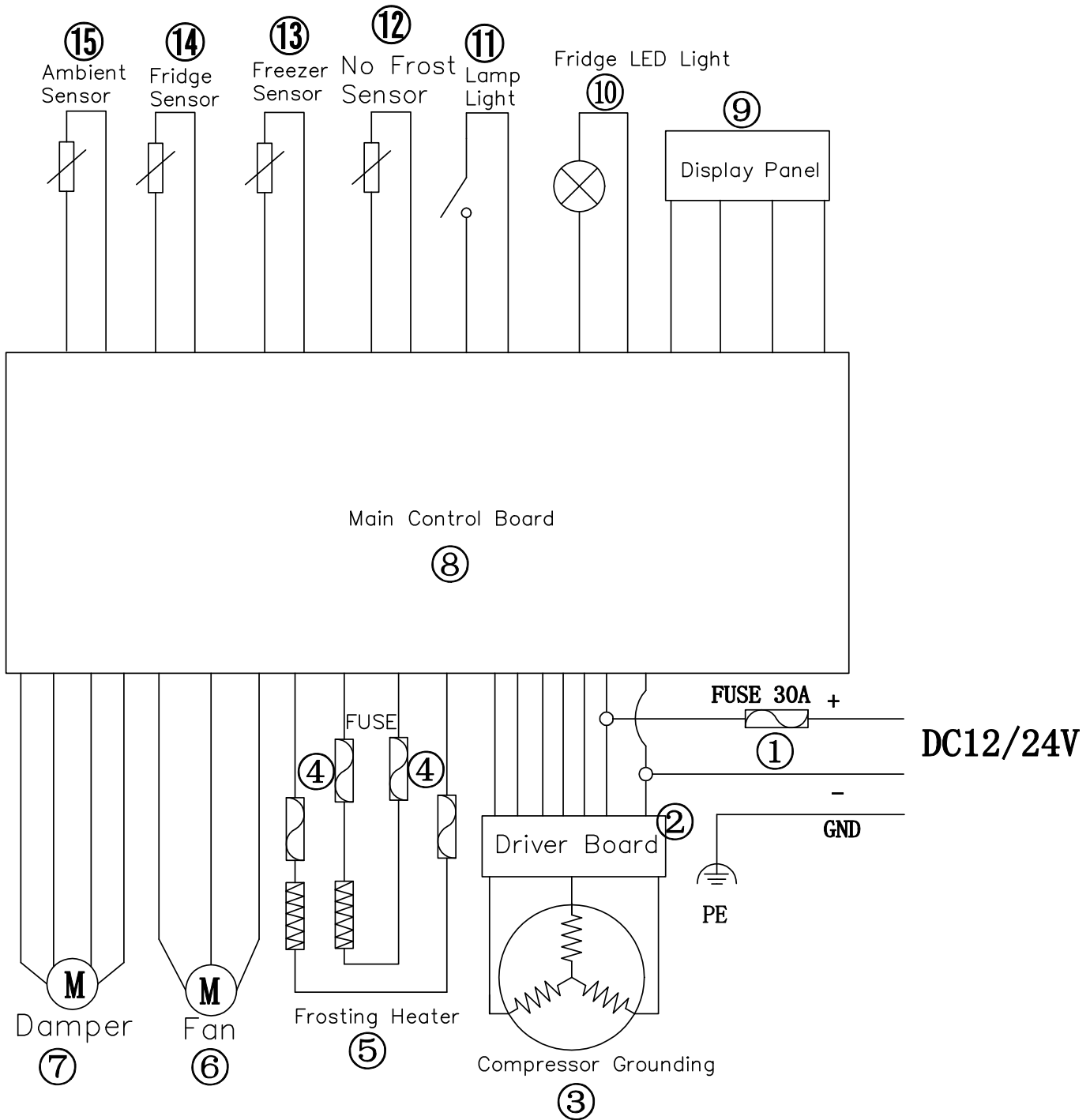
| CABLE SIZE | | 12V CABLE LENGTH | | 24V CABLE LENGTH | |
|-------------|-------|------------------|------|------------------|------|
| SIZE | AWG | | | | |
| mm/inch | gauge | m | ft | m | ft |
| 2.5 / 3/32" | 14 | 2.5 | 8 | 5 | 16 |
| 4 / 5/32" | 12 | 4 | 13 | 8 | 26 |
| 6 / 15/64" | 10 | 6 | 19.5 | 12 | 39 |
| 10 / 25/64" | 6 | 10 | 32.8 | 20 | 65.6 |

LOW VOLTAGE DISCONNECT

The compressor electronics includes a low voltage disconnect feature. If the input voltage to the appliance falls below 10.4V (in 12 V mode) or 22.8V (in 24 V mode), the compressor will shut-off. Once the voltage increases above 11.7V (in 12V mode) or 24.2V (in 24V mode), the compressor will resume normal operation. This feature is designed to protect the system battery from experiencing too low a depth of discharge.

| | 12 V OPERATION | 24 V OPERATION |
|-----------------|----------------|----------------|
| SHUT OFF | 9.7 V | 21.5 V |
| RESTART | 11.6 V | 23.4 V |

ELECTRICAL DIAGRAM



- | | |
|--------------------------------|-----------------------------|
| 1. Fuse 30A | 9. Display Panel |
| 2. Driver Board | 10. Fridge LED Light |
| 3. Compressor Grounding | 11. Lamp Light |
| 4. Fuse 10A | 12. No Frost Sensor |
| 5. Frosting Heater | 13. Freezer Sensor |
| 6. Fan | 14. Fridge Sensor |
| 7. Damper | 15. Ambient Sensor |
| 8. Main Control Board | |

OPERATION

Your Unique fridge, like any battery-powered refrigerating appliance, requires different care than appliances plugged into an electric utility. Prudent operation is the key to extended service.

STARTING THE FRIDGE

After the fridge has been properly connected to the 12 or 24 VDC power source, the compressor will automatically turn on and the cabinet will begin cooling. Allow the cabinet to cool for at least 4 hours prior to adding foodstuff.



FUNCTIONS

POWER

Press and hold the Power button for 1 seconds to turn the appliance off (the compressor, light, fan and display will all turn off.) Press and hold the Mode button for 5 seconds to turn the appliance on (operation and display will function normally.)

FRIDGE +/- TEMPERATURE ADJUSTMENT

Press this button to cycle through fridge temperature settings between +1°C and +7°C. Temperature increases by 1°C ; the cycle restarts at 1°C.

FREEZER +/- TEMPERATURE ADJUSTMENT

Press this button to cycle through freezer temperature settings between -18°C and -12°C. Temperature increases by 1°C ; the cycle restarts at -18°C.

Once the temperature is chosen, the “88” display will flash 5 times, at one second intervals, after which that temperature is automatically set.

CELCIUS & FAHRENHEIT SELECTION

Press and hold both “Fridge” and “Freezer” buttons simultaneously for 3 seconds to switch between Celsius and Fahrenheit.

BATTERY MONITOR

The refrigerator automatically detects voltage. According to its real-time voltage identification, the control panel will display the following:

| | | |
|----------------------|-------------|-----------|
| Power supply voltage | 12V DC | 24V DC |
| Normal voltage range | 10.9V ~ 15V | 22.8V~28V |
| Under voltage alarm | <10.9V | <22.8V |
| Over voltage alarm | >15V | >28V |

OPERATION (continued)

When the alarm LED is lit, a 3-minute beep will sound and the display will show an error code. The refrigerator has a low-voltage shut-off function intended to protect your battery from excessive drain.

- When power supply is 12V DC, the refrigerator will shut off if the voltage drops below 9.7V. UV alarm will resume normal status when voltage reaches 11.6V.
- When power supply is 24V DC, the refrigerator will shut off if the voltage drops below 21.5V. UV alarm will resume normal status when voltage reaches 23.4V.

ERROR CODES

Operational errors will be indicated according to the following chart:

| ERROR CODE | ERROR DESCRIPTION |
|------------|---|
| E1 | Ambient temperature sensor failure |
| E2 | Fridge sensor failure |
| E3 | Freezer sensor failure |
| E4 | Frosting sensor failure |
| HI | Over voltage alarm |
| LO | Under voltage alarm |
| Ed | The fridge door is not closed well. Check and fix it. |
| EC | The appliance has internal communication failure. |
| E6 | Fan failure |
| EP | Power voltage is over 29V; the refrigerator ceases the compressor starting. |
| E7 | Compressor failure. |
| E8 | Compressor starting failure for overload protection. |
| E9 | Compressor starting failure for overheat protection. |

DOOR ALARM

Press and hold the “Mode” button for 3 seconds to activate/deactivate the door alarm function.

Note: the door alarm function will be reactivated if the door is left open for more than 3 minutes and will beep 3 times every 3 minutes until the door is closed. The sound will stop after 10 minutes if the door is not closed.

INTERIOR LIGHT

The interior LED light is situated on the inside ceiling of the fridge compartment, it will turn on when the door of the appliance is opened and will turn off when the door is closed. If the interior light burns out, contact a certified service technician to have it replaced. **Note:** The functionality of the appliance is not affected if the light is not working.

OPERATION (continued)

OPENING AND CLOSING THE DOOR

The doors are fitted with uniform sealing strips to prevent warm air and moisture from entering the fridge and freezer compartments.

Be sure that the doors and door seals are free from obstructions and form a complete seal around the rim of the fridge/freezer cabinets. Over-stuffing and/or unlevel installation of the appliance will prevent a good seal. It might be hard to open the door immediately after the door is closed. This is due to air contraction in the fridge/freezer cabinets. This pressure difference will equalize in a few seconds, making the doors easy to open once again.

LOADING THE FRIDGE AND FREEZER

Avoid packing food too tightly around the cooling plates located on the back wall of the fridge/freezer. Allow air flow around these plates to ensure proper operation.

When adding unfrozen food to the freezer for the first time, fill the freezer only 1/3 full and wait until that food is sufficiently frozen before adding more. Food that is packaged in smaller containers will cool faster; food packages more than 2 inches thick will cool slowly. Avoid placing warm food in contact with cold food.

REPOSITIONING/REMOVING SHELVES AND DRAWERS

- **To position shelf:** slide the shelf out and back in to the desired position, taking care not to drop it.
- **To remove drawer:** slide the drawer out and slightly upwards to remove it. To reinstall the drawer, tilt the drawer slightly downwards to position it on its rails and then push it all the way in.
- **To remove or reposition door racks:** Lift the door rack up and out to remove, and slide it into its new position from the top.

NORMAL OPERATING SOUNDS

- When the compressor is on, you may hear faint gurgling or bubbling sounds as the refrigerant is being pumped through the refrigerant coils, and you will hear a whirring or pulsing sound from the compressor.
- A thermostat controls the compressor and you may hear a 'click' when the thermostat cuts in and out.

WATER CATCH BASIN

Your appliance is "Frost Free" and does not require defrosting. With frost-free operation, any defrosted water will flow from the walls of the fridge compartment through a drain to the water catch basin located at the back of the fridge where it will evaporate.

Note: If the fridge has to be moved, remove any water from the catch basin to eliminate the chance of spills or splashes.



• water catch basin

CARE AND MAINTENANCE

INTERNAL CLEANING

Wash the inside of the appliance with luke warm water and a mild soap. Never use abrasive or corrosive cleaning agents, steel wool, scouring sponges, chemical cleaning agents, or highly perfumed cleaning products to clean the interior as these will damage the surface and leave behind a strong odor. A sponge, towel, or soft brush is recommended. Wash with a mixture of two tablespoons (30ml) of baking soda to 1 quart (1.14L) warm water. After cleaning, wipe all surfaces with a soft cloth and clean water to rinse, and allow the fridge/freezer to dry.

EXTERNAL CLEANING

Wash the outside of the cabinet with warm water and a mild soap or detergent. Do not use abrasive or corrosive cleaning agents, chemical cleaning agents, steel wool or scouring sponges to clean the fridge as it may cause damage to the surfaces. Keep the door gasket clean and dry to ensure a good seal and efficient operation.

POWER FAILURE

Most power failures are corrected within a few hours and should not affect the internal temperature of the appliance if opening the door is kept to a minimum. If the power is going to be off for a longer period of time, take the proper steps to protect the contents.

Note: Wait 3 to 5 minutes before attempting to restart the refrigerator if operation has been interrupted.

VACATION

- Short vacations: Leave the appliance operating during vacations of less than three weeks.
- Long vacations: If the appliance will not be used for several months, remove all items and disconnect the appliance from its power source. Clean and dry the interior thoroughly. To prevent odor and mold growth, leave the door open slightly, blocking it open if necessary.

MOVING

- Remove all items.
- Tape down shelves inside the appliance.
- Turn the adjustable legs up to the base to avoid damage.
- Tape the door shut.
- Be sure the appliance stays in the upright position during transportation. Protect the outside of the appliance with a blanket.
- If the appliance is placed on its back or side during transportation, upon reaching the destination, allow it to remain upright for 6 hours before plugging in to avoid damage to internal components.

CUSTOMER RESPONSIBILITIES

The following items are the responsibility of the customer and are not covered by the warranty:

- Proper care and use of the appliance as described in this manual.
- Damage to the interior or exterior finish or components after delivery.
- Proper power supply, circuit breaker, wiring, and connections.
- Replacement of LED lights. - Contact Unique's technical service department for instructions on how to fix the issue.
- Service required as a result of alteration, misuse, abuse, flooding, fire, lightning, or other acts of God.

FOOD STORAGE

FOOD STORAGE TIPS

- To ensure freshness and reduce odors, make sure that food is properly wrapped or packaged before placing it in the refrigerator.
- For better efficiency, allow hot foods to cool down before putting them in the refrigerator.
- Shelves can be pulled forward to facilitate organizing and accessing food. Slide them back into place before closing the door.
- Do not store bottled food or liquid in the freezer chamber; it expands as it freezes and may cause the bottle to burst.
- The crisper drawer is specially designed to keep fruits and vegetables fresher for longer.



IMPORTANT

This refrigerator is for food use only. It is not designed to store any material requiring a strict temperature requirement, such as medicine, blood, vaccines, etc.

TROUBLESHOOTING

Before contacting a service technician, your local product dealer or Unique Appliances, please check the following points. If you contact a technician to repair a fault listed below, or to repair a fault caused by misuse, abuse, or faulty installation, a charge will be made even if the appliance is under warranty.

| PROBLEM | SOLUTION |
|---|---|
| Appliance is connected to power, but does not operate | <ul style="list-style-type: none"> • Check if 12V or 24V DC is present at the appliance. If not, check all connections and the system battery voltage. • Check that the polarity is correct: positive (+) is connected to positive (+), and negative (-) is connected to negative (-). • Check the fuse. If blown, replace with a new one (see page 11 for details). • The primary problem with a non-functioning appliance is due to a voltage drop to the compressor, which causes the unit to fail to start due to “low voltage”. Typically a connection is not as tight as it should be, or the wire size to the compressor is too small. The low voltage problem occurs instantly at start-up and can be difficult to detect with a volt meter because it happens so quickly (<100ms) |
| Appliance is operating, but the interior (cabinet) is not cold | <ul style="list-style-type: none"> • Allow the appliance at least 4 hrs to cool down once turned on. • Check that the thermostat control knob is turned to the correct setting relevant to the room/ambient temperatures. • Check that the room/ambient temperature is not approaching the internal operating temperature and does not exceed to 100°F (38°C). • Has too much warm food been added to the fridge/freezer recently? If so, it will take some time for the appliance to return to temperature. • Does the cabinet have adequate ventilation around the side walls, allowing it to transfer heat properly? (See Installation section) |
| The door will not open | <ul style="list-style-type: none"> • Has the door just been opened? If so, leave the appliance closed for a few minutes to allow the air pressure to equalize and try again. |

TROUBLESHOOTING (continued)

| | |
|--|---|
| Excessive frost and ice has built up | <ul style="list-style-type: none"> • Is the weather hot and humid? If so, this will increase the rate of frost build-up in the cabinet. • Ensure that stored food is properly packaged. • Check that the door is closed and has a good seal, and that nothing is preventing the door from closing properly. • Large quantities of food have recently been placed in the fridge/freezer, and/or the door is frequently opened. • Ensure that proper care and maintenance of the appliance has been performed (cleaning, defrosting, etc...) |
| Noise | <ul style="list-style-type: none"> • Refer to “Normal Operating Sounds” (page 9) • Ensure that the refrigerator is level - an unlevel fridge may produce noise during operation. • Make sure that the fridge is not touching anything; ensure the fridge has been installed with proper clearances. |
| Light does not work | <ul style="list-style-type: none"> • Contact Unique’s technical service department for instructions on how to fix the issue. |
| Heat dissipation | <ul style="list-style-type: none"> • There is an anti-condensate tube on the front frame which will vent heat during refrigerator operation - this is normal. |
| Moisture forms on the outside of the fridge | <ul style="list-style-type: none"> • The door has been opened too frequently, or for too long. Ensure door is properly shut. • The external environment is very humid. • The fridge temperature is set too low - increase fridge temperature. |
| The door doesn’t seal properly, or there is a cool air leak | <ul style="list-style-type: none"> • The door seal may be hardened or deformed. Soften the door seal by applying a hot towel to the deformed surface or warming it with the hot air from a hair dryer, and then close the door tightly to reshape the seal. |
| The fridge is not cool enough | <ul style="list-style-type: none"> • The fridge is exposed to sunshine or a heat source - ensure fridge is positioned correctly. • Temperature is set too high - decrease fridge temperature. • A large amount of warm or hot food was recently stored. Wait for the fridge to cool back down to its set temperature. • Bottles and food packages are impairing cool air circulation - arrange bottles and food with more space to allow for better circulation. • The fridge is frequently opened, has been open too long, or is not properly closed. |
| Food is freezing in the fridge compartment | <ul style="list-style-type: none"> • The fridge temperature is set too low - increase fridge temperature. • Is food placed too close to the sensor? • Is food placed too close to the air outlets? |
| There is an odor in the fridge | <ul style="list-style-type: none"> • A new fridge may give off the odor of the insulation or its construction materials. This smell will dissipate with use. • Check if there is any spoiled food in the fridge. Clean the fridge on a regular basis. • Thoroughly package and seal strong smelling food. |

WARRANTY

Unique Appliances Ltd. (hereafter "Unique") warrants that this UNIQUE freezer is free from manufacturer's defects in material and workmanship under normal usage and service under the following terms.



TERMS OF WARRANTY

Plastic parts are warranted for thirty (30) days from the date of purchase, with no extensions provided.

Parts Warranty

This appliance has been designed for domestic household use. If properly installed, adjusted and operated under normal conditions in accordance with printed instructions, it will satisfactorily perform the functions that are generally expected of this type of appliance. If the appliance fails to do so because of a defect in material or workmanship within **one year** from the original date of purchase: Unique will at our option, repair, exchange, or correct by other means Unique consider appropriate, any part(s) Unique finds to be defective except for the surface finish.

Ownership

This Warranty is made only to the first purchaser ("original purchaser") who acquires this freezer for his/her own use and will be honored by Unique Appliances Ltd. and by the Seller. Purchaser must retain their receipt as proof of purchase date.

Warranty Conditions

This warranty does not apply to any appliance that has been subjected to alterations, misuse, abuse (including damage by foreign agents or chemicals), accident, improper installation or service, delivery damage, or other than normal household use and service. This UNIQUE appliance must be serviced regularly as outlined in the Owner's Manual. Neither Unique Appliances Ltd. nor the selling dealer will be liable for direct or indirect loss of foods caused by failure in operation. In case of damage, the owner must provide proof of purchase, Model, and Serial Number to the selling dealer or Unique Appliances Ltd. This warranty is LIMITED STRICTLY to the terms indicated herein, and no other expressed warranties or remedies thereunder shall be binding on Unique.

Purchaser's Responsibilities

The purchaser will be responsible for the costs of any service calls requested to demonstrate or confirm the proper operation of the appliance, the installation, or to correct malfunctions in the appearance created by the operation of the appliance in a manner not prescribed by or cautioned against in the use and care instructions.

Model and Serial Number

The appliance model number and serial number can be found on a rating plate attached inside the freezer. The purchaser should always refer to the model and serial number when talking to or contacting the dealer from whom the appliance was purchased.

EXCLUSIONS

Save as herein provided, by Unique, there are no other warranties, conditions, representations or guarantees, express or implied, made or intended by Unique or its authorized distributors and all other warranties, conditions, representations or guarantees, including any warranties, conditions, representations or guarantees under any Sale of Goods Act or like legislation or statute is hereby expressly excluded. Save as herein provided, Unique shall not be responsible for any damages to persons or property, including the unit itself, howsoever caused or any consequential damages arising from the malfunction of the unit and by the purchase of the unit, the purchaser does hereby agree to indemnify and hold harmless Unique from any claim for damages to persons or property caused by the unit.

Removal or disfigurement of the serial plate will void the warranty. The purchaser will be responsible for any expenses involved in making the refrigerator readily accessible for servicing. The purchaser will be responsible for any extra charges where the installation is in a remote location such as un-assumed roads, islands, areas known as cottage country, more than 75 km outside a metropolitan area, or where a technician is not available. Freight damage is not covered by this warranty.

GENERAL PROVISIONS

No warranty or insurance herein contained or set out shall apply when damage or repair is caused by any of the following:

- 1) Power failure.
- 2) Damage in transit or when moving the appliance.
- 3) Improper power supply such as low voltage, defective house wiring or inadequate fuses.
- 4) Accident, alteration, abuse or misuse of the appliance such as inadequate air circulation in the room or abnormal operating conditions (ie. extremely high or low room temperature).
- 5) Use for commercial or industrial purposes (ie. If the appliance is not installed in a domestic residence).
- 6) Fire, water damage, theft, war, riot, hostility, acts of God such as hurricanes, floods etc.
- 7) Service calls resulting in customer education.
- 8) Improper Installation (ie. Building-in of a free standing appliance or using an appliance outdoors that is not approved for outdoor application, including but not limited to: garages, patios, porches or anywhere that is not properly insulated or climate controlled).

Proof of purchase date will be required for warranty claims; retain bills of sale. In the event that warranty service is required, present the proof of purchase to our authorized service depot.

Nothing within this warranty shall imply that Unique will be responsible or liable for any spoilage or damage to food or other contents of this appliance, whether due to any defect of the appliance, or its use, whether proper or improper.

Factory Assistance

If the purchaser is unable to locate an authorized dealer/service agent, or if the purchaser does not receive satisfaction from the dealer, they may contact Unique Appliances Customer Service directly at Toll Free 1-877-427-2266 or 905-827-6154.

APPLIANCE INFORMATION

(Manual copy - Keep with your records)

To make care and servicing of your fridge easy and efficient, please record the following information for future reference:

Model:

Serial Number:

Purchased From:

Date Purchased:

NOTES

PRODUCT REGISTRATION

Please visit our website at <https://uniqueappliances.com/product-registration/> to register your product.

CONTACT US

For questions related to the operation, safety or the purchase of your fridge, please contact your dealer for more information. For general information, contact our customer service department:



Email

info@UniqueAppliances.com



Toll-free

1-877-427-2266 or 1-905-827-6154
available during regular business hours,
8:30 am to 4:30 pm, EST.



Website

www.uniqueappliances.com

UNIQUE[®]
APPLIANCES

© 2024 Unique Appliances Ltd., 2245 Wycroft Road,
Oakville, Ontario, Canada, L6L 5L7

www.UniqueAppliances.com