

# UNIQUE<sup>®</sup>

APPLIANCES

== *Classic* ==  
by UNIQUE

## BOTTOM MOUNT REFRIGERATOR

---

**MODEL NUMBERS:** UGP-330L W AC ,UGP-330L B AC,  
UGP-330L RB AC, UGP-330L LG AC, UGP-330L T AC



**Intertek**  
5013515

---

### OWNER'S GUIDE

serial number:

JUN21V1

# TABLE OF CONTENTS

03	Important safety notes	15	Warranty
04	Grounding instructions	16	Appliance information...
05	Installation instructions	16	Notes
07	Product features	16	Product registration
08	Operation	16	Contact us
10	Care and maintenance		
11	Energy saving tips		
11	Troubleshooting		
12	Electrical diagram		
13	Parts diagram		
14	Parts list		

## WELCOME

**Congratulations!** You have purchased one of the most efficient refrigeration products available on the market today. We are proud of our quality products and we believe in the dependable service we provide.

Before using the appliance, read through this manual carefully including all the information on safety, installation, operation, and cleaning. These guidelines do not cover every possible condition or situation that may occur. Be safe using common sense and caution when installing, operating and cleaning this appliance. If you are unsure about any of these instructions or warnings, contact your local product dealer or Unique Appliances for assistance.

## NEED HELP?

Before you call for service, here are a few things you can do to help us serve you better.

**Read this owner's manual:** It contains instructions to help you use and maintain your appliance properly.

**Visit our website:** Our website [www.UniqueAppliances.com](http://www.UniqueAppliances.com) will give you access to self service tools, FAQs and much more.

**If you receive a damaged appliance:** Immediately contact the retailer that sold you the appliance.

**Save time and money:** Check the troubleshooting section at the end of this manual before calling. This section will help you solve common problems that may occur.

# IMPORTANT SAFETY NOTES

**These warnings are provided in the interest of your safety. Please ensure that you understand them all before installing or using this fridge. Your safety is of paramount importance. If you are unsure about any of these meanings or warnings, contact your local product dealer or Unique Appliances for assistance.**

**IMPORTANT:** After transit where the fridge has been on its side or back, ensure that the fridge is in a level, upright position for 12 hours to allow compressor fluids to redistribute evenly before use.

## **PRIOR TO INSTALLATION**

At delivery, please check that the fridge is complete and has not been damaged during transport. It is not advised to connect an appliance that has been damaged, especially damage to the electrical supply cable or refrigerant circuit. In the event of damage please contact your local product dealer or Unique Appliances for assistance.

## **DANGER**

- Risk of fire or explosion. Flammable refrigerant used. Do not puncture refrigerant tubing.
- Do not use mechanical devices to defrost refrigerator.
- Ensure that servicing is done by factory authorized service personnel, to minimize product damage or safety issues.
  
- **WARNING:** Keep ventilation openings, in the appliance enclosure or in the built-in structure, clear of obstruction.
- **WARNING:** Do not use mechanical devices or other means to accelerate the defrosting process, other than those recommended by the manufacturer.
- **WARNING:** Do not damage the refrigerant circuit.
- **WARNING:** Do not use electrical appliances inside the food storage compartments of the appliance, unless they are of the type recommended by the manufacturer.
- **WARNING:** Risk of child entrapment. Before you throw away your old refrigerator or freezer:
  - Take off the doors.
  - Leave the shelves in place so that children may not easily climb inside.

## **CAUTION**

- Risk of fire or explosion. Flammable refrigerant used.
- Consult repair manual or owner's guide before attempting to service this product. All safety precautions must be followed. Service the fridge/freezer only if you are a trained or authorized refrigeration technician.
- Dispose of properly in accordance with federal or local regulations.
- Follow handling instructions carefully.

## **IMPORTANT**

- To allow the interior to cool down properly, run the fridge for at least 4 hours empty before adding food.
- This fridge is designed for domestic use only! It is intended for the storage of edible/consumable food and drinks. It is not intended for commercial or industrial use.
- Never use excessive force on the handle to open the door.
- If the room/ambient temperature approaches the fridge's operating temperature, the fridge may not function correctly. If the room/ambient temperature exceeds 100°F (38°C) the fridge may not function correctly.

## IMPORTANT SAFETY NOTES

**CHILD SAFETY:** Do not allow children to play in, on or around the fridge. It is not a toy. **THERE IS A DANGER OF SUFFOCATION IF A CHILD BECOMES TRAPPED INSIDE.** When the appliance is not in use, secure or remove the doors to prevent children from playing inside the cabinets.

### **DANGER**

- Risk of child entrapment. Before throwing away an old appliance:
- Remove the door or lid.
- Leave shelves in place so that children may not easily climb inside.
- Cleaning and use maintenance shall not be made by children without supervision.

**DANGER OF SUFFOCATION:** Keep children away from all packaging material.

**This appliance is not intended for use by persons (including children) whose physical, sensory or mental capabilities may be different or reduced, or who lack experience or knowledge, unless such persons receive supervision or training to operate the appliance by a person responsible for their safety.**

### **DISPOSING OF THE APPLIANCE**

When disposing of your fridge, use an authorized disposal site. The refrigerant must be completely drained and collected by an authorized technician for recycling prior to disposal. Check with your local Environmental Agency for recommendations on recycling this appliance in your area. Before disposal remove the electrical connection wiring and also ensure that the doors are removed to prevent children from being trapped inside - **DANGER OF SUFFOCATION!**

This marking indicates that this product should not be disposed with other household wastes throughout North America. To prevent possible harm to the environment or human health from uncontrolled waste disposal, recycle it responsibly to promote the sustainable reuse of material resources.



## GROUNDING INSTRUCTIONS

This appliance must be grounded. Grounding reduces the risk of electrical shock by providing an escape wire for the electrical current.

This appliance has a cord that has a grounding wire with a 3-prong plug. The power cord must be plugged into an outlet that is properly grounded. If the outlet is a 2-prong wall outlet, it must be replaced with a properly grounded 3-prong wall outlet. The serial rating plate indicates the voltage and frequency the appliance is designed for.

**WARNING** - Improper use of the grounding plug can result in a risk of electric shock. Consult a qualified electrician or service agent if the grounding instructions are not completely understood, or if doubt exists as to whether the appliance is properly grounded. Do not connect your appliance to extension cords or together with another appliance in the same wall outlet. Do not splice the power cord. Do not under any circumstances cut or remove the third ground prong from the power cord. Do not use extension cords or ungrounded (two prongs) adapters.

If the power supply cord is damaged, it must be replaced by the manufacturer, its service agent or similar qualified person in order to avoid hazard.

# INSTALLATION INSTRUCTIONS

**IMPORTANT:** After transit where the fridge has been on its side or back, ensure that the fridge is in a level, upright position for 12 hours before connecting the appliance to a power source, this will reduce the possibility of a malfunction in the cooling system from handling during transportation..

## UNPACKING AND CLEANING

Remove all packaging and securing tapes from the appliance. To avoid injury and causing damage to the appliance, be extremely cautious when using sharp or pointed tools to complete this task. Keep children away from the packaging material - **DANGER OF SUFFOCATION!** Wash the inside and outside of the appliance with luke warm water and a mild soap or detergent. Abrasive or corrosive cleaning agents, steel wool, scouring sponges, or chemical cleaning agents should not be used under any circumstances. A sponge, soft brush or towel is recommended. After cleaning, thoroughly rinse and dry. You may want to leave the doors open allowing the compartments to ventilate for 20-30 minutes to get rid of residual odors. Check with your local Environmental Agency for recommendations on recycling packaging materials in your area.

## INSTALLATION

- This appliance is heavy. Care should be taken when moving it.
- Be sure that the appliance does not stand on the electrical supply cable. Also, be sure the electrical cable is not squeezed or bent when the appliance is being installed or moved.
- Do not install the appliance near water, for example in a wet basement or near a sink.
- Installation work and adjustments on the appliance must be carried out by qualified personnel only. Work performed by persons with inadequate technical knowledge may adversely effect the performance of the appliance, causing damage to the equipment, and void the warranty.
- It is dangerous to make alterations or attempt to modify this product in any way. Product alterations will void the warranty.

## USE

- This appliance is intended for household use only. It is not designed for outside installation, including anywhere that is not temperature controlled (garages, porches, vehicles, etc.).
- Do not store any containers with flammable vapors or liquids in or around the appliance, such as organic solvents, spray cans, gas cans, etc. Danger of explosion!

## CLEANING

- Before cleaning your appliance always disconnect it from the electrical power supply.
- Allow inside of fridge/freezer to fully thaw, then wash the inside and outside of the appliance with luke warm water and a mild soap or detergent. Abrasive or corrosive cleaning agents, steel wool, scouring sponges, or chemical cleaning agents should not be used under any circumstances.

## SERVICING

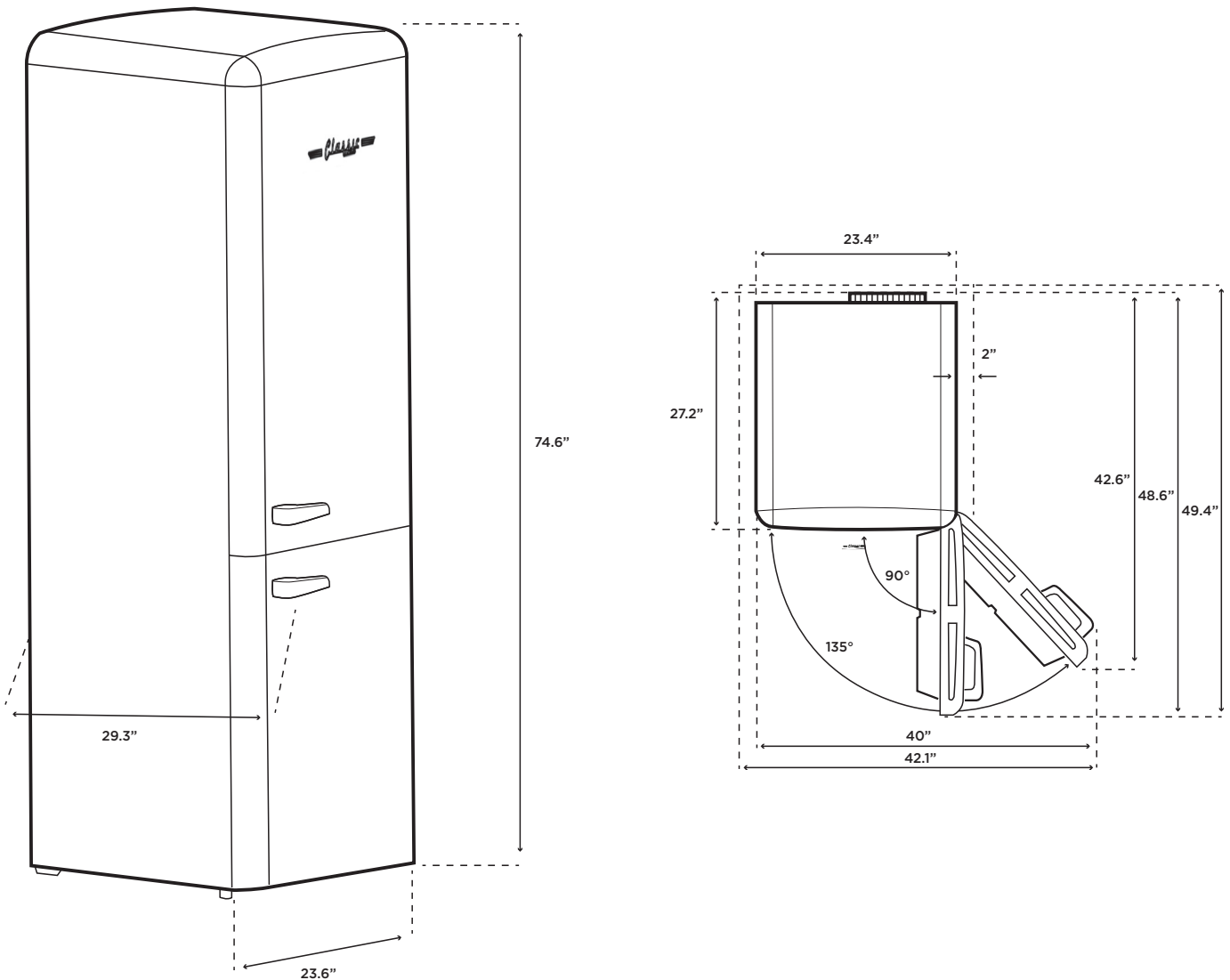
- This product should be serviced by an authorized technician and only genuine spare parts should be used.
- Under no circumstances should you attempt to repair the appliance yourself unless advised by Unique. Repairs carried out by inexperienced persons may cause injury or serious malfunctioning of the appliance. Unauthorized work may void the warranty.

# INSTALLATION INSTRUCTIONS

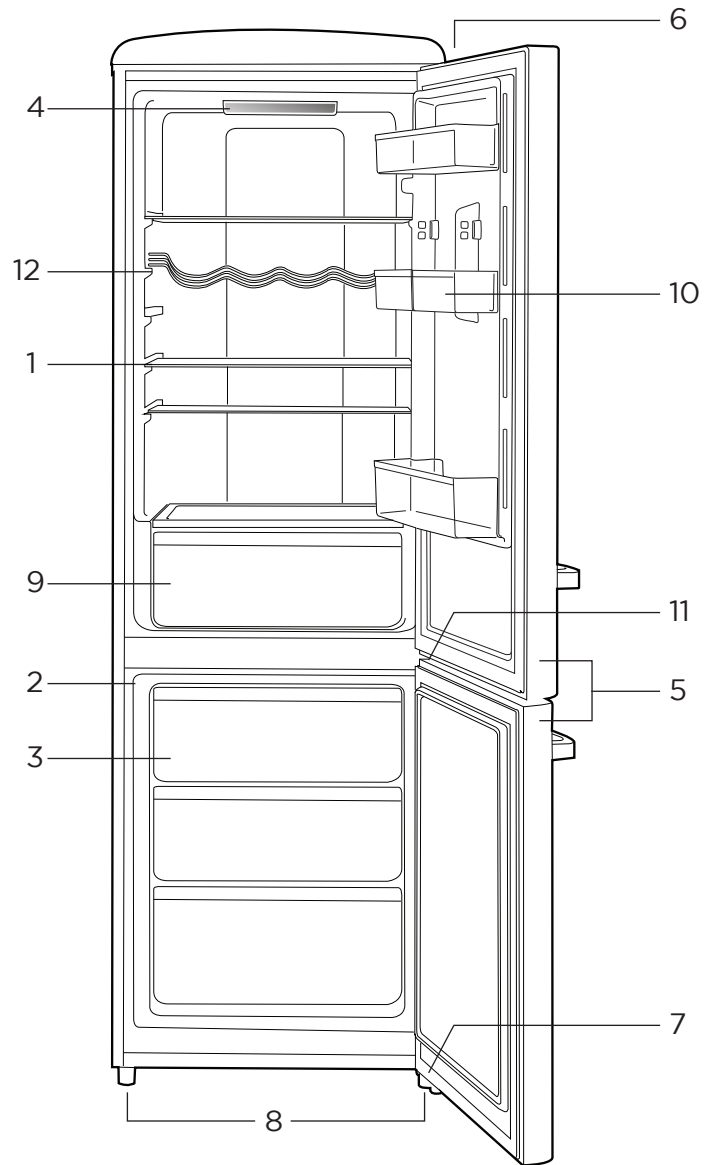
## POSITIONING THE APPLIANCE

The area in which the fridge is to be installed must be relatively cool, dry, and suitably ventilated. The area must be protected against any inclement weather (rain, snow) and excessive surface dust. To ensure proper function, the appliance must be placed on a flat, firm, and stable surface resting level on all four supports. The floor must be strong enough to support a fully loaded cabinet. Use wood or metal shims to level the fridge if necessary. Do not place the appliance in direct sunlight or near sources of heat, such as a stove or heater, as this can increase electrical consumption. Extreme cold ambient temperatures may also cause the appliance to perform improperly.

Do not place the fridge close to heat sources (heater, stove, boiler, chimney, etc.), and avoid prolonged exposure to direct sunlight. This appliance uses the exterior walls to transfer heat from the inside of the cabinet. Ensure that there is adequate space between the fridge and neighboring walls or large objects. **A minimum spacing of 3 inches (7.6 cm) is highly recommended.** This will provide sufficient airflow around the appliance resulting in more efficient operation and longer appliance lifetime. Always keep the air vent openings of the compressor housing cover free from dust and obstructions. This appliance is intended for free-standing installation only and is not intended to be built into a cabinet or counter.



# PRODUCT FEATURES



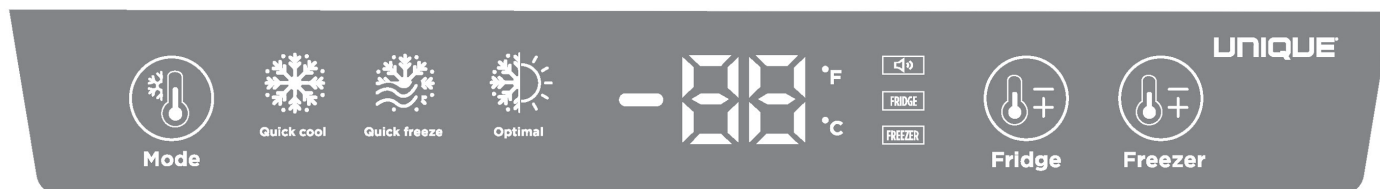
## FEATURES:

- |                        |                           |
|------------------------|---------------------------|
| 1: Shelf               | 8: Adjustable feet        |
| 2: Freezer compartment | 9: Crisper                |
| 3: Freezer drawers     | 10: Detachable door shelf |
| 4: Control panel       | 11: Middle hinge          |
| 5: Doors               | 12: Wine rack             |
| 6: Upper hinge         |                           |
| 7: Lower hinge         |                           |

# OPERATION

## STARTING THE FRIDGE

After the fridge has been properly connected to a power source, the compressor will automatically turn on and the cabinet will begin cooling. Allow the cabinet to cool for at least 4 hours prior to adding food stuff.



## OPERATION

Tap any key for the first time and the control panel will be activated. If there is no button selection for one minute, the LED display will automatically go off.

### MODE

Tap the “Mode” button to select your desired operation mode. Available modes are: Quick Cool, Quick Freezer and Optimal.

### QUICK COOL

The fridges temperature will be set to 2° and will run for 12 hours. After 12 hours, this mode will automatically disable and resume normal operation.

### QUICK FREEZE

The freezers temperature will be set to -22° and will run for 24 hours. After 24 hours, this mode will automatically disable and resumre normal operation. **Note:** Quick cool mode does not change the Quick Freezer mode.

### OPTIMAL

Tapping the “Optimal” button will adjust the fridge temperature to 2° and the freezer temperature ito -22°. If press any button other mode or temperature is selected the “Optimal” mode will be disabled.

### FRIDGE +/-

Tap the “Fridge +/-” button to adjust the temperature of your fridge. **Note:** The temprature range for the fridge is 1°C to 7°C.

### FREEZER +/-

Tap the “Freezer +/-” button to adjust the temperature of your freezer. **Note:** The temprature range for the freezer is -14°C to -22°C.

When desired temperature is selected the numbers will flash 5 times to confirm. If another mode is selected during that period switched during the flashing period, swtich will take effect immediately.

## CELCIUS & FAHRENHEIT SELECTION

Press and hold down the “Fridge +/-” and the “Freezer +/-” button to switch between celcius and fahrenheit.

## DOOR ALARM

Press and hold the “Mode” button for 3 seconds to disable the door alarm function. **Note:** the door



# OPERATION

alarm function will be reactivated if the door is left open for more than 3 minutes and will beep 3 times every 3 minutes until the door is closed. The sound will stop after 10 minutes if the door is not closed.

## INTERIOR LIGHT

The interior LED light is situated on the inside ceiling of the fridge compartment, it will turn on when the door of the appliance is opened and will turn off when the door is closed. If the interior light burns out, contact a certified service technician to have it replaced. **Note:** The functionality of the appliance is not affected if the light is not working.

## LEVELING INSTRUCTIONS

There are adjustable legs on the bottom of the front of the appliance that can be turned up or down to ensure that the appliance is level.

1. Turn the leveling leg counter-clockwise as far as it will go, until the top of the foot is touching the bottom of the cabinet.
2. Slowly turn the leveling leg clockwise until the appliance is level.

## OPENING AND CLOSING THE DOOR

The doors are fitted with uniform sealing strips to prevent warm air and moisture from entering the fridge and freezer compartments.

Be sure that the doors and door seals are free from obstructions and form a complete seal around the rim of the fridge/freezer cabinets. Over-stuffing and/or unlevel installation of the appliance will prevent a good seal. It might be hard to open the door immediately after the door is closed. This is due to air contraction in the fridge/freezer cabinets. This pressure difference will equalize in a few seconds, making the doors easy to open once again.

## LOADING THE FRIDGE AND FREEZER

Avoid packing food too tightly around the cooling plates located on the back wall of the fridge/freezer. Allow air flow around these plates to ensure proper operation.

When adding unfrozen food to the freezer for the first time, fill the freezer only 1/3 full and wait until that food is sufficiently frozen

before adding more. It will also help to cool food more quickly if the food is packaged in smaller containers rather than large ones. Food packages more than 2 inches thick will cool slowly. Avoid placing warm food in contact with cold food.

## NORMAL OPERATING SOUNDS

- You may hear faint gurgling or bubbling sounds when the refrigerant is being pumped through the refrigerant coils.
- When the compressor is on, the refrigerant is being pumped through the appliance and you will hear a whirring or pulsing sound from the compressor.
- A thermostat controls the compressor and you may hear a 'click' when the thermostat cuts in and out.

**IMPORTANT:** Your appliance is "Frost Free" and does not require defrosting

## WATER CATCH BASIN

There is a water catch basin located at the back of the fridge for excess water. With frost free water will flow from the walls of the fridge compartment through the defrost water drain down into the catch basin. The hot condenser coil runs into the water catch basin and evaporates the water slowly: **Note:** if the fridge has to be moved after some time, it would be best to remove the water from the catch basin first..

# CARE AND MAINTENANCE

## INTERNAL CLEANING

Wash the inside of the appliance with luke warm water and a mild soap. Never use abrasive or corrosive cleaning agents, steel wool, scouring sponges, chemical cleaning agents, or highly perfumed cleaning products to clean the interior as these will damage the surface and leave behind a strong odor. A sponge, towel, or soft brush is recommended. Wash with a mixture of two tablespoons (30ml) of baking soda to 1 quart (1.14L) warm water. After cleaning, wipe all surfaces with a soft cloth and clean water to rinse, and allow the fridge/freezer to dry.

## EXTERNAL CLEANING

Wash the outside of the cabinet with warm water and a mild soap or detergent.

Do not use abrasive or corrosive cleaning agents, chemical cleaning agents, steel wool or scouring sponges to clean the fridge as it may cause damage to the surfaces.

## POWER FAILURE

Most power failures are corrected within a few hours and should not affect the internal temperature of the appliance if the number of times the door is opened is kept to a minimum. If the power is going to be off for a longer period of time, take the proper steps to protect the contents.

**Note:** Wait 3 to 5 minutes before attempting to restart the refrigerator if operation has been interrupted.

## VACATION

- Short vacations: Leave the appliance operating during vacations of less than three weeks.
- Long vacations: If the appliance will not be used for several months, remove all items and disconnect the appliance from its power source. Clean and dry the interior thoroughly. To prevent odor and mold growth, leave the door open slightly, blocking it open if necessary.

## MOVING

- Remove all items.
- Tape down shelves inside the appliance.
- Turn the adjustable leg up to the base to avoid damage.
- Tape the door shut.
- Be sure the appliance stays in the upright position during transportation. Protect the outside of the appliance with a blanket.
- If the appliance is placed on its back or side during transportation, upon reaching the destination, allow it to remain upright for 6 hours before plugging in to avoid damage to internal components.

## CUSTOMER RESPONSIBILITIES

The following items are the responsibility of the customer and are not covered by the warranty: • Proper care and use of the appliance as described in this manual. • Damage to the interior or exterior finish or components after delivery.

- Proper power supply, circuit breaker, wiring, and connections.
- Replacement of LED lights. - Contact Unique's technical service department for instructions on how to fix the issue.
- Service required as a result of alteration, misuse, abuse, flooding, fire, lightning, or other acts of God.

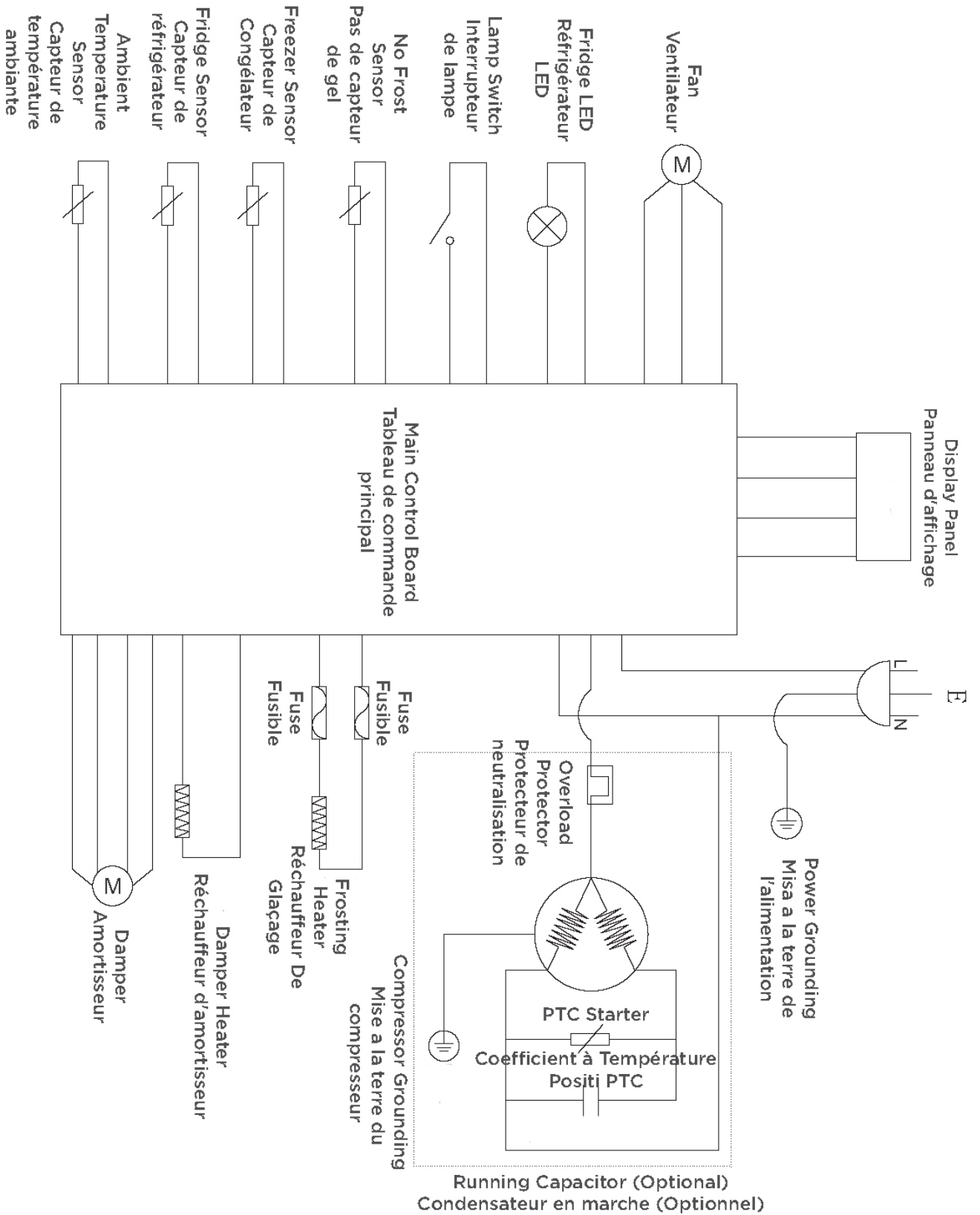
## ENERGY SAVING TIPS

- Do not install the fridge close to sources of heat, such as a stove, boiler, heater, chimney, etc, and avoid exposure of the appliance to direct sunlight.
- Locate the appliance in a cool well-ventilated room and make sure that the air vents of the compressor housing cover are not obstructed. Also allow adequate spacing around the cabinet for air circulation (3" or 7.5cm)
- Avoid unnecessary frosting in the cabinet by packing all food and liquids in airtight packages or containers.
- Always keep food stored in tightly sealed packaging or containers, and allow some space for air to circulate around each item.
- Avoid keeping the door open for extended periods of time or opening the door too frequently as warm air will enter the cabinet and cause the compressor to run unnecessarily often.
- Ensure there are no obstructions preventing the doors from closing properly and forming a tight seal.
- To ensure a safe food storage temperature, maintain an operating temperature inside the fridge cabinet of 2°C/36°F to 4°C/39°F. Fridge temperatures warmer than 4°C/39°F can promote unsafe bacterial growth in food.

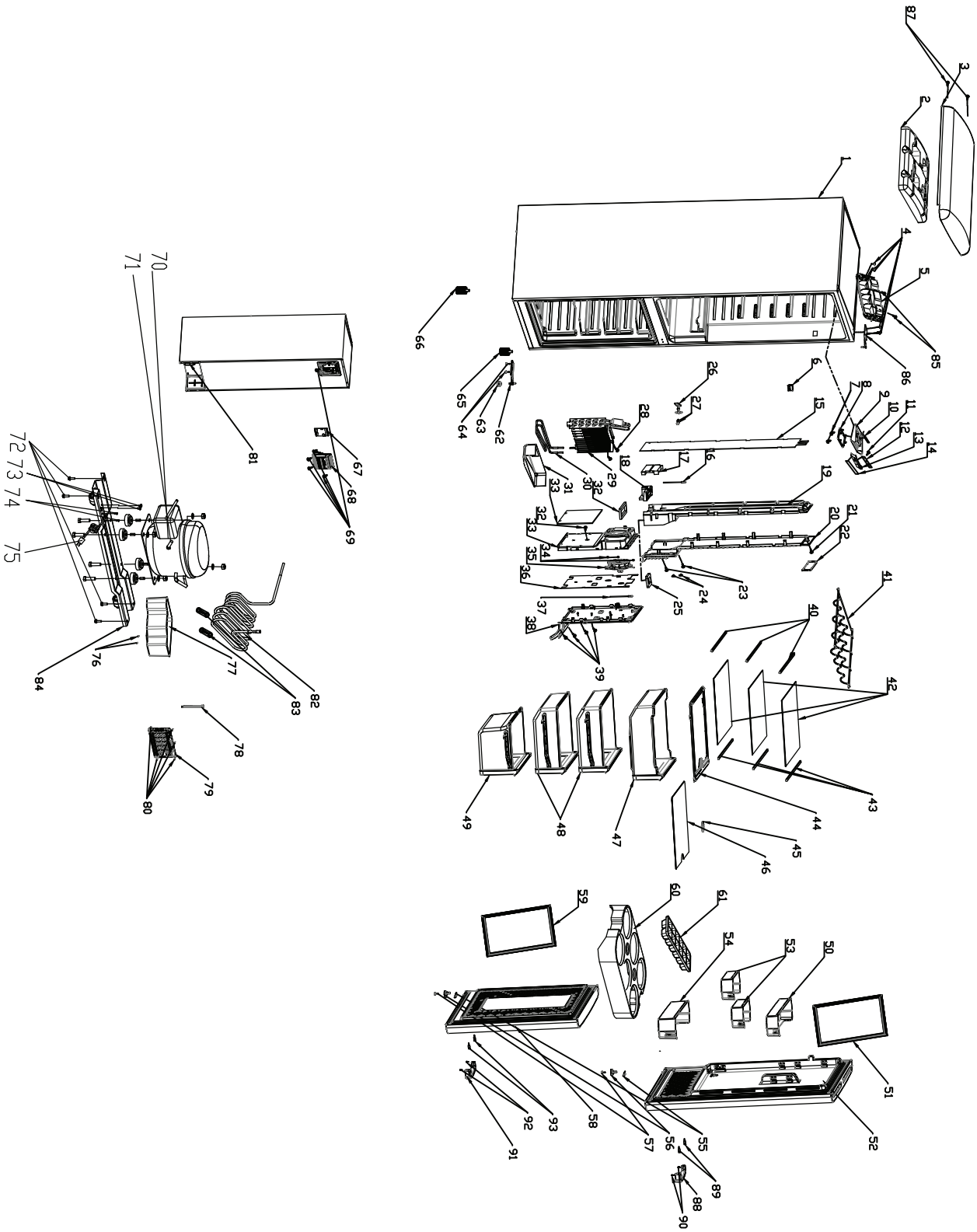
## TROUBLESHOOTING

PROBLEM	SOLUTION
Appliance is connected but no power	<ul style="list-style-type: none"> <li>• Check your circuit breaker as it might have tripped</li> <li>• Plug not fully inserted into the wall outlet</li> </ul>
Appliance is operating, but the interior (cabinet) is not cold	<ul style="list-style-type: none"> <li>• Allow the appliance at least 4 hrs to cool down once turned on.</li> <li>• Check that the thermostat control knob is turned to the correct setting relevant to the room/ambient temperatures.</li> <li>• Check that the room/ambient temperature is not approaching the internal operating temperature and does not exceed to 100°F (38°C).</li> <li>• Has too much warm food been added to the fridge/freezer recently? If so, it will take some time for the appliance to return to temperature.</li> <li>• Does the cabinet have adequate ventilation around the side walls, allowing it to transfer heat properly? (See Installation section)</li> </ul>
Appliance runs continuously	<ul style="list-style-type: none"> <li>• Temperature setting is too cold</li> <li>• Door not shut properly or opened excessively</li> <li>• Recently added a large quantity of warm food to the cabinet</li> <li>• Close proximity to heat source or direct sunlight</li> <li>• Ambient temperature or humidity is very high</li> </ul>
The door will not open	<ul style="list-style-type: none"> <li>• Has the door just been opened? If so, leave the appliance closed for a few minutes to allow the air pressure to equalize and try again.</li> </ul>
Excessive frost and ice has built up	<ul style="list-style-type: none"> <li>• Is the weather hot and humid? If so, this will increase the rate of frost build-up in the cabinet.</li> <li>• Ensure that stored food is properly packaged.</li> <li>• Check that the door is closed and has a good seal, and that nothing is preventing the door from closing properly.</li> <li>• Large quantities of food have recently been placed in the fridge/freezer, and/or the door is frequently opened.</li> <li>• Ensure that proper care and maintenance of the appliance has been performed (cleaning, defrosting, etc...)</li> </ul>
Noise	<ul style="list-style-type: none"> <li>• Refer to "Normal Operating Sounds" (page 8)</li> </ul>
Light does not work	<ul style="list-style-type: none"> <li>• Contact Unique's technical service department for instructions on how to fix the issue.</li> </ul>

# ELECTRICAL DIAGRAM



# PARTS DIAGRAM



Please visit our website [www.uniqueappliances.com](http://www.uniqueappliances.com) to view a PDF version of the schematics which will allow you to zoom in & out

# PARTS LIST

NO.	QTY	PART NUMBER	DESCRIPTION
1	1	N/A	N/A
2	1	UGP-BCD330-09-00	UGP-330L Top Cover Foam Insert
3	1	UGP-BCD330-60-00W	UGP-330L Top Cover White
		UGP-BCD330-60-00B	UGP-330L Top Cover Black
		UGP-BCD330-60-00T	UGP-330L Top Cover Turquoise
		UGP-BCD330-60-00LG	UGP-330L Top Cover Light Green
		UGP-BCD330-60-00RB	UGP-330L Top Cover Robin Egg Blue
4	6	N/A	N/A
5	1	UGP-BCD330-10-00W	UGP-330L Top Cover Support White
		UGP-BCD330-10-00B	UGP-330L Top Cover Support Black
		UGP-BCD330-10-00T	UGP-330L Top Cover Support Turquoise
		UGP-BCD330-10-00LG	UGP-330L Top Cover Support Light Green
		UGP-BCD330-10-00RB	UGP-330L Top Cover Support Robin Egg Blue
6	1	N/A	N/A
7	2	N/A	N/A
8	1	UGP-BCD328330-21-02	UGP-328L/330L Lamp Cover
9	1	UGP-BCD328330-21-01	UGP-328L/330L Lamp Base
10	1	UGP-BCD328330-DJ00-004	UGP-328L/330L Lamp Board
11	1	N/A	N/A
12	1	UGP-BCD328330-DJ00-003	UGP-328L/330L Display Panel
13	1	UGP-BCD328330-22-01	UGP-328L/330L Display Panel Base
14	1	UGP-BCD328330-22-02	UGP-328L/330L Display Panel Decal
15	1	UGP-BCD328330-03-05	UGP-328L/330L Fridge Foam Air Duct Insulation
16	1	UGP-BCD328330-DJ00-006	UGP-328L/330L Fridge Temperature Sensor
17	1	UGP-BCD328330-03-03	UGP-328L/330L Air Duct Foam
18	1	UGP-BCD328330-DJ00-005	UGP-328L/330L Air Damper
19	1	UGP-BCD328330-03-02	UGP-328L/330L Air Duct
20	1	UGP-BCD328330-03-01	UGP-328L/330L Fridge Air Duct Decorative Cover
21	1	N/A	N/A
22	1	UGP-BCD328330-03-07	UGP-328L/330L Air Duct Access Door
23	2	N/A	N/A
24	2	UGP-BCD328330-25-00	UGP-328L/330L Screw Cover
25	1	UGP-BCD328330-03-06	UGP-328L/330L Fridge Air Duct EPDM
26	1	UGP-BCD328330-18-00	UGP-328L/330L Middle Hinge
27	2	N/A	N/A
28	2	N/A	N/A
29	1	UGP-BCD328330-ZL00-05	UGP-328L/330L Evaporator
30	1	UGP-BCD328330-DJ00-010	UGP-328L/330L Defrost Heater
31	1	UGP-BCD328330-26-00	UGP-328L/330L Drip Tray
32	1	UGP-BCD328330-07-04	UGP-328L/330L Freezer Air Duct EPDM
33	1	UGP-BCD328330-07-05	UGP-328L/330L Freezer Air Duct XPE Insulation
34	3	N/A	N/A
35	1	UGP-BCD328330-WD09-01A	UGP-328L/330L Air Duct Fan
36	1	UGP-BCD328330-07-03	UGP-328L/330L Freezer Foam Air Duct Insulation
37	1	UGP-BCD328330-WD03-06A	UGP-328L/330L Freezer Temperature Sensor
38	1	UGP-BCD328330-07-01	UGP-328L/330L Freezer Air Duct Decorative Cover
39	4	N/A	N/A
40	3	N/A	N/A
41	1	UGP-BCD328330-07-00	UGP-328L/330L Wine Rack
42	3	UGP-BCD328330-04-01	UGP-328L/330L Glass Shelf with Trim
43	3	N/A	N/A
44	1	UGP-BCD328330-05-03	UGP-328L/330L Crisper Cover Glass Shelf with Air Damper
45	1	N/A	N/A

NO.	QTY	PART NUMBER	DESCRIPTION
46	1	N/A	N/A
47	1	UGP-BCD328330-06-00	UGP-328L/330L Fridge Crisper Drawer
48	2	UGP-BCD328330-11-00	UGP-328L/330L Freezer Upper Crisper Drawer
49	1	UGP-BCD328330-12-00	UGP-328L/330L Freezer Bottom Crisper Drawer
50	1	UGP-BCD328330-20-00	UGP-328L/330L Fridge Door Upper Balcony
51	1	UGP-BCD328330-6001-06	UGP-328L/330L Fridge Door Seal
52	1	UGP-BCD330-6001-00W	UGP-330L Fridge Door White
		UGP-BCD330-6001-00B	UGP-330L Fridge Door Black
		UGP-BCD330-6001-00T	UGP-330L Fridge Door Turquoise
		UGP-BCD330-6001-00LG	UGP-330L Fridge Door Light Green
53	2	UGP-BCD328330-23-00	UGP-328L/330L Fridge Door Middle Balcony
		UGP-BCD328330-24-00	UGP-328L/330L Fridge Door Bottom Balcony
54	1	UGP-BCD328330-24-00	UGP-328L/330L Fridge Door Bottom Balcony
55	2	N/A	N/A
56	2	UGP-BCD328330-6001-07	UGP-328L/330L Fridge and Freezer Door Stopper
57	2	N/A	N/A
58	1	UGP-BCD330-7001-00W	UGP-330L Freezer Door White
		UGP-BCD330-7001-00B	UGP-330L Freezer Door Black
		UGP-BCD330-7001-00T	UGP-330L Freezer Door Turquoise
		UGP-BCD330-7001-00LG	UGP-330L Freezer Door Light Green
		UGP-BCD330-7001-00RB	UGP-330L Freezer Door Robin Egg Blue
59	1	UGP-BCD328330-7001-06	UGP-328L/330L Freezer Door Seal
60	1	UGP-BCD328330-10906-07	UGP-328L/330L Egg Tray

# WARRANTY

**Unique Appliances Ltd. (hereafter “Unique”) warrants that this UNIQUE fridge is free from manufacturer’s defects in material and workmanship under normal usage and service under the following terms.**



## TERMS OF WARRANTY

Plastic parts are warranted for thirty (30) days from the date of purchase, with no extensions provided.

### Parts Warranty

This appliance has been designed for domestic household use. If properly installed, adjusted and operated under normal conditions in accordance with printed instructions, it will satisfactorily perform the functions that are generally expected of this type of appliance.

If the appliance fails to do so because of a defect in material or workmanship within **one year** from the original date of purchase: Unique will at our option, repair, exchange, or correct by other means Unique consider appropriate, any part(s) Unique finds to be defective except for the surface finish.

### Ownership

This Warranty is made only to the first purchaser (“original purchaser”) who acquires this fridge for his/her own use and will be honored by Unique Appliances Ltd. and by the Seller. Purchaser must retain their receipt as proof of purchase date.

### Warranty Conditions

This warranty does not apply to any appliance that has been subjected to alterations, misuse, abuse (including damage by foreign agents or chemicals), accident, improper installation or service, delivery damage, or other than normal household use and service. This UNIQUE appliance must be serviced regularly as outlined in the Owner’s Manual. Neither Unique Appliances Ltd. nor the selling dealer will be liable for direct or indirect loss of foods caused by failure in operation. In case of damage, the owner must provide proof of purchase, Model, and Serial Number to the selling dealer or Unique Appliances Ltd. This warranty is LIMITED STRICTLY to the terms indicated herein, and no other expressed warranties or remedies thereunder shall be binding on Unique.

### Purchaser’s Responsibilities

The purchaser will be responsible for the costs of any service calls requested to demonstrate or confirm the proper operation of the appliance, the installation, or to correct malfunctions in the appearance created by the operation of the appliance in a manner not prescribed by or cautioned against in the use and care instructions.

### Model and Serial Number

The appliance model number and serial number can be found on a rating plate attached at the back of the fridge. The purchaser should always refer to the model and serial number when talking to or contacting the dealer from whom the appliance was purchased.

### EXCLUSIONS

Save as herein provided, by Unique, there are no other warranties, conditions, representations or guarantees, express or implied, made or intended by Unique or its authorized distributors and all other warranties, conditions, representations or guarantees, including any warranties, conditions, representations or guarantees under any Sale of Goods Act or like legislation or statute is hereby expressly excluded. Save as herein provided, Unique shall not be responsible for any damages to persons or property, including the unit itself, howsoever caused or any consequential damages arising from the malfunction of the unit and by the purchase of the unit, the purchaser does hereby agree to indemnify and hold harmless Unique from any claim for damages to persons or property caused by the unit

Removal or disfigurement of the serial plate will void the warranty. The purchaser will be responsible for any expenses involved in making the refrigerator readily accessible for servicing. The purchaser will be responsible for any extra charges where the installation is in a remote location such as un-assumed roads, islands, areas known as cottage country, more than 20 Km outside a Metropolitan area, or where a technician is not available. Freight damage is not covered by this warranty.

### GENERAL PROVISIONS

No warranty or insurance herein contained or set out shall apply when damage or repair is caused by any of the following:

- 1) Power failure.
  - 2) Damage in transit or when moving the appliance.
  - 3) Improper power supply such as low voltage, defective house wiring or inadequate fuses.
  - 4) Accident, alteration, abuse or misuse of the appliance such as inadequate air circulation in the room or abnormal operating conditions (ie. extremely high or low room temperature).
  - 5) Use for commercial or industrial purposes (ie. If the appliance is not installed in a domestic residence).
  - 6) Fire, water damage, theft, war, riot, hostility, acts of God such as hurricanes, floods etc.
  - 7) Service calls resulting in customer education.
  - 8) Improper Installation (ie. Building-in of a free standing appliance or using an appliance outdoors that is not approved for outdoor application, including but not limited to: garages, patios, porches or anywhere that is not properly insulated or climate controlled).
- Proof of purchase date will be required for warranty claims; retain bills of sale. In the event that warranty service is required, present the proof of purchase to our authorized service depot.

**Nothing within this warranty shall imply that Unique will be responsible or liable for any spoilage or damage to food or other contents of this appliance, whether due to any defect of the appliance, or its use, whether proper or improper**

### Factory Assistance

If the purchaser is unable to locate an authorized dealer/service agent, or if the purchaser does not receive satisfaction from the dealer, they may contact Unique Appliances Customer Service directly at Toll Free 1-877-427-2266 or 905-827- 6154

## APPLIANCE INFORMATION

### APPLIANCE INFORMATION

(manual copy - keep with your records)

To make care and servicing of your fridge easy and efficient, please record the following information for future reference:

Model:

---

Serial Number:

---

Purchased From:

---

Date Purchased:

---

### NOTES

---

---

---

---

## PRODUCT REGISTRATION

Please visit our website at <https://uniqueappliances.com/product-registration/> to register your product.

## CONTACT US

For questions related to the operation, safety or the purchase of your fridge, please contact your dealer for more information. For general information, contact our customer service department:



#### Email

[info@UniqueAppliances.com](mailto:info@UniqueAppliances.com)



#### Toll-free

1-877-427-2266 or 1-905-827-6154  
(available during regular business hours, 8:30 am to 4:30 pm, EST.)



#### Website

[www.uniqueappliances.com](http://www.uniqueappliances.com)





© 2021 Unique Appliances Ltd., 2245 Wycroft Road,  
Oakville, Ontario, Canada, L6L 5L7

[www.uniqueappliances.com](http://www.uniqueappliances.com)