

# UNIQUE<sup>®</sup>

APPLIANCES

== *Classic* ==  
by UNIQUE

## BOTTOM MOUNT REFRIGERATOR

**MODEL NUMBERS:** UGP-510L W AC ,UGP-510L B AC,UGP-510L LG AC, UGP-510L T AC



OWNER'S GUIDE



FEB24V2

## TABLE OF CONTENTS

03	Safety and warning information	16	Operation
06	Important safety notes	19	Defrosting
09	Dimensions	19	Cleaning
10	Product features	21	Trouble shooting
11	Installation instructions	23	Warranty
13	Door handle installation	25	Appliance information
14	Installing the water line	25	Product registration
15	Leveling the refrigerator	25	Contact us

## WELCOME

**Congratulations on your purchase!** We are proud of our quality products and we believe in the dependable service we provide.

Before using the appliance, read through this manual carefully including all the information on safety, installation, operation, and cleaning. These guidelines do not cover every possible condition or situation that may occur. Be safe using common sense and caution when installing, operating and cleaning this appliance. If you are unsure about any of these instructions or warnings, contact your local product dealer or Unique Appliances for assistance.

## NEED HELP?

Before you call for service, here are a few things you can do to help us serve you better.

**Read this owner's manual:** It contains instructions to help you use and maintain your appliance properly.

**Visit our website:** Our website [www.UniqueAppliances.com](http://www.UniqueAppliances.com) will give you access to self service tools, FAQs and much more.

**If you receive a damaged appliance:** Immediately contact the retailer that sold you the appliance.

**Save time and money:** Check the troubleshooting section at the end of this manual before calling. This section will help you solve common problems that may occur.

## ENVIRONMENTAL PROTECTION



Discarded electric appliances are recyclable and should not be discarded in the domestic waste! Please actively support us in conserving resources and protecting the environment by returning this appliance to the collection centres (if available). This symbol on the product or in its packing indicates that this product may not be treated as household waste. Instead, it should be taken to the appropriate waste collection point for the recycling of electrical and electronic equipment. By ensuring this product is disposed of correctly, you will help prevent potential negative consequences for the environment and human health, which could otherwise be caused by the inappropriate waste handling of this product. For more detailed information about the recycling of this product, please contact your local council, your household waste disposal service, or the shop where you purchased the product

# SAFETY AND WARNING INFORMATION

## Basic safety symbol

This guide contains many important safety messages. Always read and obey all safety messages.



This is the safety alert symbol. It alerts you to safety messages that inform you of hazards that can kill or hurt you or others or cause damage to the product. All safety messages will be preceded by the safety alert symbol and the hazard signal word **DANGER**, **WARNING**, or **CAUTION**. These words mean:



**DANGER**

You will be killed or seriously injured if you don't follow the instructions.



**WARNING**

You will be killed or seriously injured if you don't follow the instructions.



**CAUTION**

Indicated an imminently hazardous situation which if not avoided may result in minor or moderate injury or product damage only.

## Appliance connection



**CAUTION**

The appliance must be applied with single phase alternating current of 110-115V/60Hz. If the voltage fluctuates exceeding the upper limit, A.C. automatic voltage regulator of more than 350W should be applied to the refrigerator for safety use.

## Safety and warning information



**WARNING**

To reduce the risk of fire electric shock or injury to persons when using your product basic safety precautions should be followed, including the following:  
Read all instructions before using the appliance.

Do not damage the refrigerant circuit.  
Refrigerant will cause serious injury when it splashes into the eyes. If it occurs please go to the hospital immediately.

Keep ventilation openings in the appliance enclosure or in the built-in structure clear of obstructions.

Do not use electrical appliance inside the food storage chambers of the appliance unless they are of the type recommended by the manufacturer.

Do not use mechanical devices or other means to accelerate the defrosting process other than those recommended by the manufacturer.

# SAFETY AND WARNING INFORMATION

## Safety and warning information



### CAUTION

The appliance is not intended for use by persons (including children) with reduced physical, sensory or mental capabilities or lack of experience and knowledge unless they have been given supervision instruction concerning use of the appliance by a person responsible for their safety.

Children should be supervised to ensure that they do not play with the appliance.



### DANGER

Do not use or store flammable materials either, benzene, alcohol, medicine, LP gas, spray or cosmetics near or in the fridge, it may cause explosion or fire.

Do not put glassware in freezing chamber or refrigerator chamber air outlet, it may cause explosion or injury.

Make sure of grounding.

Consult a qualified electrician or service person if the grounding instructions are not completely understood or if you have doubts on whether the appliance is properly grounded.

The incorrect grounding may cause breakdown and electric shock  
Do not store explosive substances such as aerosol cans with a flammable propellant in this appliance.

The appliance is intended to be used in household and similar applications such as:

- staff kitchen areas in shops, offices and other working environments.
- farm houses and by clients in hotels, motels and other residential type environments:
- bed and breakfast type environments:
- catering and similar non-retail applications

## PROP 65 WARNING

### CALIFORNIA PROPOSITION 65 WARNING



CAUTION



Cancer and Reproductive Harm - [www.P65Warnings.ca.gov](http://www.P65Warnings.ca.gov).

## SAFETY AND WARNING INFORMATION

**These warnings are provided in the interest of your safety. Please ensure that you understand them all before installing or using this fridge. Your safety is of paramount importance. If you are unsure about any of these meanings or warnings, contact your local product dealer or Unique Appliances for assistance.**

**IMPORTANT:** To reduce the risk of fire, electrical shock, injury to persons, or damage when using the refrigerator, follow basic precautions including the following:



### WARNING

- A dedicated outlet should be used.
- Using several devices at one outlet may cause fire.
- Install the appliances in a dry, well ventilated room.
- The appliance should be placed close to a socket, so that it is easy to cut off the power supply at the time of an accident.
- Do not allow the power plug to face upwards or to be squeezed at the back of the fridge.
- Water may be flown into or the plug may be damaged which causes fire or electrical shock.
- Do not allow the power cord to be bent or pressed by a heavy object. If it is damaged it must be replaced by the service agent or a similarly qualified person in order to avoid a hazard.
- If the supply cord is damaged it must be replaced by the manufacturer, its service agent or similarly qualified persons in order to avoid a hazard.
- Unplug the power plug when cleaning or handling the interior light of the fridge. It may cause electric shock or injury. If the LED lamp is damaged it must be replaced by the manufacturer or service agent.
- Remove water or dust from the power plug with clean dry cloth, do not use wet hands to touch it and ensure it is inserted with the ends of the pins securely connected.
- Do not touch food or containers in the freezer with wet hands, it may cause frostbite
- Do not place heavy objects or dangerous objects such as: cups, flowers vases, cosmetics, medicines or any container with water on top of the fridge.
- Doing so may cause the object to drop and cause injury, fire or electrical shock when opening or closing the door.
- Do not spray water on the outside or the inside of the fridge
- Do not clean the appliance with benzene or thinner.
- Wait for 5 minutes or longer when reconnecting the plug, it may cause the operation of the freezer to fail.
- Do not use the fridge for non domestic purposes (storing medicine or testing material, blood). Doing so may cause an unexpected risk such as fire, electrical shock, deterioration of stored material or chemical reaction.
- Do not use a drier to dry the inside, nor light a candle to remove odor, it may cause explosion or fire.
- Do not cling to the door or the drawers and/or shelves of the door, it may make the fridge fall down or cause injury. Do not allow children to the above mentioned.
- When there is a gas leak do not touch the fridge or the outlet and ventilate the room immediately. An explosion by spark may cause a fire or burn. When there is a gas leak by severe damage during delivery, installing or use of the fridge, any spark may cause fire or burn.
- Do not insert hands or any metal object into the exit of the cool air, the cover, the bottom of the fridge, the heatproof grill (exhaust hole) at the back of the appliance, doing so may cause electrical shock or injury.
- Do not put ice in thin crystal or ceramic ware as it may break and cause injury.
- If the power cord is damaged, it must be replaced by the manufacturer, its service agent or similarly qualified persons.

## IMPORTANT SAFETY NOTES

- Do not use a submerged fridge as it may cause electrical shock or fire.
- Do not install the fridge in a wet place or a place which water or rain can reach the appliance. Deterioration of insulation or electrical parts may cause electric leakage. Please check the fridge regularly.
- Do not allow any person except a qualified engineer to disassemble, repair or alter the fridge doing so may cause injury, electrical shock or fire.



### WARNING:

- The appliance must be positioned so that the plug is accessible.
- This refrigerator must be properly installed and located in accordance with the installation instructions before it is used. When positioning the appliance, ensure the supply cord is not trapped or damaged.
- Unplug the refrigerator before making repairs or cleaning or the use is suspended.
- **Note:** power to the refrigerator cannot be disconnected by any setting on the control panel.
- **Note:** repairs must be performed by a qualified service professional.
- That's necessary, the power supply must be properly grounded and wiring to the circuit with a rcbo (residual current circuit breaker with over current protection), the active current of rcbo must not greater than 30ma.
- To prevent suffocation and entrapment hazards to children,remove the fresh food and freezer doors from any refrigerator before disposing of it or discontinuing its use.
- To avoid serious injury or death, children should not stand on, or play in or with the appliance.
- Children and persons with reduced physical, sensory or mental capabilities or lack of experience and knowledge can use this appliance only if they are supervised or have been given instructions on safe use and understand the hazards involved.
- If the refrigerator is not installed on the ground, adequate fixing or protective measures are taken to avoid accidental dumping causing personal injury.
- Glass parts(such as glass-door,glass-shelves,etc.) Is broken by external forces can cause personal injury
- This appliance is not intended for commercial purposes.
- If the LED light is damaged,it must be replaced by the manufacturer,its service agent or similarly qualified persons in order to avoid a hazard.
- **Warning:** keep ventilation openings,in the appliance enclosure or in the built-in structure, clear of obstruction.
- Refrigerator with ice making function
  - Before installing the water supply line, you will need to fill with potable water only. The water supply system must be installed and connected by a professional technician.
  - Connect the refrigerator with the cold water pipe:  
The maximum inlet water pressure is 690kpa;  
The minimum inlet water pressure is 140kpa



### PROHIBIT:

- Do not try to fix the lamp and open the back guard, refer to agent or manufacture for help.
- Do not try to put your finger into the ventilated grille or back grille, especially children.
- Do not store or use gasoline or other flammable vapors and liquids in the vicinity of this or any other appliance.
- Do not store explosive substances such as aerosol cans with a flammable propellant in this appliance.
- Do not use an adapter plug or an extension cord. Do not use multiple portable socket-outlets or portable power supply on the appliance

## IMPORTANT SAFETY NOTES

- Repair or replace immediately, all electric service cords that have become frayed or otherwise damaged.
- Do not use a cord that shows cracks or abrasion damage along its length, the plug or the connector end.
- Do not place unpackaged foods directly on the shelves of the refrigerator.
- Do not use mechanical devices or other means to accelerate the defrosting process, other than those recommended by the manufacturer.
- Do not damage the refrigerant circuit.
- Do not use electrical appliances inside the food storage compartments of the appliance unless they are of the type recommended by the manufacturer

**To reduce the risk of injury when using your refrigerator, follow these basic safety precautions**



### **CAUTION:**

- To avoid contamination of food, please respect the following instructions.
  - Opening the door for long periods can cause a significant increase of the temperature in the compartments of the appliance.
  - Clean regularly surfaces that can come in contact with food and accessible drainage systems.
  - Store raw meat and fish in suitable containers in the refrigerator, so that it is not in contact with or drip onto other food.
- Do not clean refrigerator with warm water when it is cold. Components may break if exposed to sudden temperature changes or impact, such as bumping or dropping.
- Keep fingers out of the “pinch point” areas; clearances between the lid and cabinet are necessarily small. Be careful closing doors when children are in the area.
- Do not touch the cold surfaces in the refrigerator compartment when hands are damp or wet, skin may stick to these extremely cold surfaces.
- The refrigerant must be replaced by the manufacturer, its service agent or similar qualified persons in order to avoid a hazard.
- Maximum loading of each shelf in storage compartment is 8 kg.
- Maximum loading of door balcony is 5 kg.
- Sound pressure level at workstation is far below 70dB.

### **EXPLOSION HAZARD:**



**Symbol ISO 7010 W021 Warning:  
Risk of fire/flammable materials**

### **Flammable Refrigerant**

This appliance contains isobutane refrigerant, R600a, a natural gas with high environmental compatibility. However, it is also combustible. Adhere to the warnings below to reduce the risk of injury or property damage.

## IMPORTANT SAFETY NOTES



**WARNING:**



- When handling, installing and operating the appliance, care should be taken to avoid damage to the refrigerant tubing and ensure that none of the components of the refrigerant circuit becomes damaged.
- Service shall only be performed by authorized service personnel. Use only manufacturer-authorized service parts.”
- Dispose of refrigerator in accordance with Federal and Local Regulations. Flammable refrigerant and insulation material used require special disposal procedures. Contact your local authorities for the environmentally safe disposal of your refrigerator.
- Keep ventilation openings in the appliance enclosures or in the built-in structure clear of obstruction.

### PROPER DISPOSAL OF YOUR OLD APPLIANCE



**WARNING:**

Failure to follow these disposal instructions can result in death or serious injury. Child entrapment and suffocation are not problems of the past. Junked or abandoned appliances are still dangerous even if they will sit for “just a few days.” If you are getting rid of your old appliance, please follow the instructions below to help prevent accidents. Take off the doors. Leave the shelves in place before you throw away your old appliance, so that children may not easily climb inside.

### REFRIGERANT AND FOAM DISPOSAL

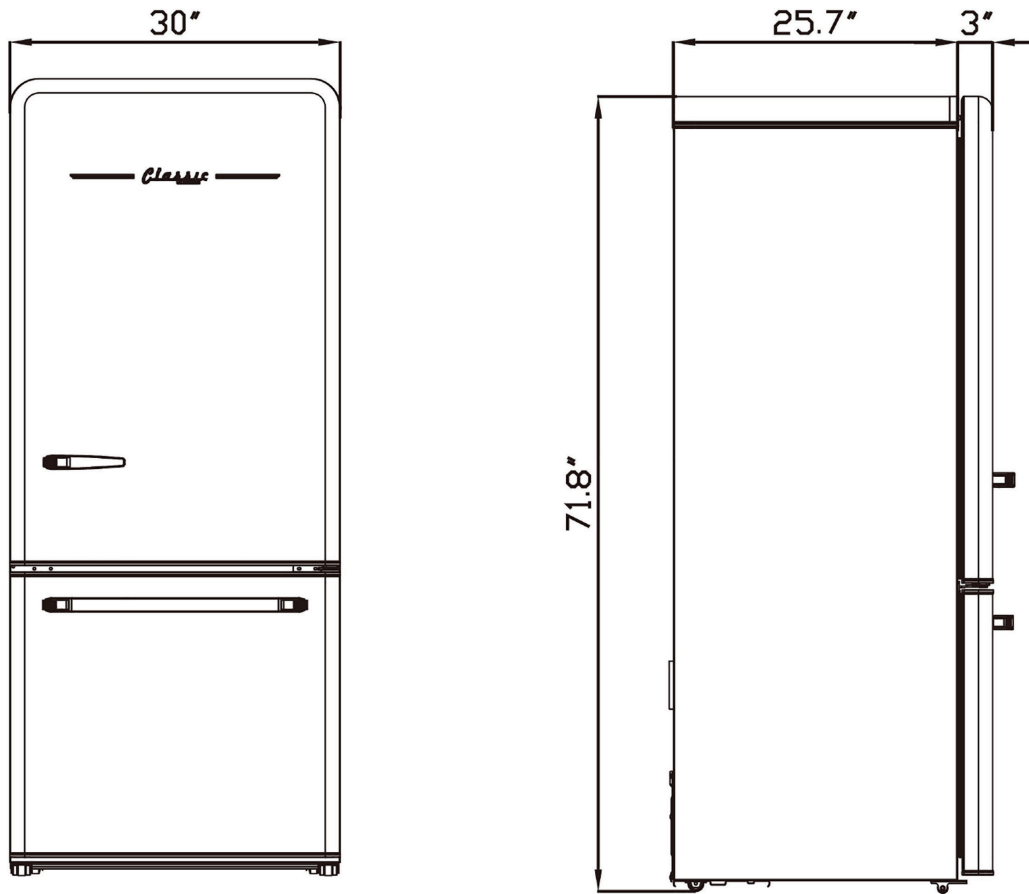
The refrigerant and insulation blowing gas are flammable. When disposing of the appliance, do so only at an authorized waste disposal centre. Do not expose to flame. Dispose of refrigerator in accordance with Federal and Local Regulations. Flammable refrigerant and insulation material used require special disposal procedures. Contact your local authorities for the environmentally safe disposal of your refrigerator



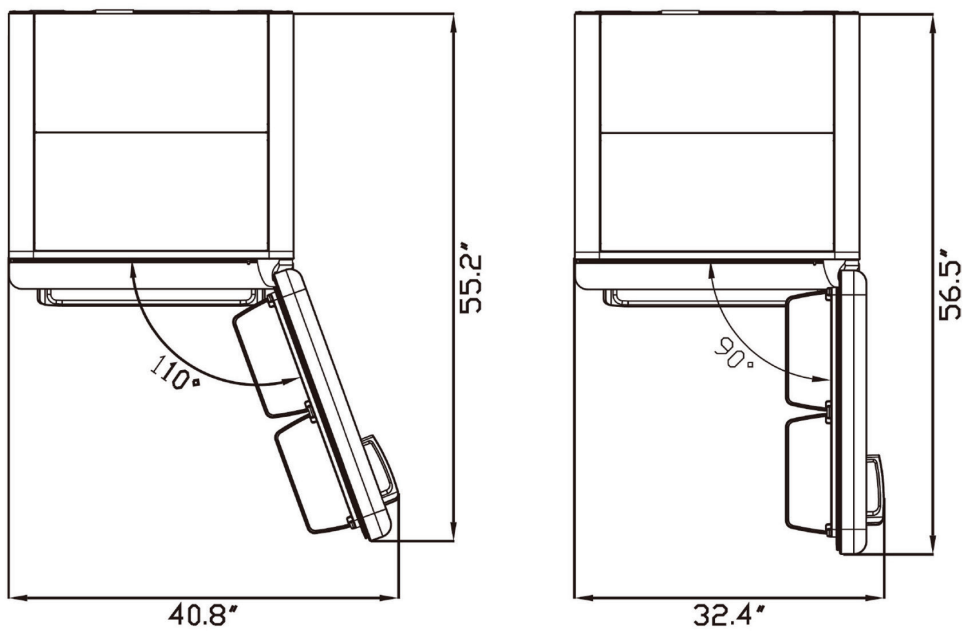
# DIMENSIONS

## OUTLINE DIMENSION

Select a good location to place your appliance where it is flat and easy to use. Avoid placing the unit near heat sources, direct sunlight or moisture.



## DOOR OPEN DIMENSION



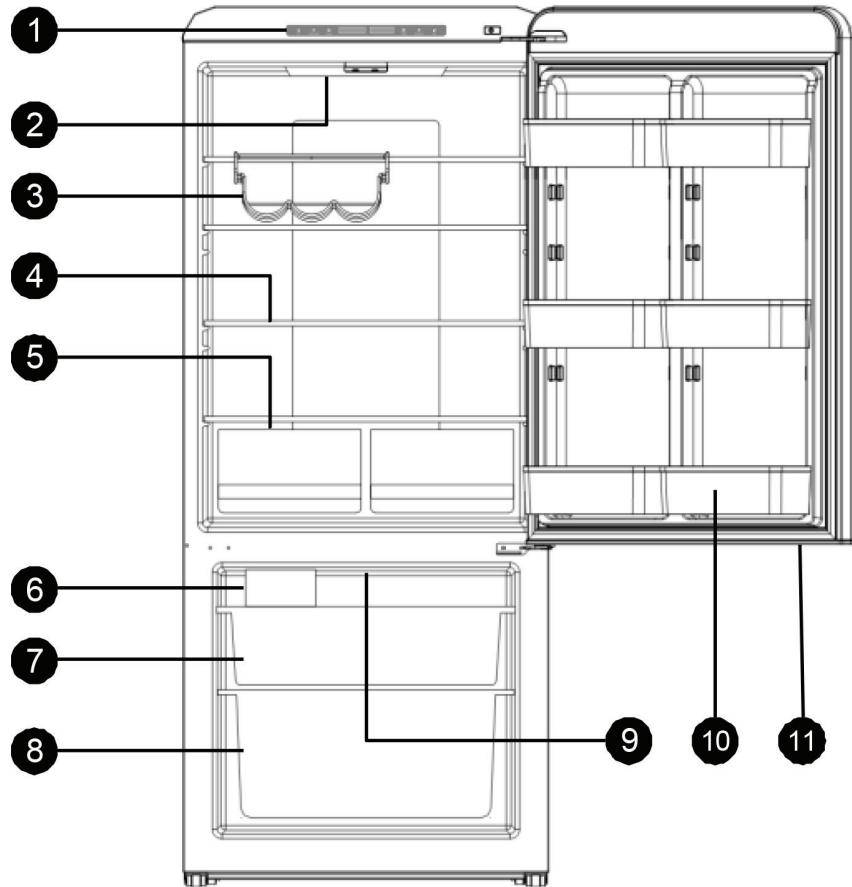
# PRODUCT FEATURES

## PARTS

All figures in this manual are schematic; some features and devices may not be consistent fully with your refrigerator and the specific structure and configuration shall be subject to the actual product.

### FEATURES:

- 1: Control panel
- 2: LED light
- 3: Wine rack
- 4: Shelves
- 5: Crisper
- 6: Ice maker
- 7: Freezer drawer
- 8: Freezer compartment
- 9: Freezer light
- 10: Adjustable door shelf
- 11: Fridge door



### PRODUCT FEATURES

- Energy saving and noise reduction
- Quick freeze optimal refrigeration system
- Intuitive control panel with LED display and touch button
- C-temperature and F-temperature
- Automatic defrosting
- Door-opening alarm system - If open for than 1 minute the door-opening alarm system will remind you to close the door.
- Tempered glass, safe and reliable, easy clean and durable.
- Easy clean and removable door seal
- Automatic ice maker

# INSTALLATION INSTRUCTIONS

## BEFORE USE

Remove all packages, including the foam backing at the bottom of refrigerator and the tapes fixing accessories in the box. Place the refrigerator to a proper position, and adjust the feet to level. It is better to clean the refrigerator before use.

Remove the film: There is a layer of transparent film on the side of our product, which can protect the appliance from being scratched in the process of production and transportation, and you can choose to reserve or remove the film as needed.

Place the refrigerator and adjust to level, clean it, let the refrigerator stand for above 2 - 6 hours to let the compressor gas settle. Power on to ensure that the refrigerator can operate normally

## TRANSPORT

Do not carry the refrigerator by holding the door or handle; the refrigerator should be carried by lifting the bottom.

## LOCATION REQUIREMENTS



- Explosion and Fire Hazard.
- Keep flammable materials and vapors, such as gasoline, away from appliance. Failure to do so can result in death, explosion of fire.
- To ensure your refrigerator works at optimum efficiency, you should install it in a location where there is proper air circulation, and electrical connections.
- Avoid contact with strong oxidizing agents, corrosive gases and fluids.



- Do not install the refrigerator where the temperature will go below 60°(16°) or above 100°(37°), because it will not perform properly.
- Do not install the refrigerator in a location exposed to water(rain, a bath, shower, swimming pool, wet environment, etc.).
- Do not install your refrigerator in any location not properly insulated or heated, e.g. garage, etc. Keep out of direct sunlight and away from heating sources such as radiators, heaters, and cooking appliances.

## CONNECTING ELECTRICITY



### Electrical Shock Hazard

- Plug into a grounded 3-prong outlet. The power cord of this appliance is equipped with a 3-prong (grounding) plug which mates with a standard 3-prong (grounding) wall outlet to minimize the possibility of electric shock hazard from this appliance.
- Have the wall outlet and circuit checked by a qualified electrician to make sure the outlet is properly grounded.
- The refrigerator should always be plugged into its own individual electrical outlet which has a voltage rating that matches the rating plate.
- A115 Volt AC, 60 Hz, 15- or 20-amp fused, grounded electrical supply is required. This provides the best performance and also prevents overloading house wiring circuits which could cause a fire hazard from overheated wires.
- Never unplug your refrigerator by pulling on the power cord. Always grip plug firmly and pull

# INSTALLATION INSTRUCTIONS

straight out from the outlet.

- Immediately discontinue use of a damaged supply cord. If the supply cord is damaged, it must be replaced by a qualified service professional with an authorized service part from the manufacturer.
- When moving the refrigerator away from the wall, be careful not to roll over or damage the power cord

## PROHIBIT

- Do not, under any circumstances, cut or remove the third (ground) prong from the power cord. For personal safety, this appliance must be properly grounded.
- Do not use an adapter.
- Do not use an extension cord.
- Failure to follow these instructions can result in death, fire, or electrical shock.

## UNPACKING REFRIGERATOR

### WARNING

- Explosion and Fire Hazard. Flammable refrigerant used. Handle with care when moving refrigerator to avoid either damaging the refrigerant tubing or increasing the risk of a leak. Failure to do so can result in death, explosion or fire.
- **When moving the refrigerator, never tilt it more than a 45° angle. This could damage the compressor and the sealed system. If the refrigerator has been placed in a horizontal position for any period of time, wait 6 to 8 hours before plugging in the refrigerator to allow the refrigerant to settle.**

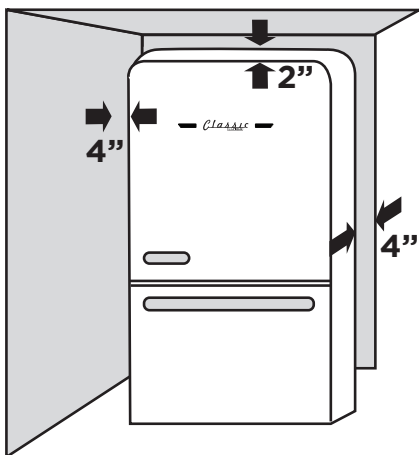
**Step1.** Remove all packaging material. This includes the corrugated base and all adhesive tape holding the refrigerator accessories inside and outside.

**Step2.** Inspect and remove any remains of packing, tape or printed materials before powering on the refrigerator.

**Step3.** It is advisable to clean the inside of the refrigerator with lukewarm water using a neutral detergent, and then to dry it thoroughly prior to use.

## PROPER AIR CIRCULATION

### WARNING



To ensure your refrigerator works at the maximum efficiency it was designed for, you should install it in a location where there is proper air circulation, plumbing and electrical connections. Your refrigerator is not designed to operate in temperatures below 60°(16°) or above 100°(37°). The refrigerator must be placed on a hard, flat ground; if cushioning is needed, stable, hard, nonflammable cushion blocks shall be used, rather than the foam backing of refrigerator. The refrigerator shall be kept away from damp locations where water is easy to splash; water or dirt shall be removed with soft cloth timely to prevent rusting which may have an effect on the electrical characteristics.

Place the refrigerator in a well-ventilated place, reserve a certain space around and behind the refrigerator, and do not cover or block the air grille on the rear cover plate of compressor at the back of refrigerator; Keep the refrigerator away from heat source or direct sunlight.

# DOOR HANDLE INSTALLATION

## DOOR HANDLE INSTALLATION

### TOOLS REQUIRED

- 1x 2.5mm Allen key
- 4 x threaded caps

### FRIDGE DOOR HANDLE

1. Twist on supplied threaded caps (x2) on to existing screws on the fridge door. To ensure no gap between the handle and the door, make sure that they meet the washer. (Fig. 1)
2. Place provided fridge handle on to the screw caps on fridge door (make sure that the smaller holes on the handle are on the bottom, and that the screw goes into the center hole at each end of the handle. (Fig. 2)
3. Tighten the screws using the provided 2.5 mm Allen key (Fig 3.)

Fig. 1

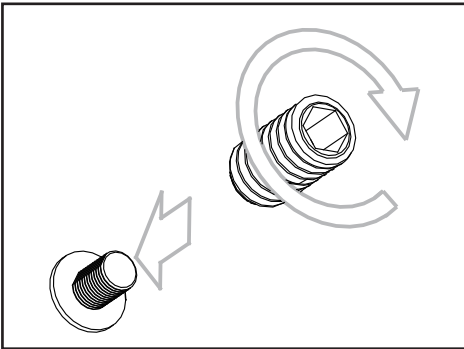


Fig. 2 (as seen from below)

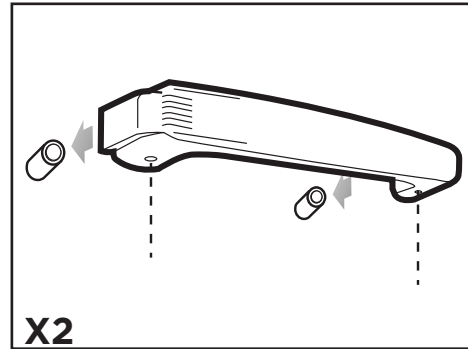
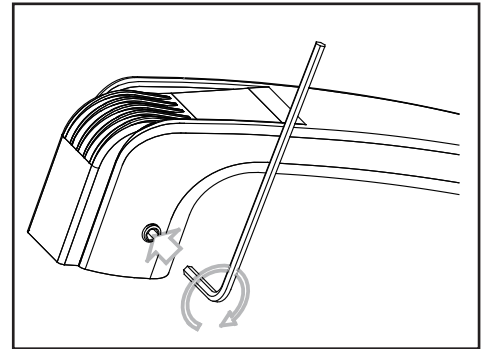


Fig. 3 (as seen from below)



### FREEZER DOOR HANDLE

4. Twist on supplied threaded caps (x2) on to existing screws on the freezer door (Fig. 4)
5. Place provided freezer handle on to the screw caps on freezer door. Make sure that the smaller holes on the handle are on the bottom, and that the screw goes into the center hole at each end of the handle. (Fig. 5)
6. Tighten using the provided 2.5 mm Allen key (Fig. 6)

Fig. 4

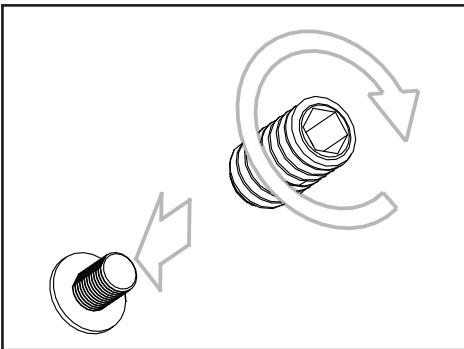


Fig. 5 (as seen from below)

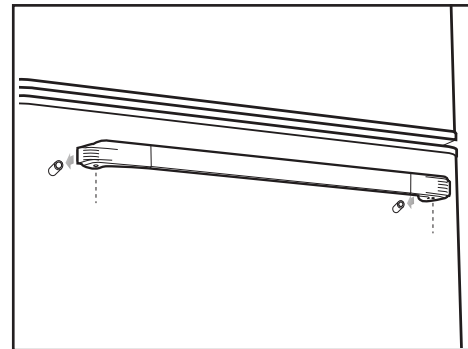
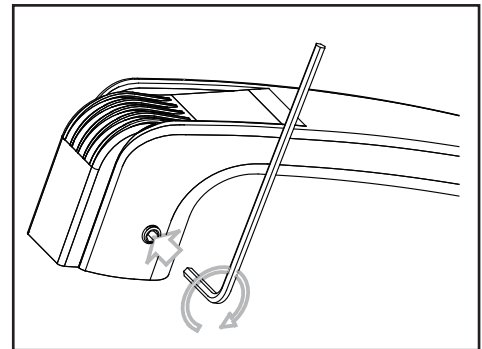


Fig. 6 (as seen from below)



### CAUTION

Do not over tighten the screws, doing so could damage the freezer door.

# INSTALLING THE WATER LINE

## INSTALLING THE WATER LINE TO YOUR ICE MAKER

**WARNING: Connect to potable water supply only.**

**The water supply system must be installed and connected by a professional technician.**

**NOTE:** In order for the ice maker to operate properly a water line is required.

The maximum inlet water pressure is 690kPa.

The minimum inlet water pressure is 140kPa

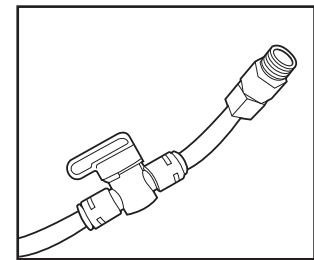


**WARNING**

The water connection must be made by a qualified plumber. Operation outside the water pressure range may cause malfunction, sever and damaging water leaks. Under normal conditions a 200cc (5.75 oz) cup can be filled in about 10 seconds. If the refrigerator is installed in an area with low water pressure (below 30psi), you can install a booster pump to compensate for the low pressure.

**NOTE:** Water line installation differs based on copper versus PVC, ABS, PEX, piping in your home.

**NOTE:** Ice maker connection kits are available at your local hardware store based on copper or PVC piping in your home.



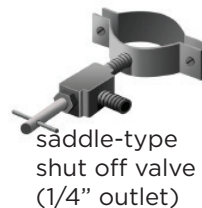
1/4" threaded ice maker line with water shut-off located at the back of the fridge

### TOOLS REQUIRED

**(Example of copper piping water line)**

1. Power drill and 1/4" drill bit
2. 1/2" or adjustable wrench
3. Flatblade and Philips head screwdrivers

**NOTE: You will need to purchase several items to complete the connection. You may find these items sold as a kit at local hardware stores.**



saddle-type shut off valve (1/4" outlet)



one 1/4" compression



1 ferrule (sleeve)



1/4" outlet extension tubing



1 coupler



2 clips

### CONNECTING TO THE WATER SUPPLY LINE

1. First shut off the main water supply - Fig 1.
2. Using a power drill and 1/4" drill bit drill into the cold water line and connect the saddle-type shutoff valve.
3. Connect 1/4" extension tubing to shutoff valve outlet.

Fig 1.

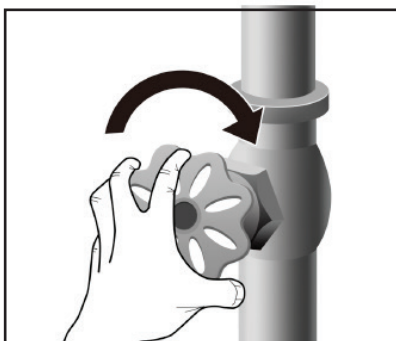


Fig 2.

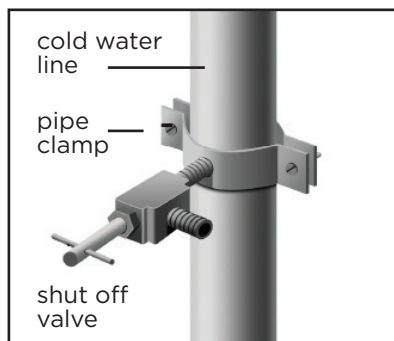
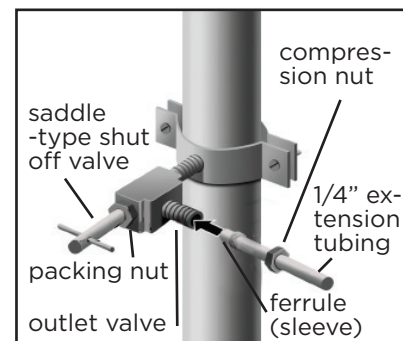


Fig 3.



## INSTALLING THE WATER LINE

4. Flush the tubing. Turn the main water supply on and flush out the tubing until the water is clear. Then, shut the water off at the water valve after about a quart of water has flushed through the tubing. **NOTE:** Ensure that the water line does not get pinched or bent when installing. This can result in improper water flow through the line and will affect the functionality of the fridge - Fig4.
5. Turn the water on and check for leaks - Fig 5.

Fig 4.

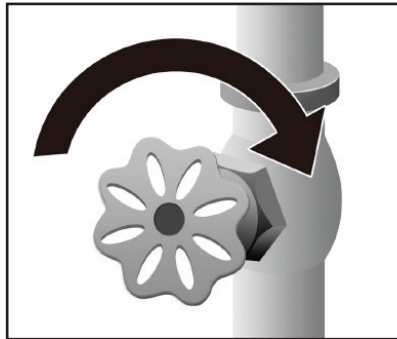
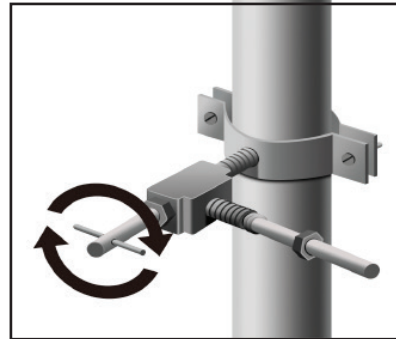


Fig 5.

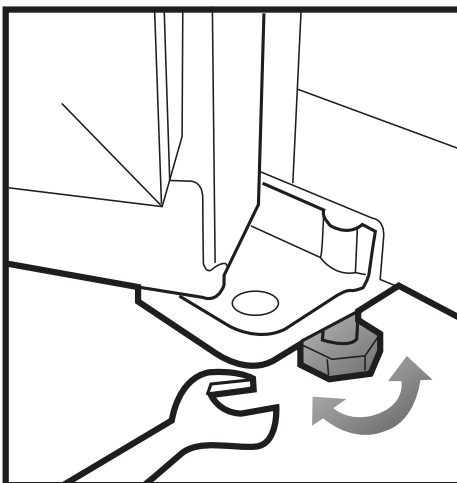


### WARNING

The water line must be connected to the cold water pipe. Avoid contamination of pipe during installation. Make sure to connect to a potable water supply only.

**NOTE:** Leave approximately 8ft of tubing behind the refrigerator to allow for cleaning in pulling the refrigerator in and out. Secure the line with tape to the back of the appliance.

## LEVELING THE REFRIGERATOR



When the refrigerator stays in the packing box, plastic feet are in tightened state. After carrying it out from the packing box for placement, please make sure to adjust two front plastic feet until the height is suitable; just adjust two plastic feet with a wrench or directly by hand.

Plastic feet and rear rollers must touch the ground to prevent the refrigerator from movement, vibration or noise. When moving the refrigerator, adjust plastic feet counterclockwise to keep them off the ground, and then push the refrigerator gently to move it.

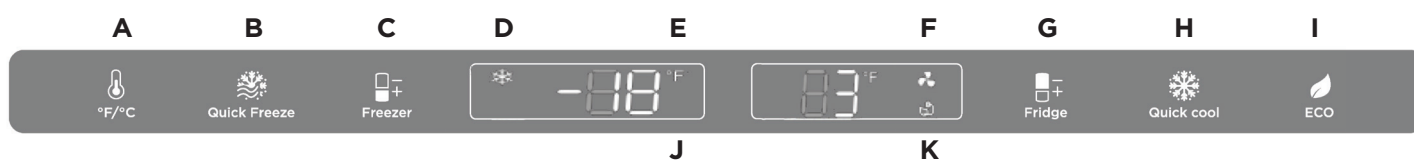
# OPERATION

## STARTING

Connect the power cord, and turn on the power switch.

Upon startup for the first time, the screen will display respective set temperature values (the temperature of refrigerating chamber is set as 38 ,temperature of freezing chamber -2 ).

## USING THE CONTROLS



- °F / °C
- Quick Freeze button
- Freezer Compartment Temp Control
- Quick Freeze Icon
- Fahrenheit Indicator
- Quick Cool Icon
- Refrigerator Compartment Temp Control
- Quick Cool button
- ECO/Energy Saving button
- Celsius Indicator
- Eco/Energy Saving Icon

## CONTROL PANEL

The display will illuminate when the refrigerator is first plugged in. A sound will occur and then the display will illuminate after 3 sec. If there are no changes made to the settings the display will set after 20 sec.

## SETTING COMPARTMENT TEMPERATURES

When you set a temperature, you are setting an average temperature for the entire compartment. The actual compartment temperatures may vary from the temperatures displayed depending on the amount and placement of stored food, and the surrounding room temperature.

## RECOMMENDED TEMPERATURE SETTINGS

- Refrigerator Compartment: 39°F (4°C)
- Freezer Compartment: 0°F (-18°C)



## DISPLAY TEMPERATURES IN DEGREES FAHRENHEIT OR CELSIUS

- Press °F / °C to switch

**NOTE:** Either the °F or °C icon will illuminate to indicate in which scale (Fahrenheit or Celsius) the temperature is being displayed.



## OPERATION



Fridge

### REFRIGERATOR (FRIDGE) COMPARTMENT TEMPERATURE

1. Press Fridge once to turn on the temperature control.
2. Press Fridge repeatedly to cycle through the available temperature settings, from 46°F to 35°F or from 8°C to 2°C.

**NOTE:** Such as °C scenario, each press advances the setting by one degree (4°-3°-2°-8°-7°-6°-5°-4°). Such as °F scenario, temperature control range (39°-37°-35°-46°-44°-42°-41°-39°).

3. Release Fridge when the desired temperature setting appears.



Freezer

### FREEZER COMPARTMENT TEMPERATURE

1. Press Freezer once to turn on the temperature control.
2. Press Freezer repeatedly to cycle through the available temperature settings, from 5°F to -10°F or from -15°C to -23°C.

**NOTE:** Such as °C scenario, each press advances the setting by one degree (-18°-19°-20°-21°-22°-23°-15°-16°-17°-18°). Such as °F scenario, temperature control range (0°-2°-4°-6°-8°-10°-5°-4°-2°-0°).

3. Release Freezer to select the desired temperature setting.

### ADDITIONAL FEATURES



Quick Freeze

#### QUICK FREEZE

The Quick Freeze feature rapidly lowers the freezer compartment temperature to freeze fresh food faster and maintain the temperature of the frozen food during periods of high usage, full grocery loads, or temporarily warm room temperatures.

The Quick Freeze feature lowers the temperature in the freezer compartment to -10°F (-23°C).

- Press Quick Freeze once to turn On/Off the Quick Freeze feature.

**NOTE:** When Quick Freeze is on, is illuminated and -10°F or -23°C appears in the temperature display.

- Press Freezer button to manually turn off Freeze and return to the previously set temperature.

**NOTE:** Quick Freeze will automatically turn off after several hours, and the freezer will revert to its previous temperature setting.



Quick cool

#### QUICK COOL

The Quick Cool feature rapidly lowers the refrigerator compartment temperature to maintain the temperature of the chilled food during periods of high usage, full grocery loads, or temporarily

## OPERATION

warm room temperatures.

The Quick Cool feature lowers the temperature in the refrigerator compartment to 35°F (2°C).

- Press Quick Cool once to turn On/Off the Quick Cool feature.

**NOTE:** When the refrigerator is in Quick Cool mode,  appears in the display.

- If not manually turned off, the Quick Cool feature will automatically turn off after 50 minutes.



### ENERGY SAVING

The Energy Saving feature reduces energy use by raising the Refrigerator Compartment temperature to 46°F (8°C) and the Freezer Compartment temperature to 5°F (-15°C).

**IMPORTANT:** The compartment temperatures in Energy Saving mode are not suitable for the storage of certain food items.

- Press Energy Saving once to turn On/Off this feature.

**NOTE:** When the refrigerator is in Energy Saving mode, is illuminated.

### DOOR OPEN ALARM

If a door is kept open for longer than 1 minute, an alarm will sound to alert you. The alarm will sound 3 times every 30s Continuously.

- To turn off the alarm, close all doors and drawer completely (This system can not be disabled).

### REMOVING THE FREEZER DRAWER

Slide open the freezer drawer to its full extension

Slide open the upper storage drawer to its full extension

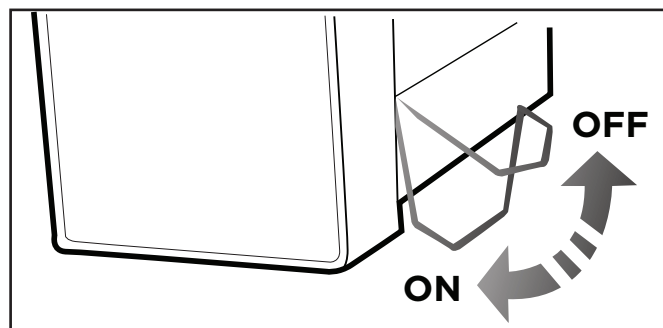
Remove the upper storage drawer from the glide rail by lifting up and pulling out at an angle

Remove the storage drawer from the glide rail by flipping up the 4 clips to unclip the drawer

Slide out the drawer at an angle to remove

### AUTOMATIC ICE MAKER

**NOTE:** When the ice maker dumps ice into the ice box, any sounds are part of normal operation. If ice is not dispensed for a long period of time, it may clump in the ice box. If this occurs please remove all the ice and empty the box. In case of prolonged absence and the ice maker is not used, close the water valve to prevent leaks.



**NOTE:** The ice maker will automatically shut off when the ice tray is full activating the swing arm. When ice is consumed the swing arm will drop back down and automatically start again.

**NOTE:** It is recommended that the first several ice charges be discarded to ensure highest quality of ice. Do not store cans or containers that will burst when frozen.



**CAUTION**

**Do not allow your children to touch the ice maker, this could cause injury.**

## HELPFUL HINTS AND TIPS

### ENERGY SAVING TIPS

- Make sure to keep the refrigerator away from heat sources and direct sunlight.
- Before storing hot foods, cool them to room temperature and then put into refrigerator.
- Close the door timely, reduce the opening frequency and shorten the opening time.
- When unfreezing frozen foods you can put them into the refrigerating chamber which will assist in refrigeration of the refrigerating chamber.
- Make sure that the temperature sensor is not covered or blocked by foods and keep proper distance from other foods.

### DEFROSTING

**NOTE:** This product has an automatic defrost function, no manual defrosting is necessary.

### GENERAL INFORMATION

#### ON VACATION

When you want to leave for vacation ensure that the refrigerator operates continuously and leave foods that can be stored for a short time. If you want to stop the refrigerator, remove all foods, disconnect the power plug, clean the inside of the refrigerator fully and open the door to avoid producing abnormal odors.

#### AT POWER FAILURE

Generally short term power failure will not affect the temperature of the refrigerator sharply. However, if power failure lasts for a long time, you should reduce the opening frequency of the refrigerator and do not put fresh foods into the refrigerator (prevent rise in temperature)

## CLEANING

**NOTE: For hygienic reasons the appliance (including exterior and interior accessories) should be cleaned at least every two months.**



### CAUTION

The appliance must not be connected to the wall outlet during cleaning. Danger of electrical shock! Before cleaning switch the appliance off and remove the plug from the wall outlet socket.

### EXTERIOR CLEANING

To maintain good appearance of your appliances you should clean it regularly.

Spray water onto to a cleaning cloth instead of the surface of the appliance. This helps ensure an even distribution of moisture to the surface.

Clean the doors, handles and cabinet surfaces with a mild detergent and then wipe dry with a soft cloth.



### CAUTION

Don't use sharp objects to clean with as they are likely to scratch the surface.

Don't use thinner, car detergent, bleach, ethereal oil, abrasive cleaners or organic solvent such as Benzene for cleaning. They may damage the surface of the appliance and may cause fire.

# CLEANING

## INTERIOR CLEANING

You should clean the appliance interior regularly. It will be easier to clean when food stocks are low. Wipe the inside of the fridge freezer with a weak solution of baking soda and water and then rinse with warm water using a wrung out sponge or cloth. Wipe completely dry before replacing the shelves and baskets. Thoroughly dry all surfaces and removable parts before putting them back into place. Although this appliance automatically defrosts, a layer of frost may occur on the freezer compartments interior walls if the freezer door is opened frequently or kept open too long. If the frost is too thick, choose a time when the freezer is nearly empty and proceed as follows.

1. Remove existing food and accessories baskets. Unplug the appliance from the main power and leave the doors open. Ventilate the room thoroughly to accelerate the process.
2. When defrosting is completed clean your freezer as described above.



### WARNING

Do not use sharp objects to remove frost from the freezer compartment. Only after the interior is completely dry should the appliance be switched back on and plugged back into the main socket.

## DOOR GASKET CLEANING

Take care to keep door gasket clean. Sticky food and drinks can cause gasket to stick to the cabinet and tear when you open the door. Wash gasket with a mild detergent and warm water. Rinse and dry thoroughly after cleaning.



### CAUTION

Only after the door seals are completely dry should the appliance be powered on.

## REPLACING THE LED LIGHT



### WARNING

The LED light must be replaced by a competent person. If the LED light is damaged contact an authorized service personnel. Use only manufacturer-authorized service parts.

## TROUBLE SHOOTING

**NOTE: Before calling for service, review this list as it may save you both time and expense. This list includes common occurrences that are not the result of defective workmanship or materials in this appliance.**

### **DEW DROPS**

When external air flows into the cool inner surface of the fridge, dew drops can be formed. If the humidity of the installed location is high or during the summer months, dew drops can form on the outside of the fridge. This is a natural phenomenon that occurs during humid weather. Wipe the water drops with a dry cloth.

### **NOISE**

When you operate the fridge for the first time, the fridge will operate at high speed to cool fast and the sound can seem louder. When the internal temperature falls below a certain level the noise will subside. When the operation of the compressor is starting or ending, various parts expanding/contraction or various control devices operating or temperature change within the fridge you will hear sounds, these are normal occurrences.

### **HOT COMPRESSOR**

When working the temperature of the outside of the compressor is more than 80°C, please do not touch the compressor, it may cause serious injury.

### **COMPRESSOR KEEPS RUNNING**

When the ambient temperature is too high or there is too much fresh food placed into the fridge it will take a long time to cool down and reach the desired set temperature.

### **HUMMM...WHOOSH**

The new high efficiency compressor may run faster and longer than your old refrigerator and you may hear a high-pitched hum or pulsating sound while it is operating. You may hear a whooshing sound when the doors close. This is due to pressure equalizing within the refrigerator.

### **CLICKS, POPS, CRACKS and SNAPS**

You may hear cracking or popping sounds when the refrigerator is first plugged in. This happens as the refrigerator cools to the correct temperature. Expansion and contraction of cooling coils during and after defrost can cause a cracking or popping sound.

### **WATER**

The flow of refrigerant through the cooling coils may make a gurgling noise like boiling water. Water dropping on the defrost heater can cause a sizzling, popping or buzzing sound during the defrost cycle. A water dripping noise may occur during the defrost cycle as ice melts from the evaporator and flows into the drain pan. Closing the door may cause a gurgling sound due to pressure equalization.

## TROUBLE SHOOTING

PROBLEM	POSSIBLE CAUSE	REMEDIAL ACTION
No display on the display panel	<ul style="list-style-type: none"> <li>• The power cord of the appliance is not plugged into the socket properly.</li> <li>• The fuse for the domestic supply is switched off.</li> </ul>	<ul style="list-style-type: none"> <li>• Check whether the power is on</li> <li>• The fuse must be switched on</li> </ul>
Alarm sound	<ul style="list-style-type: none"> <li>• Door is slightly open or has not been closed for over a minute.</li> </ul>	<ul style="list-style-type: none"> <li>• Close the door completely.</li> </ul>
The compressor does not work	<ul style="list-style-type: none"> <li>• It is currently defrosting</li> <li>• Power is not connected properly</li> </ul>	<ul style="list-style-type: none"> <li>• It is normal during defrosting period</li> <li>• Check whether the power is connected properly.</li> </ul>
Compressor runs too long	<ul style="list-style-type: none"> <li>• The fridge has recently been disconnected for a period of time.</li> <li>• Put too much fresh food or hot food.</li> <li>• Doors are opened too frequently or too long.</li> </ul>	<ul style="list-style-type: none"> <li>• It takes some hours for the fridge to cool down completely.</li> <li>• Hot food will cause the fridge to run longer until the desired temperature is reached.</li> <li>• Warm air entering the fridge causes it to run longer. Open the door less often.</li> </ul>
Vibrating	<ul style="list-style-type: none"> <li>• Floor is uneven or weak.</li> <li>• Items placed on the top of the fridge are vibrating.</li> <li>• Fridge is touching wall or cabinets.</li> </ul>	<ul style="list-style-type: none"> <li>• Be sure floor is level and solid and can adequately support fridge.</li> <li>• Remove items.</li> <li>• Move fridge so that it does not touch the wall or cabinets.</li> </ul>

# WARRANTY

**Unique Appliances Ltd. (hereafter “Unique”) warrants that this UNIQUE fridge is free from manufacturer’s defects in material and workmanship under normal usage and service under the following terms.**



## TERMS OF WARRANTY

Plastic parts are warranted for thirty (30) days from the date of purchase, with no extensions provided.

### Parts Warranty

This appliance has been designed for domestic household use. If properly installed, adjusted and operated under normal conditions in accordance with printed instructions, it will satisfactorily perform the functions that are generally expected of this type of appliance.

If the appliance fails to do so because of a defect in material or workmanship within **one year or two years** on the hermetically sealed compressor from the original date of purchase: Unique will at our option, repair, exchange, or correct by other means Unique consider appropriate, any part(s) Unique finds to be defective except for the surface finish.

### Ownership

This Warranty is made only to the first purchaser (“original purchaser”) who acquires this fridge for his/her own use and will be honored by Unique Appliances Ltd. and by the Seller. Purchaser must retain their receipt as proof of purchase date.

### Warranty Conditions

This warranty does not apply to any appliance that has been subjected to alterations, misuse, abuse (including damage by foreign agents or chemicals), accident, improper installation or service, delivery damage, or other than normal household use and service. This UNIQUE appliance must be serviced regularly as outlined in the Owner’s Manual. Neither Unique Appliances Ltd. nor the selling dealer will be liable for direct or indirect loss of foods caused by failure in operation. In case of damage, the owner must provide proof of purchase, Model, and Serial Number to the selling dealer or Unique Appliances Ltd. This warranty is LIMITED STRICTLY to the terms indicated herein, and no other expressed warranties or remedies thereunder shall be binding on Unique.

### Purchaser’s Responsibilities

The purchaser will be responsible for the costs of any service calls requested to demonstrate or confirm the proper operation of the appliance, the installation, or to correct malfunctions in the appearance created by the operation of the appliance in a manner not prescribed by or cautioned against in the use and care instructions.

### Model and Serial Number

The appliance model number and serial number can be found on a rating plate attached at the back of the fridge. The purchaser should always refer to the model and serial number when talking to or contacting the dealer from whom the appliance was purchased.

### EXCLUSIONS

Save as herein provided, by Unique, there are no other warranties, conditions, representations or guarantees, express or implied, made or intended by Unique or its authorized distributors and all other warranties, conditions, representations or guarantees, including any warranties, conditions, representations or guarantees under any Sale of Goods Act or like legislation or statute is hereby expressly excluded. Save as herein provided, Unique shall not be responsible for any damages to persons or property, including the unit itself, howsoever caused or any consequential damages arising from the malfunction of the unit and by the purchase of the unit, the purchaser does hereby agree to indemnify and hold harmless Unique from any claim for damages to persons or property caused by the unit

Removal or disfigurement of the serial plate will void the warranty. The purchaser will be responsible for any expenses involved in making the refrigerator readily accessible for servicing. The purchaser will be responsible for any extra charges where the installation is in a remote location such as un-assumed roads, islands, areas known as cottage country, more than 75 Km outside a Metropolitan area, or where a technician is not available. Freight damage is not covered by this warranty.

### GENERAL PROVISIONS

No warranty or insurance herein contained or set out shall apply when damage or repair is caused by any of the following:



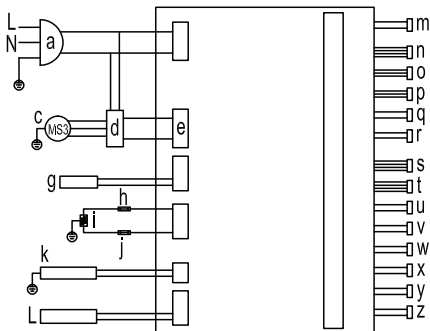

- 1) Power failure.
- 2) Damage in transit or when moving the appliance.
- 3) Improper power supply such as low voltage, defective house wiring or inadequate fuses.
- 4) Accident, alteration, abuse or misuse of the appliance such as inadequate air circulation in the room or abnormal operating conditions (ie. extremely high or low room temperature).
- 5) Use for commercial or industrial purposes (ie. If the appliance is not installed in a domestic residence).
- 6) Fire, water damage, theft, war, riot, hostility, acts of God such as hurricanes, floods etc.
- 7) Service calls resulting in customer education.
- 8) Improper Installation (ie. Building-in of a free standing appliance or using an appliance outdoors that is not approved for outdoor application, including but not limited to: garages, patios, porches or anywhere that is not properly insulated or climate controlled). Proof of purchase date will be required for warranty claims; retain bills of sale. In the event that warranty service is required, present the proof of purchase to our authorized service depot.




**Nothing within this warranty shall imply that Unique will be responsible or liable for any spoilage or damage to food or other contents of this appliance, whether due to any defect of the appliance, or its use, whether proper or improper**

### Factory Assistance

If the purchaser is unable to locate an authorized dealer/service agent, or if the purchaser does not receive satisfaction from the dealer, they may contact Unique Appliances Customer Service directly at Toll Free 1-877-427-2266 or 905-827- 6154

# RATING LABEL

	© Unique Appliances Ltd. All rights reserved. Designed and manufactured by: Unique Appliances Ltd., 2245 Wycroft Road #5, Oakville, Ontario, Canada, L6L 5L7.	© Unique Appliances Ltd. Tous droits réservés. Conçu et fabriqué par: Unique Appliances Ltd. 2245 Wycroft Road #5, Oakville, Ontario, Canada, L6L 5L7.	
<b>Model / Modèle : UGP-510L T AC, UGP-510L LG AC, UGP-510L B AC, UGP-510L W AC</b> Compressor Refrigerator / Réfrigérateur compresseur Made in China / Fabriqué en Chine			
Rated Voltage Tension Nominale	AC 115V	Total Volume Volume Total	17.7cu.ft. (500L)
Rated Frequency Fréquence Nominale	60Hz	High side Design Pressure Côté Haute Pression	250psi
Rated Current Courant Nominal	2.2A	Low side Design Pressure Côté Basse Pression	60psi
Rated Defrost Power Puissance de Dégivrage	190W	Refrigerant Réfrigérant	R600a
Maximum Ice-maker Power Puissance Maximale de Glaçons	180W	Amount Montant	2.33oz.(66g)
Type of Preventing From Electric Shock Type de prévention De Choc Electrique	Class I	Foaming Agent Agent Moussant	Cyclopentance
<b>ELECTRIC DIAGRAM / SCHÉMA ÉLECTRIQUE</b>			
 <p style="font-size: 8px;">CONFORMS TO UL STD. 60335-1 &amp; 60335-2-24," CERTIFIED TO CSA STD. C22.2 NO.60335-1 &amp; 60335-2-24".</p> <p style="font-size: 8px;">EN CONFORMITÉ AVEC UL STD. 60335-1 &amp; 60335-2-24," CERTIFIÉS CSA STD. C22.2 NO.60335-1 &amp; 60335-2-24"</p>			
FREE STANDING INSTALLATION ONLY UNIQUEMENT POUR INSTALLATION A POSITIONNEMENT LIBRE			

	© Unique Appliances Ltd. All rights reserved. Designed and manufactured by: Unique Appliances Ltd., 2245 Wycroft Road #5, Oakville, Ontario, Canada, L6L 5L7.	© Unique Appliances Ltd. Tous droits réservés. Conçu et fabriqué par: Unique Appliances Ltd. 2245 Wycroft Road #5, Oakville, Ontario, Canada, L6L 5L7.
<b>Serial # / n°de série:</b>  XXXXXXXXXXXXXXXXXXXXXXXXXX	<b>Model / Modèle : UGP-510L T AC, UGP-510L B AC, UGP-510L W AC, UGP-510L LG AC</b> Compressor Refrigerator / Réfrigérateur compresseur 	

\*LOCATED ON THE INSIDE OF THE REFRIGERATOR



## APPLIANCE INFORMATION

### APPLIANCE INFORMATION

(manual copy - keep with your records)

To make care and servicing of your fridge easy and efficient, please record the following information for future reference:

Model:

---

Serial Number:

---

Purchased From:

---

Date Purchased:

---

## PRODUCT REGISTRATION



Scan the QR Code

or

Visit our website at <https://uniqueappliances.com/product-registration/> to register your product.

## CONTACT US

For questions related to the operation, safety or the purchase of your fridge, please contact your dealer for more information. For general information, contact our customer service department:



**Email**

[info@UniqueAppliances.com](mailto:info@UniqueAppliances.com)



**Toll-free**

1-877-427-2266 or 1-905-827-6154  
(available during regular business hours, 8:30 am to 4:30 pm, EST.)



**Website**

[www.uniqueappliances.com](http://www.uniqueappliances.com)



© 2022 Unique Appliances Ltd., 2245 Wyecroft Road,  
Oakville, Ontario, Canada, L6L 5L7

**[www.uniqueappliances.com](http://www.uniqueappliances.com)**

serial number: