

# UNIQUE<sup>®</sup>

APPLIANCES

## UGP 6C/8C/10C/14C/14C CR PROPANE FRIDGE

---



6 CU/FT  
PROPANE  
FRIDGE

8 CU/FT  
PROPANE  
FRIDGE

10 CU/FT  
PROPANE  
FRIDGE

14 CU/FT  
PROPANE  
FRIDGE

CLASSIC RETRO  
BY UNIQUE  
14 CU/FT PROPANE  
FRIDGE

*Classic*  
by UNIQUE

APR2020V1

---

### OWNER'S GUIDE

serial number:



# UNIQUE UGP-6C/8C/10C/14C/14C CR PROPANE REFRIGERATOR INSTALLATION AND OWNER'S MANUAL

## **WARNING**

### **FIRE OR EXPLOSION HAZARD**

If you smell gas:

1. Open windows.
2. Do not attempt to light appliance and make sure the appliance is in the OFF position.
3. Extinguish any open flame.
4. Do not touch electrical switches.
5. Do not use electronic devices such as cell phones or landline phones.
6. Evacuate the building or recreational vehicle.
7. Shut off fuel supply at LP tank.
8. Call emergency services.

Failure to follow these instructions could result in fire or explosion, which could cause property damage, personal injury or death.

 **WARNING: In Canada, an unvented refrigerator shall only be installed in an area that is not normally occupied, not used in sleeping quarter and does not directly communicate with occupied areas.**

 **FOR YOUR SAFETY: Do not store or use gasoline or other flammable vapors and liquids in the vicinity of this unit or any other appliance.**

 **WARNING: Improper installation, adjustment, alteration, service or maintenance can cause injury or property damage. Refer to this manual. For assistance or additional information consult a qualified installer, service agency or the gas supplier.**

## **WARNING**

### **CARBON MONOXIDE POISONING MAY CAUSE DEATH OR INJURY**

When used without adequate combustion and ventilation air, the refrigerator may give off excess CARBON MONOXIDE, and odorless poisonous gas.

This is an unvented gas-fired appliance. The refrigerator uses air (oxygen) from the area in which the refrigerator is used. Adequate combustion and ventilation air must be provided. Refer to page 5.



The installation of the appliance must conform with local codes or, in the absence of local codes, to the national Fuel Gas Code, ANSI Z233.1 and in Canada B149.2 Propane Storage and Handling Code



# NOTICE TO INSTALLER/CUSTOMER

## PLEASE READ CAREFULLY BEFORE HOOK-UP!

1. The dwelling must have an adequate air supply and access to fresh air/oxygen in order to operate safely. Propane fridges/freezers, like any other gas appliance, must have access to fresh air/oxygen. This unvented appliance must not be used in an air-tight application.
2. This refrigerator must be installed by a licensed gas fitter.
3. The propane gas supply pressure regulator must be set at 11" water column.
4. The left side heat shield (facing front of the refrigerator) must be installed. The heat shield is shipped in the refrigerator carton attached to the fridge.
5. The safety and efficient operation the proper clearances on all sides and top must be maintained. The clearances are listed in the Owner's Manual.
6. The proper and efficient operation the refrigerator must be level, both side to side and front to back (use bubble type level).
7. The Combination Carbon Monoxide (CO) Alarm & Safety Shut-Off must be installed and connected (CM Models only) with the Alarm mounted as indicated in the Carbon Monoxide Alarm (Monitor) Installation Manual located in the CO Monitor Box.

**NOTE: It is illegal to operate this refrigerator in Canada without the Combination Carbon Monoxide Alarm & Safety Shut-Off installed, and will void the Canadian standards Association Certification. Non compliance will void the Canadian certification and void household/cottage insurance coverage.** This refrigerator vents combustion products directly into the living space. The CO Alarming Device with Safety Shut-Off has been added to this refrigerator to guard against potentially high levels of Carbon Monoxide, which can kill you. Once unsafe levels of CO are detected, an alarm will sound and the refrigerator will be shut off.

**WARNING:** Actuation of this device indicates the presence of unsafe levels of carbon monoxide (CO) which can KILL YOU. If alarm signal sounds:

- a. Immediately move to fresh air - outdoors or by an open door or window. Check that all persons are accounted for. Do not re-enter the premises or move away from the open door/window until the emergency services responders have arrived, the premises have been aired out, and your alarm remains in its normal condition;
  - b. Call emergency local service telephone number, fire department or 911.
  - c. The following symptoms may be related to CARBON MONOXIDE POISONING and should be discussed with ALL members of the household:  
Mild Exposure: Headaches, running nose, sore eyes, often described as "flu"-like symptoms;  
Medium Exposure: Dizziness, drowsiness, vomiting;  
Extreme Exposure: Unconscious, brain damage, death.
  - d. Read the instructions for complete information on Alarms Signals.
8. Regular maintenance of the fridge critical to prevent unsafe levels of Carbon Monoxide.

Before lighting the refrigerator at any time, clean the flue tube as per the Owner's Manual & make sure the burner and areas around the burner are free from any lint, spider webs or any other debris. Please record your appliance maintenance on the SERVICE RECORD label located at the back of your appliance.

WARNING - Test the Combination Carbon Monoxide & Safety Shut-Off device operation after the refrigerator has been in storage, before each start up, and at least once per week during use.

**Unique Appliances Ltd.,**  
2245 Wyecroft Road #5, Oakville, Ontario, Canada L6L 5L7  
Tel: 905-827-6154 - Toll Free: 1-877-427-2266 - Email: [info@uniqueappliances.com](mailto:info@uniqueappliances.com)  
[www.UniqueAppliances.com](http://www.UniqueAppliances.com)

# TABLE OF CONTENTS

Safety & Warnings	5	UGP-6C Parts Diagram & List	18
Appliance Installation	6	UGP-8C Parts Diagram & List	20
General Operating Instructions	8	UGP-10C Parts Diagram & List	22
How to use the Refrigerator	10	UGP-14C Parts Diagram & List	24
Maintenance & Service	13	UGP-14C CR Parts Diagram & List	26
Troubleshooting & Suggested Spares	14	UGP-9RV-SSO-C Parts Diagram & List	28
Door Reversal and Removal Instructions	15	Warranties	29
Temperature Controls, Food Storage & Cleaning	16	Contact Us	31

**Carbon Monoxide Instructions (CM Model)** - Instructions are located inside CO detector packaging that comes with your fridge.

## WELCOME & CONGRATULATIONS

Congratulations on your purchase of a UNIQUE refrigerator!. We are very proud of our product and we are completely committed to providing you with the best service possible. Your satisfaction is our #1 priority. Please read this manual very carefully. It contains valuable information on how to properly maintain your new gas refrigerator.

We know you will enjoy your new refrigerator and thank you for choosing one of our Unique Appliances. We hope you will consider us for future purchases.

### PLEASE READ AND SAVE THESE INSTRUCTIONS

This manual provides specific operating instructions for your model. Use your refrigerator only as instructed in this manual. These instructions are not meant to cover every possible condition and situation that may occur. Common sense and caution must be practiced when installing, operating and maintaining the appliance. Please record your model and serial # for future reference. This information is found on your CSA rating/serial plate on your appliance.

### PRODUCT REGISTRATION

Please visit our website at [www.uniqueappliances.com/product-registration/](http://www.uniqueappliances.com/product-registration/) to register your product.

Manufactured & Certified by Unique Appliances Ltd.

# SAFETY & WARNINGS

## If you smell gas

- Open Windows
- Don't touch electrical switches
- Extinguish any open flame
- Immediately call your gas supplier



## For your Safety

- Do not store or use gasoline or other flammable vapours and liquids in the vicinity of this unit or any other appliance

## Warning

- Improper installation, adjustment, alteration, service or maintenance can cause injury or property damage. Refer to this manual. For assistance or additional information consult a qualified installer, service agency or the gas supplier.
- This product can produce Carbon Monoxide. Carbon Monoxide has no odour and can kill you. The burner and flue system must be kept clean. See owner's manual for cleaning instructions.

## Installation Instructions

- The installation of the appliance must conform with local codes or, in the absence of local national Fuel Gas Code, ANSI Z233.1 and in Canada B149.2



**WARNING: The California Safe Drinking Water and Toxic Enforcement Act of 1986 (Proposition 65)** requires the Governor of California to publish a list of substances known to the State of California to cause cancer or reproductive harm. In addition, businesses must warn customers of potential exposure to such substances. Users of this appliance are hereby warned that the burning of gas can result in low level exposure to some of the listed substances, including formaldehyde, benzene, soot and carbon monoxide. This is caused primarily from the incomplete combustion of natural gas or LP fuel. Properly adjusted burners will minimize incomplete combustion. Exposure to these substances can also be minimized by properly venting the burners by opening a window.

# INSTALLATION

For best performance at high ambient temperatures, there must be free air circulation over the cooling unit at the rear of the refrigerator.

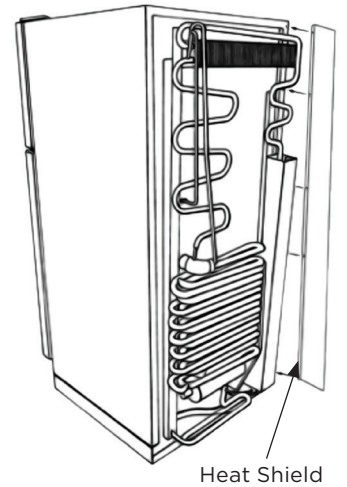
Ensure that there is a free air space above the refrigerator and that the flue (chimney) on top of the cabinet is not covered in any way. Do not place the refrigerator in a space where air circulation is restricted. Follow "clearance" instructions.

This free-standing refrigerator requires accessibility to the back for servicing the gas equipment, which can be obtained by using a certified Flexible Metal Connector to allow the refrigerator to be withdrawn without disrupting the gas supply. Where a flexible metal connector is used, it must comply with local authorities and in Canada with the provisions of the current Standard CAN 1- 6.10, Metal Connectors for Gas Appliances. However, if the Local Authorities require a rigid gas supply connector, the refrigerator should be located with sufficient space at the back for servicing or, if located against a wall a removable panel of a minimum size of 16" x 20" should be provided in the wall to allow access to the rear of the refrigerator. If you purchased a CM (CO Monitor model) you must follow instructions that were included with your CO

## HEAT SHIELD

The heat shield must be installed before operating the appliance. This is a CSA requirement.

Unwrap the heat shield (located inside the box attached to the appliance). Mount heat shield with the screws (supplied) to the right side of the fridge.



## CLEARANCES

Minimum clearances to combustible materials are:

Top - 6"

Sides - 2"

Rear - 1" as shown in Figures. 1, 2 & 3.

Note: DO NOT install the appliance directly on carpeting. Carpeting must be removed or protected by a metal or wood panel beneath the appliance, which extends at least the full width and depth of the appliance.

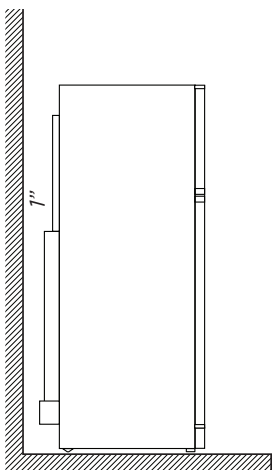


Fig. 1

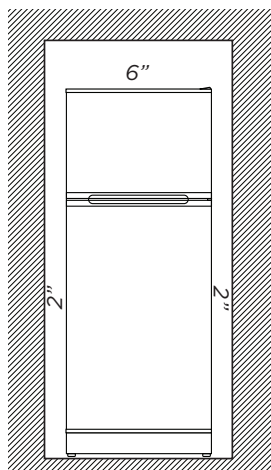


Fig. 2

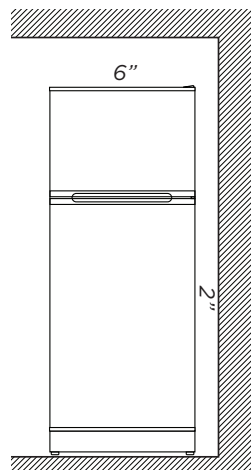


Fig. 3

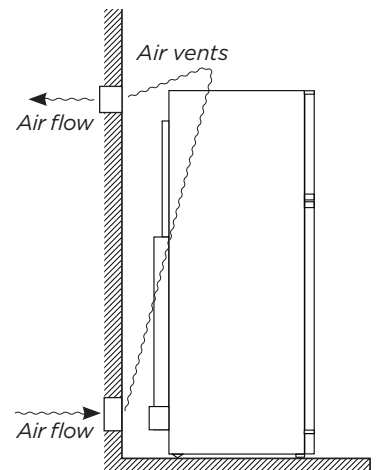


Fig. 4 Air flow - to release heat trap

# INSTALLATION

- Fig. #1 - This is ideal as both top and sides are open
- Fig. #2 - During hot/humid weather this confined area will become very warm. To reduce heat build-up, we recommend providing an area for two air vents to circulate the air. One placed 6" off the floor and the other at or above the appliance top. Cold air return vents with adjustable louvres/dampers, works very well. This will allow hot air to evacuate the area and assist in air flow across the fins (similar to air passing across a radiator) - **See Fig. #4**
- Fig. #3 - If this is your opening you only need to stay the diagrammed distance from the wall and ceiling. There is no need for additional venting.

## GAS CONNECTION

Hook-up to the gas supply line: 3/8" SAE (UNF 5/8" - 18) male flare connection. A backup wrench must be used when tightening gas supply fitting. All completed connections should be checked for leaks with a non-corrosive leak detector and/or soap and water for a bubble check.



### **WARNING - DO NOT USE FLAME TO CHECK FOR GAS LEAKS**

The gas supply system must incorporate a pressure regulator to maintain a supply pressure of not more than 12" water column and no less than 11" water column (max setting).

Make sure the refrigerator and any other high BTU appliances on your line are turned on when checking the gas pressure. The appliance and its individual shut-off valve must be disconnected from the gas supply piping system during any pressure testing of that system at pressures in excess of 1/2" psig.

In case detailed instructions on the installation and connection of the gas supply are required, contact your dealer or distributor.

## LEVELLING

Ensure the fridge is level by using a 2' level. Level the fridge front to back and left to right using the top of the appliance. There are no levelling legs at the back of the appliance just at the front; if the back of your floor is uneven you will have to use shims of some sort to ensure the appliance is level. See the importance of levelling explained on next page.

# GENERAL OPERATING INSTRUCTIONS

## IMPORTANCE OF LEVELING A REFRIGERATOR

The refrigerator must be adjusted to a vertical position in both directions. In an absorption refrigeration system, ammonia is liquefied in the finned condenser coil at the top rear of the refrigerator. The liquid ammonia then flows into the evaporator (inside the freezer section) and is exposed to circulating flow of hydrogen gas, which causes the ammonia to evaporate, creating a cold condition in the freezer.

When starting this refrigerator for the very first time, the cooling cycle may require up to 8 hours of running time before the cooling unit is fully operational to begin slowly loading compartment with cold food from your cooler.

At room temperatures under 60°F (15.5°C), there is a risk that the temperature in the main compartment will drop below freezing point, even with the thermostat at the warmest setting. Optimal operating temperatures shall be between 65°F (18°C) and 90°F (32°C). Storage and non-operating temperatures can be between 5°F (-15°C) and 104°F (40°C). The fridge must always be brought up to average room temperature before starting e.g. 65°F (18°C).

The tubing in the evaporator section is specifically sloped to provide a continuous movement of liquid ammonia, flowing downward by gravity through this section. If the refrigerator is operated when not level, liquid ammonia will accumulate in sections of the evaporator tubing. This will slow the circulation of hydrogen and ammonia gas, or in severe cases, completely block it, resulting in a loss of cooling. Warranty will not cover recharge/rebuild if caused by not running the fridge level.

## THIS REFRIGERATOR OPERATES ON LP GAS (PROPANE) & 110V (ELECTRICITY)

*Note: After changing an LP tank, or after a long shut off period, the gas line is likely to be filled with air. You may have to repeat the lighting procedure several times to purge the air out of the gas lines. We suggest first turning off gas at the control panel, then the tank, this will reduce an air trap in the gas line.*

## GAS OPERATION - FOR MODELS WITH ELECTRONIC IGNITION

### “START-UP” PROCEDURE

#### Electronic Ignition (battery)

1. To start the refrigerator, turn the thermostat knob E to the maximum setting, #4.
2. Turn button G to “Gas” position, then push B button in first and hold, proceed to push in and hold the D button until you see the needle on the flame sensor C moving from the red into the green area. Release the B button, while continuing to hold in the D button for an additional 10-15 seconds, now release the D button. The burner should now stay on indicated by the needle staying in the green area, if not repeat the lighting instructions above.
3. Adjust the thermostat knob E to desired temperature setting after eight (8) or more hours of operation.
4. To change the battery in the electronic ignition, turn the far left knob A to the left to expose the battery, remove AAA battery and replace with a new one, positive outwards, replace the knob by turning to the right to close.

## SHUT DOWN PROCEDURE - GAS OPERATION

1. Turn selector knob G to the OFF position
2. Shut the gas off at the LP-gas supply cylinder when the appliance is not in use.
3. If the refrigerator will not be in operation for a period of weeks, it should be emptied, defrosted, cleaned and the door left open.

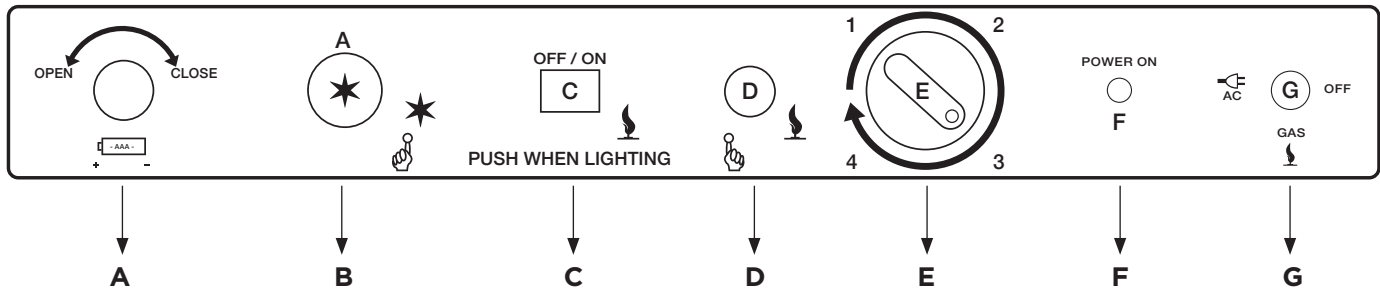


# GENERAL OPERATING INSTRUCTIONS

## 110V OPERATION

1. Ensure the electrical cord is plugged into a grounded outlet
2. Turn the selector switch G to AC position, AC power indicator F will illuminate
3. To start the refrigerator, turn the thermostat knob E to the maximum setting.
4. Adjust the thermostat knob to desired temperature setting after 8 hours of operation.

**CONTROLS** - See Fig. #5 for a description of controls



## THERMOSTAT

The refrigerator cooling temperature is controlled by a thermostat that can be adjusted by turning knob E to different settings to maintain the desired refrigerator temperature. It also incorporates a safety device which automatically shuts off the supply of gas if the flame goes out. The electronic ignition discharges sparks onto the burner when the appropriate button is pushed.

1. **“MIN” Setting on the Gas Thermostat:** In gas operation, the thermostat closes its main valve and the burner runs continuously at the bypass rate or pilot flame. (Counter-clockwise turn). If left at the minimum position for an extended period of time the fridge will defrost.
2. **“MAX” Setting of the Thermostat:** In gas operation, the thermostat allows the burner to remain on high flame continuously. (Clockwise turn)
3. The thermostat can be adjusted between “Max” and “Min” (4 or 1) to obtain the desired fridge temperature.

When the thermostat reaches the set temperature, it will cut the burner back to bypass operation other than Max and Min setting.

The setting of the thermostat is critical and we recommend it be adjusted to maintain a dry frost on the cooling fins (approx. 38° Fahrenheit or 3° Celsius). Adjust the thermostat knob closer to “Max” (clockwise) when the outside temperature rises.

**NOTE:** When first turning the refrigerator on, move refrigerator controls to maximum, which is the recommended initial setting. After 24 hours, adjust the controls as needed.

# GENERAL OPERATING INSTRUCTIONS

## HOW TO USE THE REFRIGERATOR

### ***Food Storage Compartment***

The food storage compartment is completely closed and unventilated, which is necessary to maintain the required low temperature for food storage. The coldest areas in the refrigerator are under the cooling fins and at the bottom of the refrigerator. The warmer areas are on the upper door shelves. This should be considered when placing different types of food in the refrigerator.

### ***Frozen Food Storage Compartment***

Quick frozen soft fruits and ice cream should be placed in the coldest part of the compartment which is at the bottom. Frozen vegetables may be stored in any part of the compartment.

This compartment is not designed for deep or quick freezing of food. Meat or fish, whether raw or prepared, can be stored in the frozen food storage compartment provided they are pre-cooled in the refrigerator. To prevent food from drying out, keep it in covered dishes, containers, plastic bags or wrapped in aluminum foil.

## DEFROSTING

Frost will gradually accumulate inside the refrigerator and freezer surfaces. It must not be not allowed to grow too thick as it acts as an insulator and adversely affects the refrigerator performance. Check the formation of frost every couple of weeks and when it exceeds 1/2" thick or more defrost the refrigerator.

Shut off and empty the refrigerator, leaving the fridge and the freezer doors open.

Defrosting time can be reduced by filling the ice tray with hot water and placing it in the freezer compartment. You can also open the doors without shutting off the appliance to defrost the fridge; the process will just be a bit slower.



**DO NOT USE A HOT AIR BLOWER AS PERMANENT DAMAGE COULD RESULT. DO NOT USE A KNIFE, AN ICE PICK, OR ANY OTHER SHARP TOOLS TO REMOVE FROST FROM THE FREEZER COMPARTMENT.**



## FRIDGE SECTION

Inside the refrigerator compartment, the defrost water runs from a collector channel to a drip tray/cup at the rear of the refrigerator where it normally evaporates. If heavy frost has built up on the cooling fins creating a lot of defrost water. Be aware your water reservoir may overflow. We suggest you inspect reservoir before/after cycle.

## FREEZER SECTION

This area must be wiped down with cloths to remove water after defrosting; there is no drain for this compartment. When all frost is melted in the freezer compartment & interior of the refrigerator it should be wiped up with a clean cloth. Replace all food and set the thermostat to your desired setting.

# GENERAL OPERATING INSTRUCTIONS

## CLEANING

Cleaning the refrigerator is usually done after it is defrosted or put into storage. To clean the interior liner of the refrigerator, use lukewarm weak soda solution. Use only warm water to clean the finned evaporator, gasket, ice trays and shelves.



Never use strong chemicals or abrasives to clean these parts as the protective surfaces will be damaged. It is important to always keep the refrigerator clean. Dishwasher detergent is recommended.

## INSIDE LIGHT

The interior light turns on when the door is open. The light uses four AA batteries located at the back of the appliance.

To change the batteries, use the following procedure:

1. Go to the back of the appliance and pop off black cover.
2. Remove and replace the 4 x AA batteries.
3. Pop the black cover, back on.
4. The light will come on when the fridge door is open, and will shut off when the fridge door is closed by a switch located at the upper right-hand side of the inner portion of the fridge. You can check its operation by manually pressing and releasing the switch.

## SHUT DOWN PROCEDURE

- A. Turn gas valve knob to the “off” position
- B. If the refrigerator will not be in operation for a period of weeks, it should be emptied, defrosted, cleaned and the doors left open. The ice tray should also be dried and kept outside the cabinet, also turn off gas at the main supply source.

# MAINTENANCE AND SERVICE

The user should be aware of service that must be done on a regular schedule to keep the refrigerator operating properly. Installation must be by a licensed gas fitter in accordance with local codes or in the absence of local national Fuel Gas Code, ANSI Z233.1 and in Canada B149.2 Propane Storage and Handling Code (latest edition).

## REFRIGERATOR REMOVAL and PERIODIC MAINTENANCE

Before working on the refrigerator, shut off the gas supply. Disconnect the gas supply line at the rear of the refrigerator. Always use a back-up wrench when loosening and tightening this connection. Cap the gas supply line and remove the refrigerator.

Replacement is the reverse of removal. Check all connections for gas leaks.

### Refer to Installation

To keep your refrigerator operating effectively and safely, periodic inspection and cleaning of several components is recommended once or twice a year, sometimes more often depending on the environment.

- It's important to keep the area at the back of the refrigerator clean. Clean the coils on the back of the refrigerator. Use a soft bristled brush to dust off the coils.

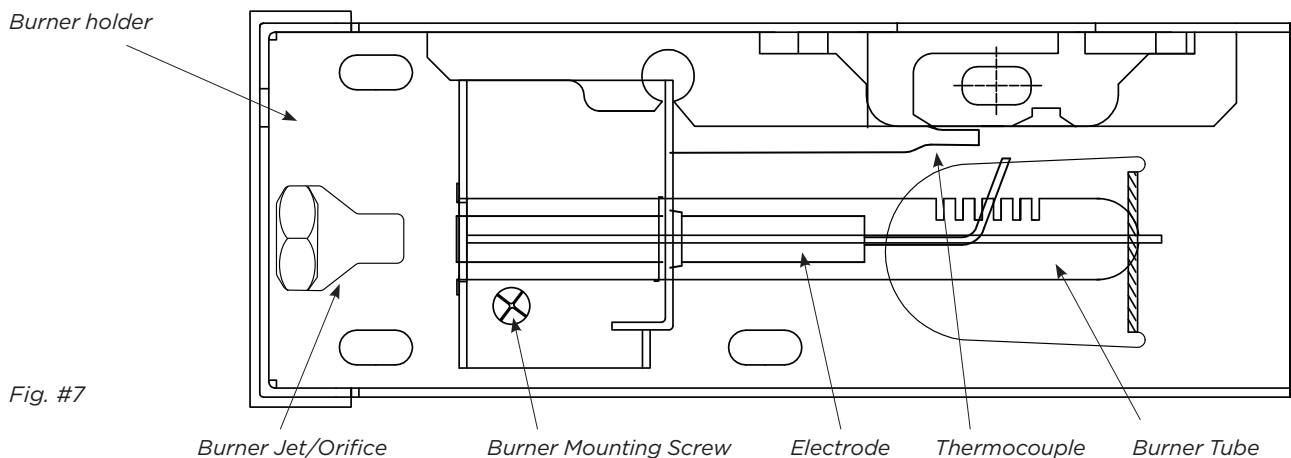
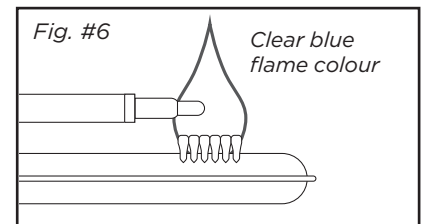
**Note: The following maintenance is required at least once or twice a year.**

- Check all connectors in the complete refrigerator LP gas system for gas leaks.
- The LP gas supply must be turned on. Apply a non-corrosive bubble solution to all LP connections. The appearance of bubbles indicates a leak and should be repaired immediately by a qualified serviceman.



**WARNING - DO NOT USE FLAME TO CHECK FOR GAS LEAKS**

Check burner flame for proper appearance. The flame should be light blue with no yellow at the tip. See Fig. #6

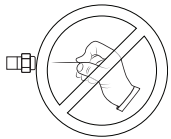


## MAINTENANCE AND SERVICE

The LP gas pressure should be checked and the main regulator readjusted if pressure is incorrect. The correct operating pressure is 11" W.C. (water column).

Inspect the flue baffle, it should be clean and free of soot. Any soot formation indicates improper functioning of the burner. The flue and burner both require cleaning in the following manner:

- Remove cover from the burner housing.
- Remove the burner by removing the burner mounting screw
- Remove the wire and flue baffle from the top of flue tube. Clean the flue from the top using a flue brush and be sure to cover the burner if remaining intact to eliminate dirt falling into the burner. Blowing compressed air into the flue should clean out soot and scale. Replace the flue baffle.
- Clean burner tube with compressed air, check for fluff or spider webs.
- Before removing burner orifice, clean burner area of any soot, scale or dirt. Remove the orifice/burner jet and soak it in alcohol (isopropyl alcohol or thinners) and blow it out with compressed air. Re-install and tighten burner orifice.
- Replace burner



**WARNING - DO NOT** use a pin or wire when cleaning the burner orifice as damage can occur to the precision opening. This can cause damage to the refrigerator or create a fire hazard. It will also create **extremely dangerous** levels of carbon monoxide.

- The inlet and outlet gas fittings on the refrigerator need to be checked for leaks. Apply a non-corrosive bubble solution to the fittings and observe for leaks. The safety valve will not allow gas pressure to any connections between it and the burner orifice. These fittings must be checked while burner is in operation (gas flow will be present between safety valve and burner head).



**WARNING -** The gas button **D (Fig. #5)** must be manually depressed to allow gas pressure to flow to the burner orifice. Be sure to apply the leak check solution before depressing the safety shut-off. **DO NOT** allow any open flame, sparks, smoking, etc. in the area of the test. **DO NOT** depress safety shut-off for over 30 seconds.

- If a leak occurs, then allow ten minutes to dissipate from the burner area. Fix leak then light the burner according to the instructions under GENERAL OPERATING INSTRUCTIONS - GAS OPERATION.

# TROUBLESHOOTING INSTRUCTIONS & SUGGESTED SPARE PARTS

## REFRIGERATOR DOES NOT COOL, CHECK LIKELY CAUSES:

1. Burner orifice clogged. Clean. See section Maintenance & Service,
2. Check to ensure refrigerator is level - (left to right and front to back).
3. Restriction on airflow across cooling unit.
4. Heavy frost build-up on evaporator fins. Defrost.
5. Flue baffle not inserted properly in flue tube.
6. Improperly set thermostat. See paragraph on the thermostat. In hot weather or heavy use the setting should be closer to "Max" than usual.
7. Burner dirty. Clean. See Section MAINTENANCE & SERVICE, PERIODIC MAINTENANCE
8. LP gas pressure low at the burner. Regulator pressure must not drop below 11 inches W.C. (water column).  
GAS CONNECTION
9. Burner not located properly under the flue tube. Relocate; flame must be directly into the flue
10. Burner damaged. Replace.
11. Odours and fumes
  - Dislocated burner
  - Damaged Burner
  - Dirty orifice
  - Dirty flue tube.

## SPARE PARTS

The following is a list of commonly used parts which are available:

- Burner orifice
- Burner
- Electrode with wire
- Thermocouple
- Safety valve & Thermostat
- Baffle

Contact your dealer or an authorized service center for parts and repairs as needed.

Quote Model & Serial # - See CSA rating/serial plate at the back of your appliance.

## DOOR REMOVAL & REVERSAL INSTRUCTIONS

**NOTE:** The direction in which your refrigerator doors open (door swing) can be reversed, from left to right or right to left, by moving the door hinges from one side to the other. Reversing the door swing should be performed by a qualified person.

1. Remove top hinge cover.
2. Remove top hinge with Phillips screwdriver and lift freezer door off of center hinge and set door aside.
3. Unscrew center hinge with Phillips screwdriver.
4. Lift refrigerator door off of bottom hinge and set aside.
5. Remove bottom hinge with Phillips screwdriver.
6. Now remove all plugs and caps from opposite side and place them in the holes you just remove the screws from.
7. Using a Phillips screwdriver fasten the bottom hinge in place using the screws you previously removed.
8. Place fridge door on bottom hinge, then place middle hinge in top hole of fridge door and using the Phillips screwdriver, fasten the middle hinge in place using the screws you previously removed.
9. Now place the freezer door on top of the middle hinge, then place top hinge in top hole of the freezer door and using the Phillips screwdriver, fasten the top hinge in place using the screws you previously removed.
10. Tighten all screws while making adjustments where necessary to ensure they are aligned correctly and closing well against the cabinet, this will reduce any excessive frost build up.

**IMPORTANT:** After reversing the door hinge, the door gasket may be loose. Should you notice a gap between the gasket and the cabinet, use a hairdryer or heat gun and heat the gasket while on the appliance. The gasket will expand to meet the cabinet. Allow 30 minutes to cool before opening. A correct gasket positioning is the key to prevent refrigerated air from escaping. Best to perform in the evening before bedtime.

# TEMPERATURE CONTROLS

**NOTE:** Due to the nature of a gas operated absorption fridge, temperatures in the fridge compartment will drop to freezing even on the lowest setting when the ambient temperature surrounding the fridge drops to or below 60° F/ 15.0° C overnight and will freeze your food or drink products. An absorption fridge is always cooling when operating, as the ambient drops surrounding the appliance so does the temperature inside the fridge.

## COOL DOWN PERIOD

To ensure safe food storage, allow the refrigerator to operate with the doors closed for at least 8 hours before loading it with food.

## REFRIGERATOR CONTROL

NOTE: When first setting the controls or when changing a setting, wait 24 hours for the temperature to stabilize before making additional changes.

## TEMPERATURE ADJUSTMENT

- Adjust temperature gradually: move the knob in small increments, allowing the temperature to stabilize.
- For colder temperatures, turn the knob clockwise.
- For warmer temperatures, turn the knob towards counter-clockwise. Turning the refrigerator control will change temperatures in both compartments.

Remember there is no fan to circulate the air in the refrigerator and freezer compartments as in an electric fridge. For good circulation, do not block the cooling fins and try to maintain a temperature of 38°F or 4°C in the fridge.

**NOTE:** When first turning the refrigerator on, move refrigerator controls to maximum, which is the recommended initial setting. After 24 hours, adjust the controls as needed.

## LOOKING INSIDE

### Shelf Adjustment

Refrigerator shelves are easily adjusted to suit individual needs. Before adjusting the shelves, remove all food.

### Crisper & Deli Drawers

The crisper, located under the bottom refrigerator shelf, are designed for storing fruits, vegetables, and other fresh produce. Wash items in clear water and remove excess water before placing them in the crisper. Items with strong odours or high moisture content should be wrapped before storing.

## FOOD STORAGE IDEAS

### Fresh Food Storage

- The fresh food compartment should be kept between 38°F and 40°F (3.3°C and 4.4°C) with an optimum temperature of 38°F (3.3°C).
- Avoid overcrowding the refrigerator shelves. This reduces the circulation of air around the food and results in uneven cooling.

**Note:** The purchase of a remote thermostat is an ideal way to understand how your appliance functions inside; a sending unit is placed inside your fridge while the temperature display sits on your kitchen counter. You can keep track of the interior temperature of the fridge without opening the fridge door.

### Fruits and Vegetables

- Storage in the crisper drawers traps moisture to help preserve the fruit and vegetable quality for longer time periods.



# TEMPERATURE CONTROLS

## Meat

- Raw meat and poultry should be wrapped securely so leakage and contamination of other foods or surfaces does not occur.

## FROZEN FOOD STORAGE

- The freezer compartment should be kept at 8.6°F (-13°C) at a 77°F (25°C ) room ambient
- A freezer operates most efficiently when it is slowly loaded to 2/3 full.

## PACKAGING FOODS FOR FREEZING

- To minimize dehydration and quality deterioration, use aluminum foil, freezer wrap, freezer bags or airtight containers.
- Force as much air out of the packages as possible and seal them tightly.
- Trapped air can cause food to dry out, change color, and develop an off-flavour (freezer burn).
- Wrap fresh meats and poultry with suitable freezer wrap prior to freezing.
- Do not refreeze meat that has completely thawed.

## LOADING THE FREEZER

- Avoid adding too much warm food to the freezer at one time. This overloads the freezer, slows the rate of freezing, and can raise the temperature of frozen foods.
- Leave a space between the packages, so cold air can circulate freely, allowing food to freeze as quickly as possible.
- Avoid storing hard-to-freeze foods such as ice cream and orange juice on the freezer door shelves. These foods are best stored in the freezer interior where the temperature varies less.

## CARE AND CLEANING

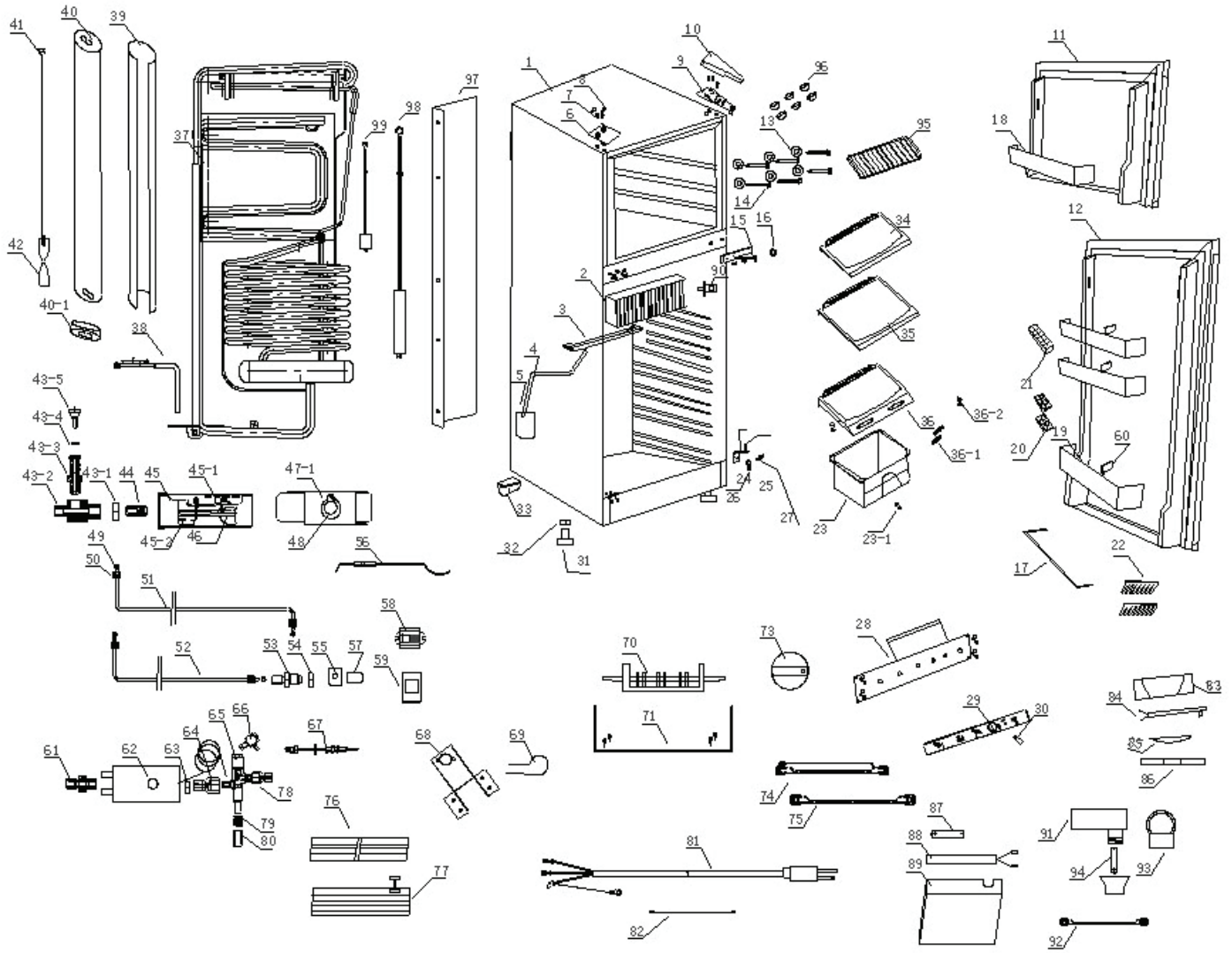
Keep your refrigerator and freezer clean to prevent odour build-up. Wipe up any spills immediately and clean both sections at least twice a year. Never use metallic scouring pads, brushes, abrasive cleaners or strong alkaline solutions on any surface. Do not wash any removable parts in a dishwasher.

- When moving the refrigerator, pull straight out. You must turn gas off at the source or have adequate flex line to move the refrigerator. Do not shift the refrigerator from side to side as this may tear or gouge the floor covering and damage the gas supply line.
- Damp objects stick to cold metal surfaces. Do not touch refrigerated surfaces with wet or damp hands.

## NOTES:

Do not use razor blades or other sharp instruments, which can scratch the appliance surface when removing adhesive labels. Any glue left from tape or labels can be removed with a mixture of warm water and mild detergent, or, touch the glue residue with the sticky side of tape you have already removed. Do not remove the certification/serial plate, lighting instructions or CO warning label.

# UGP-6C PARTS DIAGRAM & LIST

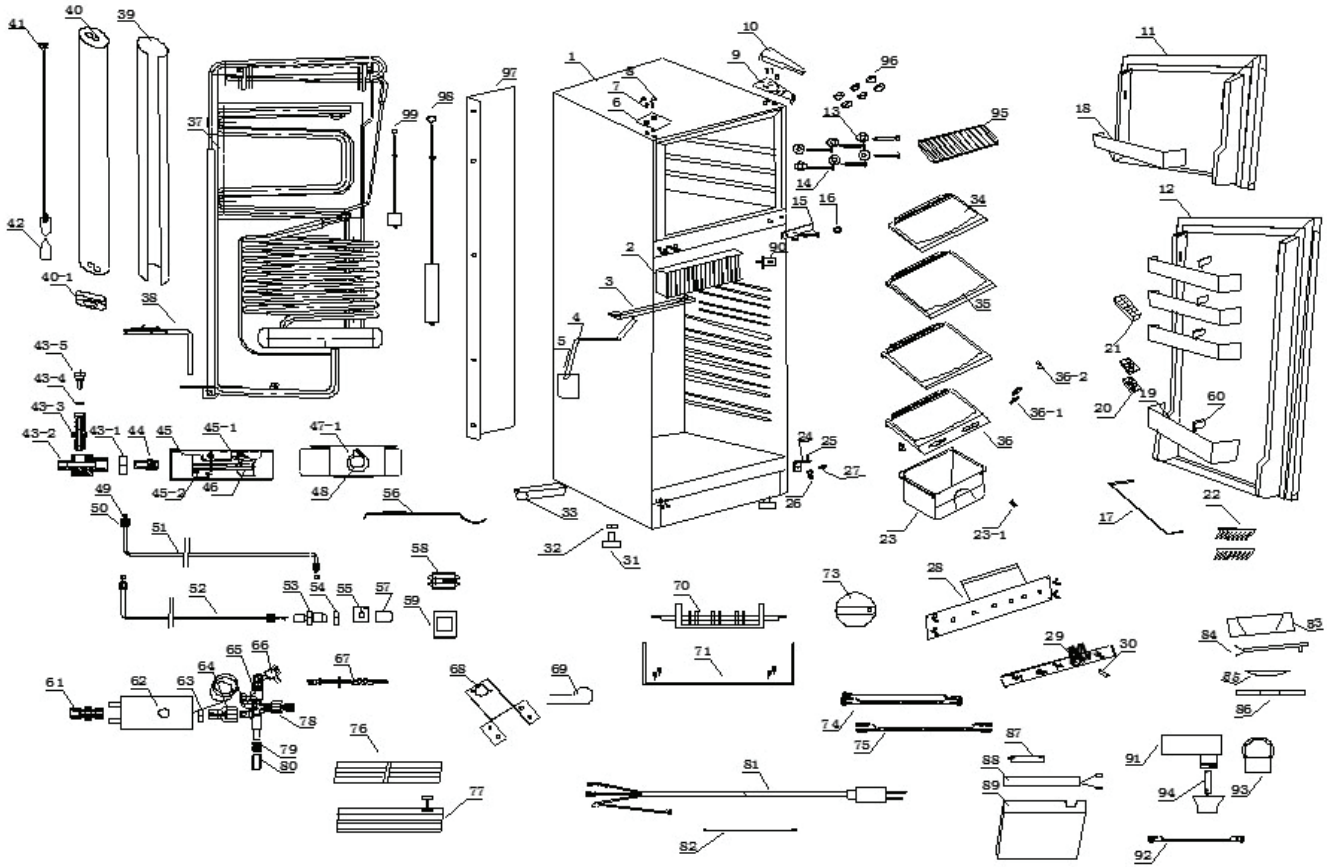


# UGP-6C PARTS DIAGRAM & LIST

No.	Item	Code
1	Cabinet	N/A
2	Heat sink	UGP-DL27501852
3	Drip tray	UGP-DL22501423
4	Drainage hose	UGP-DL00010078
5	Drip pan	UGP-DL10001155
6	Hinge cover	UGP-DL22501399
7	Screw	UGP-DL00003005
8	Screw cap	UGP-DL10001193
9	Top hinge	UGP-DL22001079
10	Top hinge cover	UGP-DL22501398
11	Freezer door - White	UGP-DL90000008
11	Freezer door - Black	UGP-DL90000009
12	Fridge door - White	UGP-DL90000012
12	Fridge door - Black	UGP-DL90000013
13	Washer	UGP-DL03001603
14	Screw	UGP-DL27501364
15	Middle hinge	UGP-DL27501359
16	Washer	UGP-DL03001602
17	Bottle rack	UGP-DL22502213
18	Freezer balcony	UGP-DL18502271
19	Fridge balcony	UGP-DL22502240
20	Egg tray	UGP-DL10001104
21	Ice tray	UGP-DL03001003
22	Bottle holder	UGP-DL18301133
23	Crisper	UGP-DL22501352
23-1	Top wearing plate	UGP-DL27501311
24	Bottom hinge	UGP-DL27501239
25	Bottom hinge pin	UGP-DL02201204
26	Spring washer	UGP-DL00003018
27	Screw	UGP-DL00003005
28	Control panel	UGP-DL27501860
29	Control label	UGP-DL27501862
30	Lamp	UGP-DL00013598
31	Foot	UGP-DL27501495
32	Screw	UGP-DL00003068
33	Castor	UGP-DL14502522
34	Top shelf	UGP-DL22501325
35	Middle shelf	UGP-DL27501433
36	Bottom shelf	UGP-DL22501326
36-1	Ventilation hood	UGP-DL27501310
36-2	Bottom wearing plate	UGP-DL27501312
37	Cooling unit	UGP-DL18503352
38	Heater	UGP-DL27501293
39	Glass wool	UGP-DL00006030
40	Insulation cover	UGP-DL18501020
40-1	Cover cap	UGP-DL22501173
41	Baffle	UGP-DL27501007
42	Baffle holder	UGP-DL18502082
43	Checkpoint assembly	UGP-DL27501365
43-1	Screw	UGP-DL10001474
43-2	Test valve body	UGP-DL10001498
43-3	Connector	UGP-DL10001501
43-4	Washer	UGP-DL00009306
43-5	Screw	UGP-DL22501206
44	Injector	UGP-DL10001713
45	Burner assembly	UGP-DL6810V3CONKIT

No.	Item	Code
45-1	Burner bracket	UGP-DL22502507
45-2	Burner tube support	UGP-DL10001476
46	Burner tube	UGP-DL10001142
47	Burner cover assembly	UGP-DL22502506
47-1	Burner cover	UGP-DL22502508
48	Cover window	UGP-DL10001186
49	Seal ring	UGP-DL10001136
50	Nut	UGP-DL10001630
51	Outlet Gas Pipe	UGP-DL22501300
52	Inlet Gas Pipe	UGP-DL22501303
53	Gas connector	UGP-DL10001586
54	Nut	UGP-DL00003075
55	Connector bracket	UGP-DL10001096
56	Electrode	UGP-DL27501257
57	Gas inlet cap	UGP-DL00010139
58	Flame indicator	UGP-DL10001527
59	Bracket	UGP-DL27501355
60	Balcony spacer	UGP-DL08502163
61	Connector	UGP-DL10001114
62	Thermostat	UGP-DL18301115
63	Nut	UGP-DL18301029
64	Connector	UGP-DL10001405
65	Safety valve	UGP-DL18301005
66	Connector	UGP-DL10001818
67	Thermocouple	UGP-DL10001523
68	Thermostat bracket	UGP-DL27501354
69	Power cord holder	UGP-DL28801267
70	Rotary switch	UGP-DL10001213
71	Bracket	UGP-DL27501247
73	Knob	UGP-DL27501362
74	Thermostat Wire	UGP-DL27501292
75	Thermocouple Wire	UGP-DL10001350
76	Front bottom	UGP-DL27501328
77	Rear bottom	UGP-DL27501329
78	Connector	UGP-DL10001406
79	Spring	UGP-DL10001145
80	Button	UGP-DL18301034
81	Power cord	UGP-DL10001252
82	Grounding wire	UGP-DL10001056
83	Lamp box	UGP-DL04001634
84	Lamp board	UGP-DL27501160
85	Lamp cover	UGP-DL04001633
86	Lamp box bottom	UGP-DL04001632
87	Battery	UGP-DL00013848
88	Battery holder	UGP-DL27501190
89	Battery cover	UGP-DL27501342
90	Lamp switch	UGP-DL00013660
91	Battery igniter	UGP-DL18301371
92	Pulse ignition wire	UGP-DL22501187
93	Push button switch	UGP-DL18301372
94	Battery	UGP-DL00013847
95	Freezer shelf	UGP-DL222501280
96	Screw cover	UGP-DL27501363
97	Heat shield	UGP-DL18501044
98	Big brush	UGP-DL22001096
99	Small brush	UGP-DL27501318

# UGP-8C PARTS DIAGRAM & LIST

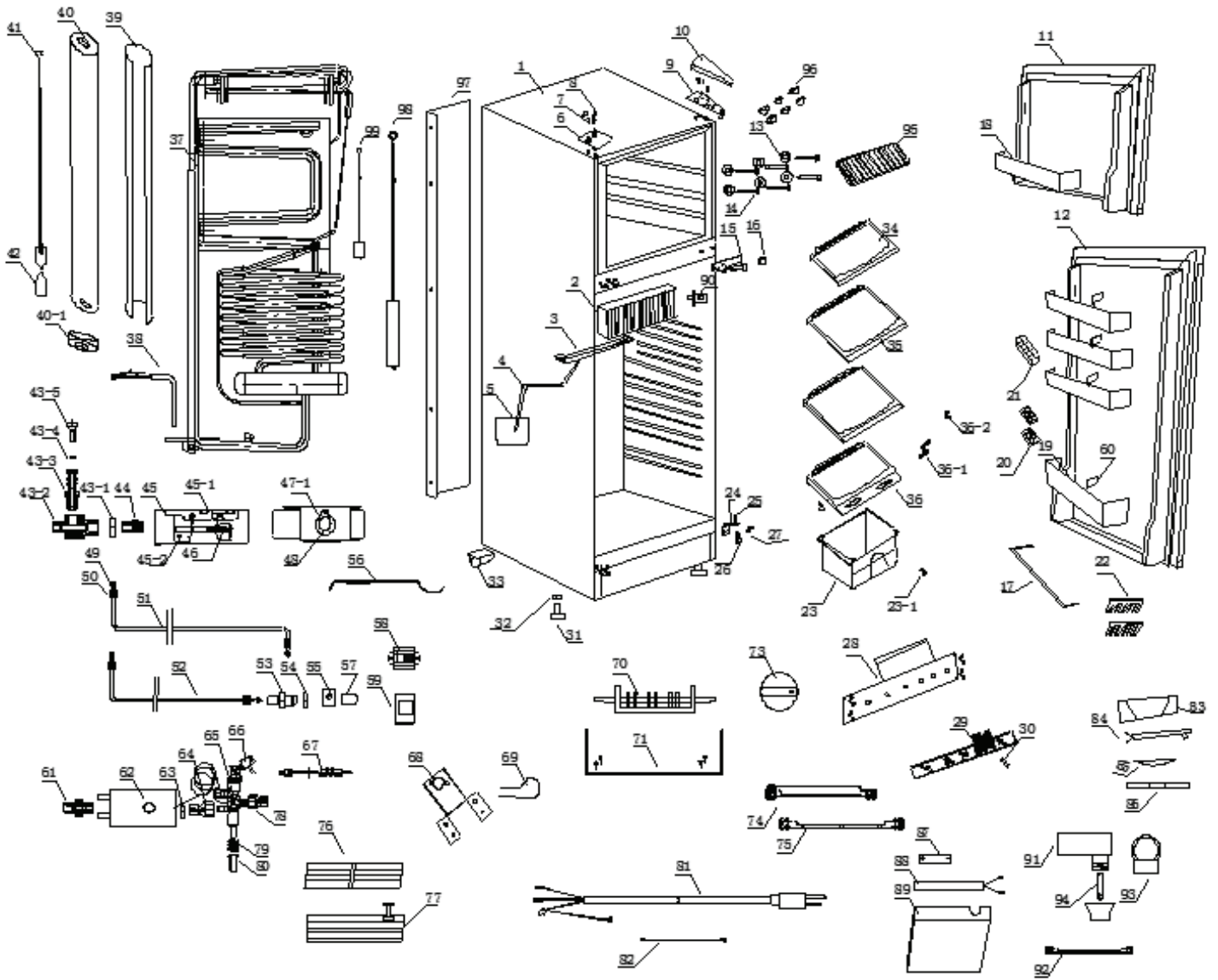


## UGP-8C PARTS DIAGRAM & LIST

No.	Item	Code
1	Cabinet	N/A
2	Heat sink	UGP-DL27501852
3	Drip tray	UGP-DL22501423
4	Drainage hose	UGP-DL00010078
5	Drip pan	UGP-DL10001155
6	Hinge cover	UGP-DL22501399
7	Screw	UGP-DL00003005
8	Screw cap	UGP-DL10001193
9	Top hinge	UGP-DL22001079
10	Top hinge cover	UGP-DL22501398
11	Freezer door-White	UGP-DL90000008
11	Freezer door-Black	UGP-DL90000009
11	Freezer door-Stainless	UGP-DL90000010
12	Fridge door-White	UGP-DL90000005
12	Fridge door-Black	UGP-DL90000006
12	Fridge door-Stainless	UGP-DL90000007
13	Washer	UGP-DL03001603
14	Screw	UGP-DL27501364
15	Middle hinge	UGP-DL27501359
16	Washer	UGP-DL03001602
17	Bottle rack	UGP-DL22502213
18	Freezer balcony	UGP-DL18502271
19	Fridge balcony	UGP-DL22502240
20	Egg tray	UGP-DL10001104
21	Ice tray	UGP-DL03001003
22	Bottle holder	UGP-DL18301133
23	Crisper	UGP-DL27501436
23-1	Top wearing plate	UGP-DL27501311
24	Bottom hinge	UGP-DL27501239
25	Bottom hinge pin	UGP-DL02201204
26	Spring washer	UGP-DL00003018
27	Screw	UGP-DL00003005
28	Control panel	UGP-DL27501860
29	Control label	UGP-DL27501862
30	Lamp	UGP-DL00013598
31	Foot	UGP-DL00010053
32	Foot	UGP-DL27501495
33	Screw	UGP-DL00003068
34	Top shelf	UGP-DL27501433
35	Middle shelf	UGP-DL27501434
36	Bottom shelf	UGP-DL27501435
36-1	Ventilation hood	UGP-DL27501310
36-2	Bottom wearing plate	UGP-DL27501312
37	Cooling unit	UGP-DL22503082
38	Heater	UGP-DL27501293
39	Glass wool	UGP-DL00006030
40	Insulation cover	UGP-DL22501136
40-1	Cover cap	UGP-DL22501422
41	Baffle	UGP-DL27501007
42	Baffle holder	UGP-DL22502227
43	Check point assy	UGP-DL27501365
43-1	Screw	UGP-DL10001474
43-2	Test valve body	UGP-DL10001498
43-3	Connector	UGP-DL10001501
43-4	Washer	UGP-DL00009306
43-5	Screw	UGP-DL22501206
44	Injector	UGP-DL10001713

No.	Item	Code
45	Burner assembly	UGP-DL6810V3CONKIT
45-1	Burner bracket	UGP-DL22502507
45-2	Burner tube support	UGP-DL10001476
46	Burner tube	UGP-DL10001142
47	Burner cover assy	UGP-DL22502506
47-1	Burner cover	UGP-DL22502508
48	Cover window	UGP-DL10001186
49	Seal ring	UGP-DL10001136
50	Nut	UGP-DL10001630
51	Pipe	UGP-DL27501360
52	Pipe	UGP-DL27501382
53	Gas connector	UGP-DL10001586
54	Nut	UGP-DL00003075
55	Connector bracket	UGP-DL10001096
56	Electrode	UGP-DL27501257
57	Gas inlet cap	UGP-DL00010139
58	Flame indicator	UGP-DL10001527
59	Bracket	UGP-DL27501355
60	Balcony spacer	UGP-DL08502163
61	Connector	UGP-DL10001114
62	Thermostat	UGP-DL18301115
63	Nut	UGP-DL18301029
64	Connector	UGP-DL10001405
65	Safety valve	UGP-DL18301005
66	Connector	UGP-DL10001818
67	Thermocouple	UGP-DL10001523
68	Thermostat bracket	UGP-DL27501354
69	Power cord holder	UGP-DL28801267
70	Rotary switch	UGP-DL10001213
71	Bracket	UGP-DL27501247
73	Knob	UGP-DL27501362
74	Connection wire	UGP-DL27501292
75	Connection wire	UGP-DL10001350
76	Front bottom	UGP-DL27501328
77	Rear bottom	UGP-DL27501329
78	Connector	UGP-DL10001406
79	Spring	UGP-DL10001145
80	Button	UGP-DL18301034
81	Power cord	UGP-DL10001252
82	Grounding wire	UGP-DL10001056
83	Lamp box	UGP-DL04001634
84	Lamp board	UGP-DL27501160
85	Lamp cover	UGP-DL04001633
86	Lamp box bottom	UGP-DL04001632
87	Battery	UGP-DL00013848
88	Battery holder	UGP-DL27501190
89	Battery cover	UGP-DL27501342
90	Lamp switch	UGP-DL00013660
91	Battery ignitor	UGP-DL18301371
92	Connection wire	UGP-DL22501187
93	Push button switch	UGP-DL18301372
94	Battery	UGP-DL00013847
95	Freezer shelf	UGP-DL27501249
96	Screw cover	UGP-DL27501363
97	Heat Shield	UGP-DL22501209
98	Big brush	UGP-DL22001096
99	Small brush	UGP-DL27501318

# UGP-10C PARTS DIAGRAM & LIST

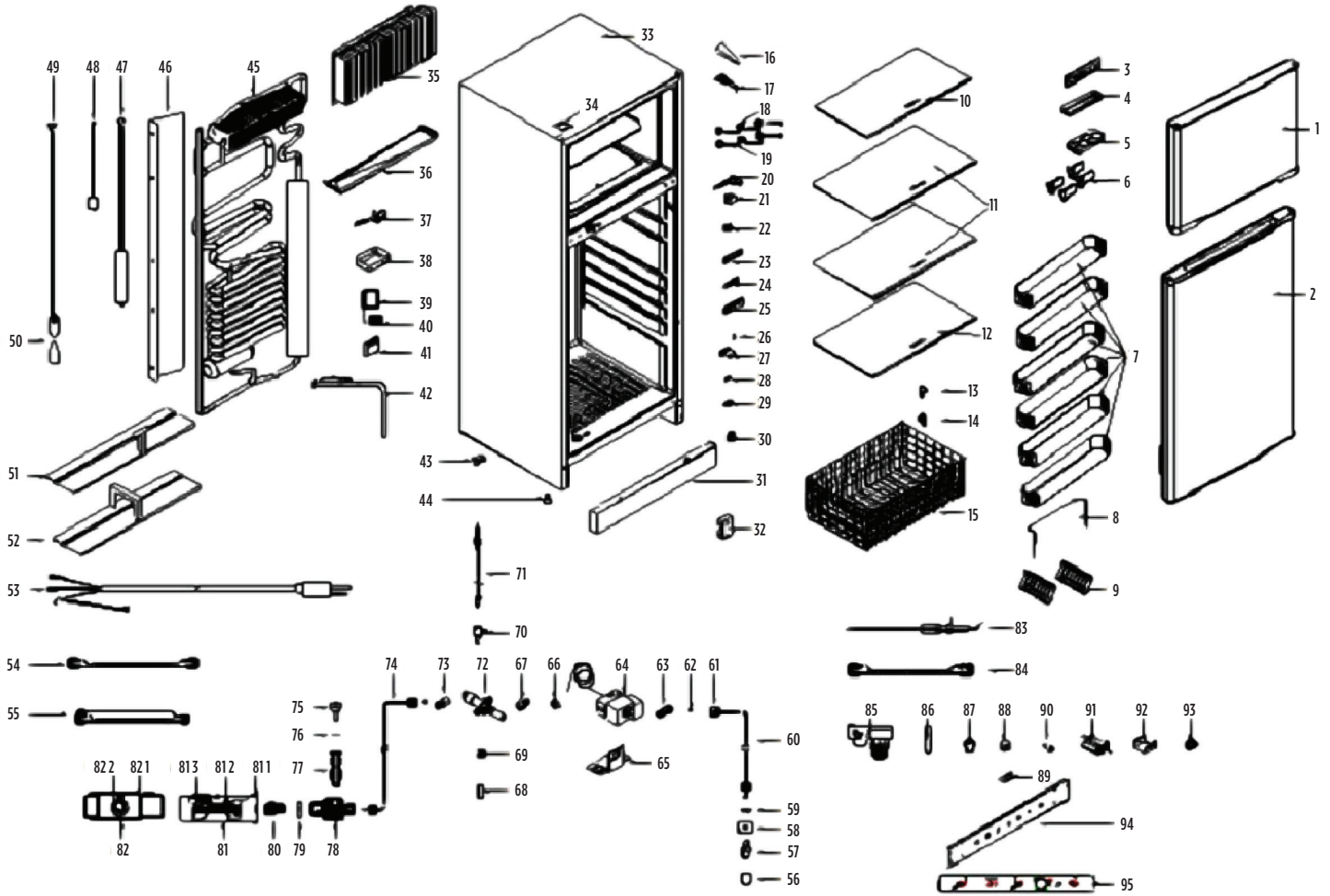


## UGP-10C PARTS DIAGRAM & LIST

No.	Item	Code
1	Cabinet	N/A
2	Heat sink	UGP-DL27501852
3	Drip tray	UGP-DL22501423
4	Drainage hose	UGP-DL00010078
5	Drip pan	UGP-DL10001155
6	Hinge cover	UGP-DL22501399
7	Screw	UGP-DL00003005
8	Screw cap	UGP-DL10001193
9	Top hinge	UGP-DL22001079
10	Top hinge cover	UGP-DL22501398
11	Freezer door - White	UGP-DL90000008
11	Freezer door - Black	UGP-DL90000009
11	Freezer door - Stainless	UGP-DL90000010
12	Fridge door - White	UGP-DL90000005
12	Fridge door - Black	UGP-DL90000006
12	Fridge Door - Stainless	UGP-DL90000007
13	Washer	UGP-DL03001603
14	Screw	UGP-DL27501364
15	Middle hinge	UGP-DL27501359
16	Washer	UGP-DL03001602
17	Bottle rack	UGP-DL22502213
18	Freezer balcony	UGP-DL18502271
19	Fridge balcony	UGP-DL22502240
20	Egg tray	UGP-DL10001104
21	Ice tray	UGP-DL03001003
22	Bottle holder	UGP-DL18301133
23	Crisper	UGP-DL27501436
23-1	Top wearing plate	UGP-DL27501311
24	Bottom hinge	UGP-DL27501239
25	Bottom hinge pin	UGP-DL02201204
26	Spring washer	UGP-DL00003018
27	Screw	UGP-DL00003005
28	Control panel	UGP-DL27501860
29	Control label	UGP-DL27501862
30	Lamp	UGP-DL00013598
31	Foot	UGP-DL00010053
32	Screw	UGP-DL27501495
33	Castor	UGP-DL00003068
34	Top shelf	UGP-DL27501433
35	Middle shelf	UGP-DL27501434
36	Bottom shelf	UGP-DL27501435
36-1	Ventilation hood	UGP-DL27501310
36-2	Bottom wearing plate	UGP-DL27501312
37	Cooling unit	UGP-DL22503082
38	Heater	UGP-DL27501293
39	Glass wool	UGP-DL00006030
40	Insulation cover	UGP-DL22501136
40-1	Cover cap	UGP-DL22501422
41	Baffle	UGP-DL27501007
42	Baffle holder	UGP-DL22502227
43	Checkpoint assembly	UGP-DL27501365
43-1	Screw	UGP-DL10001474
43-2	Test valve body	UGP-DL10001498
43-3	Connector	UGP-DL10001501
43-4	Washer	UGP-DL00009306
43-5	Screw	UGP-DL22501206
44	Injector	UGP-DL10001713

No.	Item	Code
45	Burner assembly	UGP-DL6810V3CONKIT
45-1	Burner bracket	UGP-DL22502507
45-2	Burner tube support	UGP-DL10001476
46	Burner tube	UGP-DL10001142
47	Burner cover assembly	UGP-DL22502506
47-1	Burner cover	UGP-DL22502508
48	Cover window	UGP-DL10001186
49	Seal ring	UGP-DL10001136
50	Nut	UGP-DL10001630
51	Outlet Gas Pipe	UGP-DL27501360
52	Inlet Gas Pipe	UGP-DL27501382
53	Gas connector	UGP-DL10001586
54	Nut	UGP-DL00003075
55	Connector bracket	UGP-DL10001096
56	Electrode	UGP-DL27501257
57	Gas inlet cap	UGP-DL00010139
58	Flame indicator	UGP-DL10001527
59	Bracket	UGP-DL27501355
60	Balcony spacer	UGP-DL08502163
61	Connector	UGP-DL10001114
62	Thermostat	UGP-DL18301115
63	Nut	UGP-DL18301029
64	Connector	UGP-DL10001405
65	Safety valve	UGP-DL18301005
66	Connector	UGP-DL10001818
67	Thermocouple	UGP-DL10001523
68	Thermostat bracket	UGP-DL27501354
69	Power cord holder	UGP-DL28801267
70	Rotary switch	UGP-DL10001213
71	Bracket	UGP-DL27501247
73	Knob	UGP-DL27501362
74	Thermostat Wire	UGP-DL27501292
75	Thermocouple Wire	UGP-DL10001350
76	Front bottom	UGP-DL27501328
77	Rear bottom	UGP-DL27501329
78	Connector	UGP-DL10001406
79	Spring	UGP-DL10001145
80	Button	UGP-DL18301034
81	Power cord	UGP-DL10001252
82	Grounding wire	UGP-DL10001056
83	Lamp box	UGP-DL04001634
84	Lamp board	UGP-DL27501160
85	Lamp cover	UGP-DL04001633
86	Lamp box bottom	UGP-DL04001632
87	Battery	UGP-DL00013848
88	Battery holder	UGP-DL27501190
89	Battery cover	UGP-DL27501342
90	Lamp switch	UGP-DL00013660
91	Battery igniter	UGP-DL18301371
92	Pulse Ignition Wire	UGP-DL22501187
93	Push button switch	UGP-DL18301372
94	Battery	UGP-DL00013847
95	Freezer shelf	UGP-DL27501249
96	Screw cover	UGP-DL27501363
97	Heat Shield	UGP-DL22501209
98	Big brush	UGP-DL22001096
99	Small brush	UGP-DL27501318

# UGP-14C PARTS DIAGRAM & LIST



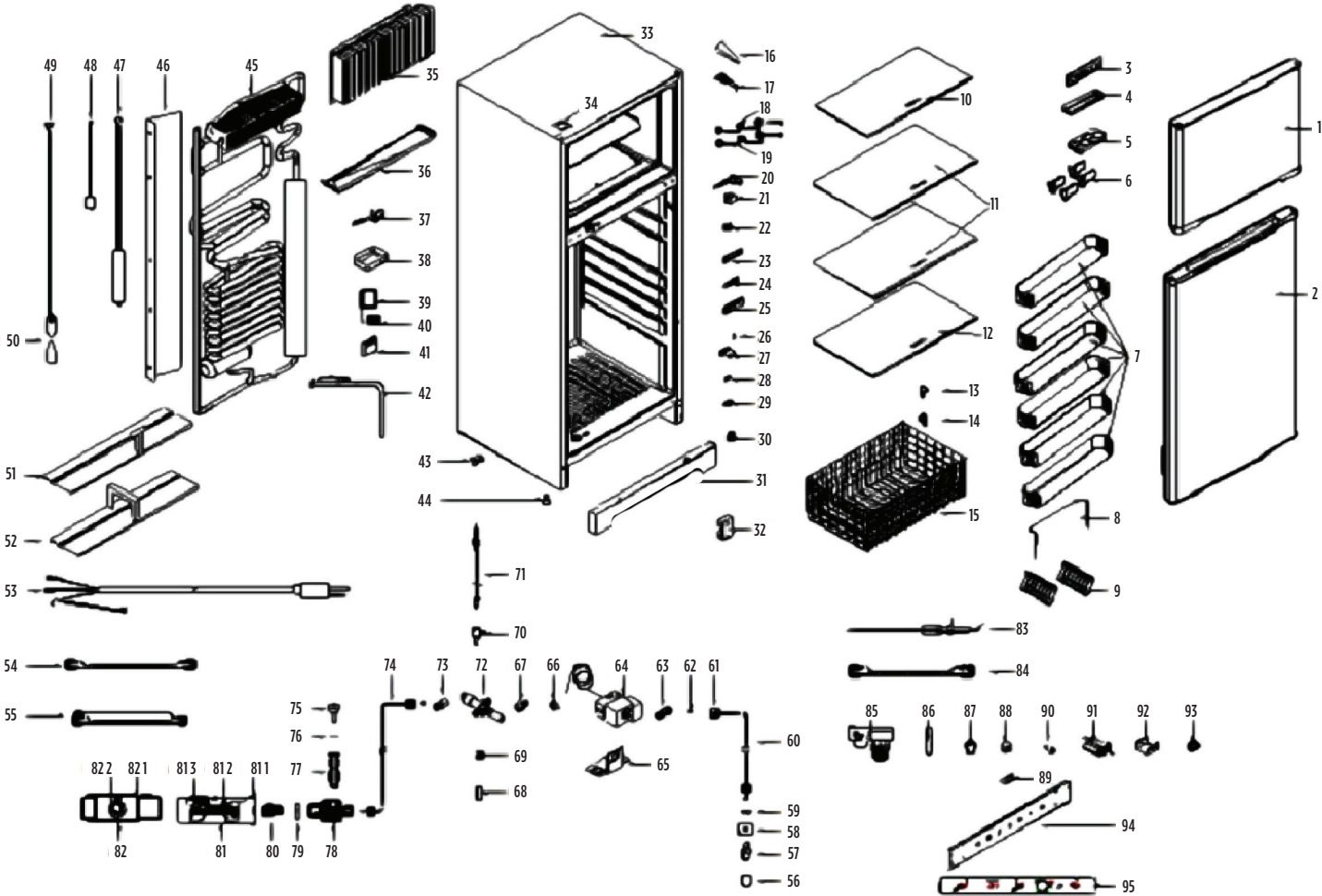


## UGP-14C PARTS DIAGRAM & LIST

No.	Item	Code
1	Freezer door White - White	UGP-DL38801127
2	Fridge door White - White	UGP-DL38801128
1	Freezer door White - Black	UGP-DL38801129
2	Fridge door White - Black	UGP-DL38801130
3	Cover for Ice Tray	UGP-DL03001004
4	Ice tray	UGP-DL03001003
5	Egg tray	UGP-DL10001104
6	Balcony Divider	UGP-DL37001054
7	Balcony	UGP-DL38801070
8	Bottle Guard	UGP-DL38801067
9	Bottle holder	UGP-DL18301133
10	Top shelf	UGP-DL38801063
11	Middle shelf	UGP-DL38801064
12	Bottom shelf	UGP-DL38801065
13	Shelf Stopper (Left)	UGP-DL38801013
14	Shelf Stopper (Right)	UGP-DL38801014
15	Basket	UGP-DL38801039
16	Top hinge cover White	UGP-DL22001074
17	Top hinge	UGP-DL22001079
18	Screw Cover	UGP-DL27501363
19	Screw	UGP-DL27501364
20	Middle hinge	UGP-DL27501359
21	Lamp switch	UGP-DL00013660
22	Screw cap	UGP-DL10001193
	LED Light Complete	UGP-DL38801134
23	Lamp cover	UGP-DL15601038
24	Lamp board	UGP-DL27801017
25	Lamp box	UGP-DL15601037
26	Bottom hinge pin	UGP-DL38801104
27	Bottom hinge	UGP-DL27501239
N/A	White bottom cover complete	UGP-DL38801135
N/A	Black bottom cover complete	UGP-DL38801136
28	Magnet	UGP-DL27501637
29	Cover for magnet box	UGP-DL27501633
30	Magnet box	UGP-DL27501632
32	Lower shield bracket	UGP-DL38801045
33	Cabinet	N/A
34	Top Hinge Opening cover	UGP-DL22001080
35	Heat sink	UGP-DL38801111
36	Drip tray	UGP-DL38801012
37	Water sieve	UGP-DL27801005
38	Drip pan	UGP-DL10001155
39	Battery holder	UGP-DL27501190
40	Battery	UGP-DL00013848
41	Battery cover	UGP-DL27501342
42	Heating Element	UGP-DL38801108
43	Caster Wheel	UGP-DL14502072
44	Front Levelling Foot	UGP-DL27501495
45	Cooling unit	UGP-DL38803001
46	Heat Shield White	UGP-DL38801126
47	Long Chimney Brush	UGP-DL22001096
48	Small Burner Brush	UGP-DL27501318
49	Baffle holder	UGP-DL38801110
50	Baffle	UGP-DL27501007
51	Front Platform	UGP-DL38801032

No.	Item	Code
52	Rear Platform	UGP-DL38801033
53	Power cord	UGP-DL10001252
54	Thermocouple wire	UGP-DL22501254
55	Connection wire	UGP-DL27501292
56	Gas inlet cap	UGP-DL00010139
57	Gas connector	UGP-DL10001506
58	Gas Connector Bracket	UGP-DL38801054
59	Nut	UGP-DL00003136
N/A	Inlet gas connection pipe complete	UGP-DL38801137
60	Inlet Gas Pipe	UGP-DL38801040
61	Gas Pipe Fitting	UGP-DL10001630
62	Seal ring	UGP-DL10001207
63	Inlet connector for thermostat	UGP-DL10001114
64	Thermostat	UGP-DL18301115
65	Thermostat bracket	UGP-DL18301012
66	G 1/8 Nut	UGP-DL18301029
67	Connector	UGP-DL10001405
68	Gas Valve Button	UGP-DL18301034
69	Spring	UGP-DL10001145
70	Thermocouple Connector	UGP-DL22001180
71	Thermocouple	UGP-DL10001523
72	On/Off Safety valve	UGP-DL18301005
73	Outlet connector for safety valve	UGP-DL10001406
74	Burner Connecting Pipe	UGP-DL38801040
	Complete check point	UGP-DL10001477
75	Screw	UGP-DL22501206
76	Washer	UGP-DL00009306
77	Connector	UGP-DL10001501
78	Test valve body	UGP-DL10001498
79	Screw	UGP-DL10001474
80	Orifice 0.40mm	UGP-DL38801107
81	Burner assembly	UGP-DL6810V3CONKIT
81-1	Burner bracket	UGP-DL22502507
81-2	Burner tube support	UGP-DL10001476
81-3	Burner tube	UGP-DL10001142
82	Burner cover assembly	UGP-DL22502506
82-1	Burner cover	UGP-DL22502508
82-2	Cover window	UGP-DL10001186
83	Electrode	UGP-DL27501257
84	Connection wire	UGP-DL22501187
85	Electronic ignition module	
86	Battery	N/A
87	Push button switch	UGP-DL18301372
88	Flame indicator	UGP-DL10001527
89	Flame indicator holder	UGP-DL27501355
90	Indicator Lamp	UGP-DL00013598
91	Rotary switch	UGP-DL10001213
92	Bracket	UGP-DL10001271
93	Thermostat & On/Off Knob	UGP-DL27501362
94	Control Panel White	UGP-DL38801035
95	Control label White	UGP-DL38801038
95	Control Panel Black	UGP-DL38801105
95	Control label Black	UGP-DL38801106

# UGP-14C CR PARTS DIAGRAM & LIST

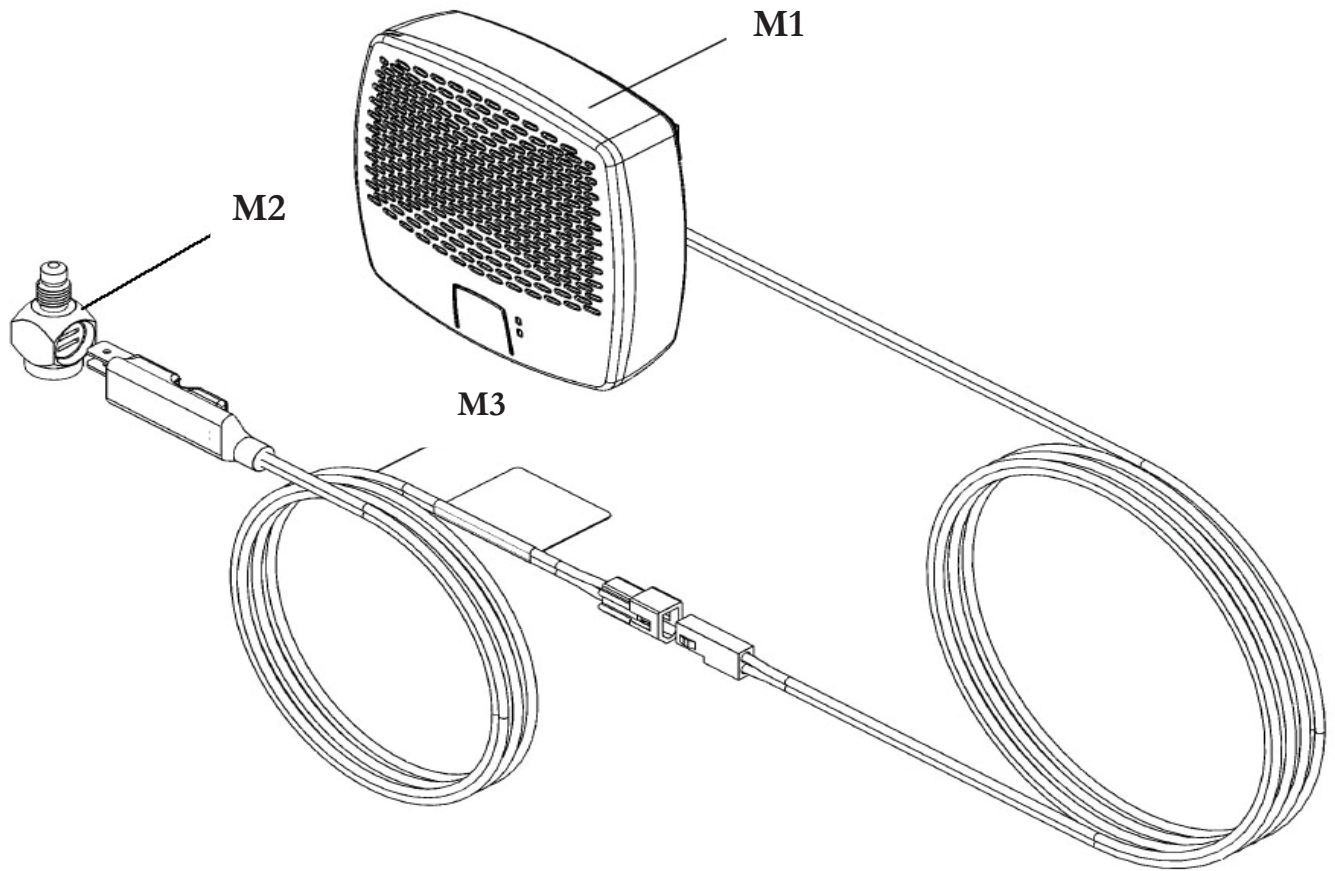


## UGP-14C CR PARTS DIAGRAM & LIST

No.	Item	Code
1	Freezer door for UGP-14C CR	UGP-DL38801253
2	Fridge door for UGP-14C CR	UGP-DL38801254
3	Cover for ice tray	UGP-DL03001004
4	Ice tray	UGP-DL03001003
5	Egg tray	UGP-DL10001104
6	Balcony divider	UGP-DL37001054
7	Fridge and freezer door Balcony with chrome trim for UGP-14C CR	UGP-DL38801238
8	Bottle guard	UGP-DL38801067
9	Bottle holder	UGP-DL18301133
10	Upper shelf with chrome trim for UGP-14C CR	UGP-DL38801239
11	Middle shelf with chrome trim for UGP-14C CR	UGP-DL38801240
12	Bottom shelf with chrome trim for UGP-14C CR	UGP-DL38801241
13	Shelf stopper (left)	UGP-DL38801013
14	Shelf stopper (right)	UGP-DL38801014
15	Basket	UGP-DL38801039
16	Top hinge cover white	UGP-DL22001074
17	Top hinge	UGP-DL22001079
18	Screw cover	UGP-DL27501363
19	Screw	UGP-DL27501364
20	Middle hinge	UGP-DL27501359
21	Lamp switch	UGP-DL00013660
22	Screw cap	UGP-DL10001193
	LED light complete	UGP-DL38801134
23	Lamp cover	UGP-DL15601038
24	Lamp board	UGP-DL27801017
25	Lamp box	UGP-DL15601037
26	Bottom hinge pin	UGP-DL38801104
27	Bottom hinge	UGP-DL27501239
28	Magnet	UGP-DL27501637
29	Cover for magnet box	UGP-DL27501633
30	Magnet box	UGP-DL27501632
31	Kickplate for UGP-14C CR	UGP-DL38801252
32	Lower shield bracket	UGP-DL38801045
33	Cabinet	N/A
34	Top hinge opening cover	UGP-DL22001080
35	Heat sink	UGP-DL38801111
36	Drip tray	UGP-DL38801012
37	Water sieve	UGP-DL27801005
38	Drip pan	UGP-DL10001155
39	Battery holder	UGP-DL27501190
40	Battery	UGP-DL00013848
41	Battery cover	UGP-DL27501342
42	Heating element	UGP-DL38801108
43	Caster wheel	UGP-DL14502072
44	Front levelling foot	UGP-DL27501495
45	Cooling unit	UGP-DL38803001
46	Heat shield white	UGP-DL38801126
47	Long chimney brush	UGP-DL22001096
48	Small burner brush	UGP-DL27501318

No.	Item	Code
49	Baffle holder	UGP-DL38801110
50	Baffle	UGP-DL27501007
51	Front platform	UGP-DL38801032
52	Rear platform	UGP-DL38801033
53	Power cord	UGP-DL10001252
54	Thermocouple wire	UGP-DL22501254
55	Connection wire	UGP-DL27501292
56	Gas inlet cap	UGP-DL00010139
57	Gas connector	UGP-DL10001506
58	Gas connector bracket	UGP-DL38801054
59	Nut	UGP-DL00003136
N/A	Inlet gas connection pipe complete	UGP-DL38801137
60	Inlet gas pipe	UGP-DL38801040
61	Gas pipe fitting	UGP-DL10001630
62	Seal ring	UGP-DL10001207
63	Inlet connector for thermostat	UGP-DL10001114
64	Thermostat	UGP-DL18301115
65	Thermostat bracket	UGP-DL18301012
66	G 1/8 nut	UGP-DL18301029
67	Connector	UGP-DL10001405
68	Gas valve button	UGP-DL18301034
69	Spring	UGP-DL10001145
70	Thermocouple connector	UGP-DL22001180
71	Thermocouple	UGP-DL10001523
72	On/off safety valve	UGP-DL18301005
73	Outlet connector for safety valve	UGP-DL10001406
74	Burner connecting pipe	UGP-DL38801040
	Complete check point	UGP-DL10001477
75	Screw	UGP-DL22501206
76	Washer	UGP-DL00009306
77	Connector	UGP-DL10001501
78	Test valve body	UGP-DL10001498
79	Screw	UGP-DL10001474
80	Orifice 0.40mm	UGP-DL38801107
81	Burner assembly	UGP-DL38801212
81-1	Burner bracket	UGP-DL22502507
81-2	Burner tube support	UGP-DL10001476
81-3	Burner tube	UGP-DL10001142
82	Burner cover assembly	UGP-DL22502506
82-1	Burner cover	UGP-DL22502508
82-2	Cover window	UGP-DL10001186
83	Electrode	UGP-DL27501257
84	Connection wire	UGP-DL22501187
85	Electronic ignition module	UGP-DL18301371
86	Battery	N/A
87	Push button switch	UGP-DL18301372
88	Flame indicator	UGP-DL10001527
89	Flame indicator holder	UGP-DL27501355
90	Indicator lamp	UGP-DL00013598
91	Rotary switch	UGP-DL10001213
92	Bracket	UGP-DL10001271
93	Thermostat & on/off knob	UGP-DL27501362
94	Control panel white	UGP-DL38801035
95	Control label white	UGP-DL38801038

# CO MONITOR - UGP-9RV-SSO-C PARTS DIAGRAM & LIST



M1	UGP-9RV-SSO-C	CO Detector 9RV SSO-C
M2	QMP-Interrupter Block	Interrupter Block for CO-Monitored fridges
M3	QMP-Mosfet-C	Mosfet Assembly - for CO-Monitored Models



# UNIQUE PROPANE REFRIGERATOR

## UGP-6C/UGP-8C - 3 YEAR LIMITED WARRANTY

## UGP-10C/UGP-14C/UGP-14C CR - 5 YEAR LIMITED WARRANTY

Unique Appliances Ltd. (hereafter “Unique”) warrants that this UNIQUE propane fridge is free from manufacturer’s defects in material and workmanship under normal usage and service under the following terms. The following is only for propane fridges purchased from January 1, 2021 and forward.

MODEL NO.	WARRANTY TYPE & LENGTH	
	Parts	Cooling system coil
UGP-6C & UGP-8C	1 year	3 year
UGP-10C, UGP-14C & UGP-14C CR	1 year	5 year

### Parts Warranty

This appliance has been designed for domestic household use. If properly installed, adjusted and operated under normal conditions in accordance with printed instructions, it will satisfactorily perform the functions that are generally expected of this type of appliance. If the appliance fails to do so because of a defect in material or workmanship within 1 year from the original date of purchase (3 or 5 years for the cooling system coil as shown on the chart above): Unique will at our option, repair, exchange, or correct by other means Unique consider appropriate, any part(s) Unique finds to be defective except for the surface finish.

### Ownership

This Warranty is made only to the first purchaser (“original purchaser”) who acquires this propane fridge for his/her own use and will be honoured by Unique Appliances and by the Seller. Purchaser must retain their receipt as proof of purchase date.

### Warranty Conditions

This warranty does not apply to any appliance that has been subjected to alterations, misuse, abuse (including damage by foreign agents or chemicals), accident, improper installation or service, delivery damage, or other than normal household use and service. This UNIQUE appliance must be serviced regularly as outlined in the Owner’s Manual. In case of damage, the owner must provide proof of purchase, Model, and Serial Number to the selling dealer or Unique Appliances. This warranty is LIMITED STRICTLY to the terms indicated herein, and no other expressed warranties or remedies thereunder shall be binding on Unique.

### Purchaser’s Responsibilities

The purchaser will be responsible for the costs of any service calls requested to demonstrate or confirm the proper operation of the appliance, the installation, or to correct malfunctions in the appearance created by the operation of the appliance in a manner not prescribed by or cautioned against in the use and care instructions.

### Model and Serial Number

The appliance model number and serial number can be found on the appliances rating plate. The purchaser should always refer to the model and serial number when talking to or contacting the dealer from whom the appliance was purchased.

### EXCLUSIONS

Save as herein provided, by Unique, there are no other warranties, conditions, representations or guarantees, express or implied, made or intended by Unique or its authorized distributors and all other warranties, conditions, representations or guarantees, including any warranties, conditions, representations or guarantees under any Sale of Goods Act or like legislation or statute is hereby expressly excluded. Save as herein provided, Unique shall not be responsible for any damages to persons or property, including the unit itself, howsoever caused or any consequential damages arising from the malfunction of the unit and by the purchase of the unit, the purchaser does hereby agree to indemnify and hold harmless Unique from any claim for damages to persons or property caused by the unit.

Removal or disfigurement of the rating plate will void the warranty. The purchaser will be responsible for any expenses involved in making the propane fridge readily accessible for servicing. The purchaser will be responsible for any extra charges where the installation is in a remote location such as un-assumed roads, islands, areas known as cottage country, it is the customers responsibility to bring items to dealer for review. Freight damage is not covered by this warranty.

### GENERAL PROVISIONS

No warranty or insurance herein contained or set out shall apply when damage or repair is caused by any of the following:

1. Power failure.
2. Damage in transit or when moving the appliance.
3. Improper power supply such as low voltage, defective house wiring or inadequate fuses.
4. Accident, alteration, abuse or misuse of the appliance such as inadequate air circulation in the room or abnormal operating conditions (ie. extremely high or low room temperature).
5. Use for commercial or industrial purposes (ie. If the appliance is not installed in a domestic residence).
6. Fire, water damage, theft, war, riot, hostility, acts of God such as hurricanes, floods etc.
7. Service calls resulting in customer education.
8. Improper Installation (ie. Building-in of a free standing appliance or using an appliance outdoors that is not approved for outdoor application, including but not limited to: garages, patios, porches or anywhere that is not properly insulated or climate controlled).  
Proof of purchase date will be required for warranty claims; retain bills of sale. In the event that warranty service is required, present the proof of purchase to our authorized service depot.
9. The need for normal maintenance or this refrigerator including the cleaning of the burner venturi, orifices, flue tubes and assurance of proper propane gas pressure.
10. This Unique refrigerator must be serviced regularly as outlined in the Owners Manual.

Nothing within this warranty shall imply that Unique will be responsible or liable for any direct or indirect loss of foods caused by failure in operation.

### Factory Assistance

If the purchaser is unable to locate an authorized dealer/service agent, or if the purchaser does not receive satisfaction from the dealer, they may contact Unique Appliances Customer Service directly at Toll Free 1-877-427-2266 or 905-827-6154.

# CO MONITOR - UGP-9RV-SSO-C - LIMITED WARRANTY

**UNIQUE Appliances (“Unique”)** offers you this limited warranty on your new carbon monoxide alarming device with safety shut-off, including all of its components (the Product”).

This limited warranty extends solely to the original end-user purchaser of this Product (the “Buyer”), provided your purchase was made from an authorized vendor. Transfer or resale of this Product will automatically terminate warranty coverage.

Unique warrants the enclosed Product to be free from defects in materials and workmanship under authorized use and service, as specified in the owner’s manual, for a period of one (1) year from the date of purchase. During the one (1) year period commencing with the date of purchase, nonconforming Product returned to UNIQUE at Buyer’s expense and risk, will be repaired or replacement shall be made without charge, provided that: (a) the Product has not been subjected to abuse, contamination, neglect, accident, incorrect wiring not our own, improper installation or servicing, or used in violation of instructions furnished by Unique; and (b) as to any prior defects in materials or workmanship covered by this warranty, the Product has not been repaired or altered by anyone except Unique; and (c) the model number and manufacture date label has not been removed, defaced or otherwise changed; and (d) examination discloses, in the judgment of Unique, does not assume the costs of removal and/or installation of the Product or any other incidental costs of removal and/or installation of the Product or any other incidental costs which may arise as a result of any defect in material or workmanship; and (e) upon discovery of defect, Buyer shall immediately cease use of and notify Unique.

UNIQUE MAKES NO OTHER WARRANTIES, EXPRESS OR IMPLIED, EXCEPT AS REQUIRED BY LAW, AND IN NO CASE FOR A DURATION LONGER THAN THAT OF THIS WRITTEN WARRANTY, EXCEPT AS REQUIRED BY LAW, INCLUDING, BUT NOT LIMITED TO, ANY WARRANTY OF MERCHANTABILITY OR FITNESS FOR A PARTICULAR PURPOSE OR AGAINST INFRINGEMENT, OR ANY EXPRESS OR IMPLIED WARRANTY ARISING OUT OF TRADE USAGE OR OUT OF A COURSE OF DEALING OR COURSE OF PERFORMANCE.

UNIQUE has not authorized any other party to extend any other warranties in connection with the sale of the Product, and will not accept responsibility for any statements, representations, or warranties made by any other person. Without limiting the generality of this section, the maximum total liability of Unique, for any claim whatsoever, under any circumstances (except where accompanied by the willful actions, gross negligence or fraud of Unique), regardless of the cause of action and including without limitation claims for breach of contract, tort, negligence or otherwise, and the Buyer’s sole remedy therefore, shall be strictly limited to said replacement or repair of the Product.

UNIQUE SPECIFICALLY DISCLAIMS LIABILITY FOR ANY AND ALL DIRECT, INDIRECT, SPECIAL, GENERAL, INCIDENTAL, OR CONSEQUENTIAL DAMAGES, INCLUDING, BUT NOT LIMITED TO, LOSS OF PROFITS OR ANTICIPATED PROFITS ARISING OUT OF USE OF OR INABILITY TO USE THE PRODUCT.

# APPLIANCE INFORMATION

(manual copy - keep with your records)

To make care and servicing of your fridge easy and efficient, please record the following information for future reference:

Model: \_\_\_\_\_

Purchased From: \_\_\_\_\_

Serial Number: \_\_\_\_\_

Date Purchased: \_\_\_\_\_

Installed By: \_\_\_\_\_

## PRODUCT REGISTRATION

Please visit our website at [www.uniqueappliances.com/product-registration/](http://www.uniqueappliances.com/product-registration/) to register your product.

## CONTACT US

For questions related to the operation, safety or the purchase of your fridge, please contact your dealer for more information. For general information, contact our customer service department:



### Email

[info@uniqueappliances.com](mailto:info@uniqueappliances.com)



### Toll-free

1-877-427-2266 or 905-827-6154  
available during regular business hours,  
8:30 am to 4:30 pm, EST.



### Website

[www.uniqueappliances.com](http://www.uniqueappliances.com)

## NOTES

---

---

---

---

---

---



©2021 Unique Appliances Ltd.

2245 Wyecroft Road #5, Oakville, Ontario, Canada, L6L 5L7

[www.uniqueappliances.com](http://www.uniqueappliances.com)