
UNIQUE®

2245 Wycroft Road #5, Oakville, Ontario Canada L6L 5L7
Ph: 905-827-6157 Toll Free: 1-877-427-2266 Fax: 905-827-2027

www.UniqueOffGrid.com

UNIQUE UGP-2 Parts Guide 2014

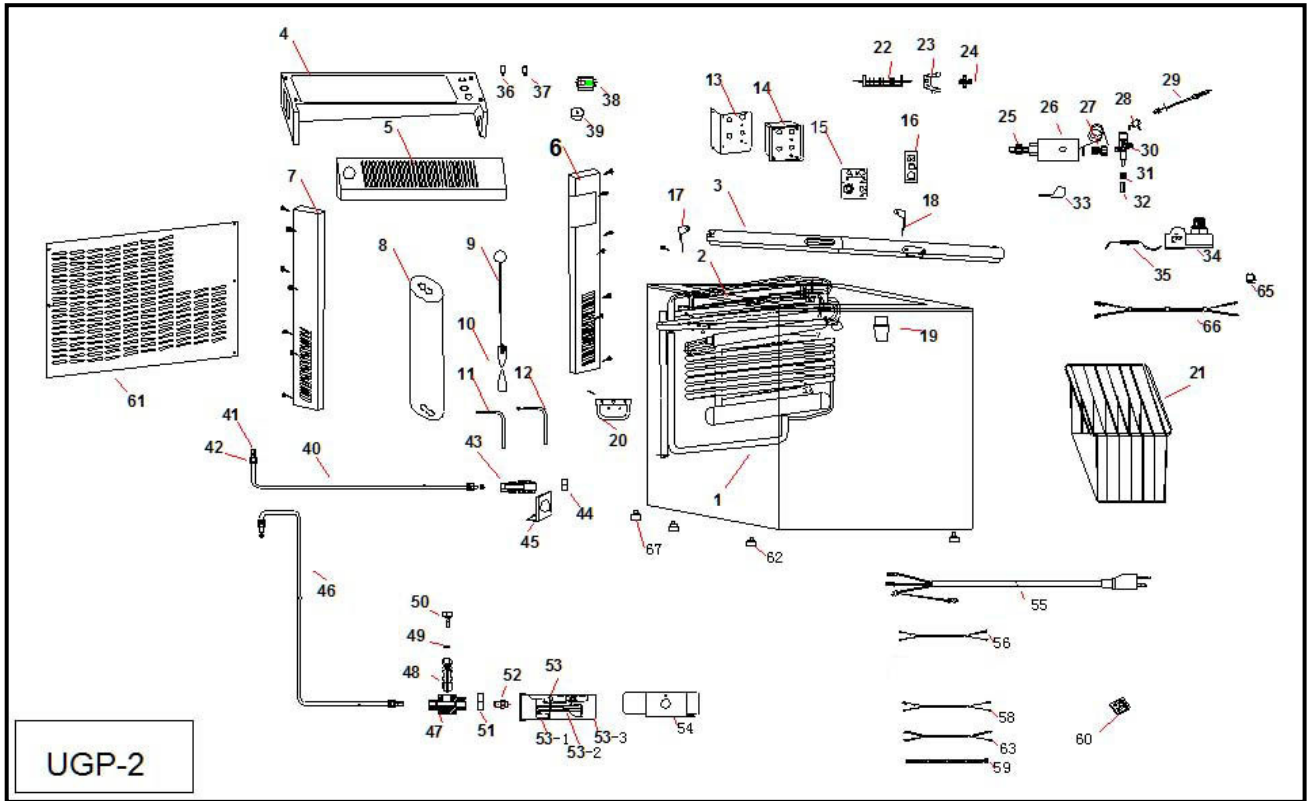


"Personal Service & Knowledge
makes us Unique"

Chapter 7

Parts Diagram and List

UNIQUE UGP 2 - EXPLODED DIAGRAM



UNIQUE UGP 2 – Parts List

UNIQUE – UGP 2		
No.	Item	Code
1	UGP 2 Cabinet	N/A
2	Cooling unit	N/A
3	Lid	UGP-DL90000015
4	Heat-sink holder	UGP-DL07001057
5	Heat-sink cover	UGP-DL07001123
6	Left heat-Sink	UGP-DL07001143
7	Right heat-Sink	UGP-DL07001156
8	Insulation cover	UGP-DL10001273
9	Baffle holder	UGP-DL10001173
10	Baffle	UGP-DL10001139
11	Heater – 110V	UGP-DL10001454
12	Heater – 12V	UGP-DL00013536
13	Control panel	UGP-DL07001056
14	Control panel holder	UGP-DL07001142
15	Control panel label	UGP-DL07001058
16	Control panel label	UGP-DL07001059
17	Left top hinge	UGP-DL07001044
18	Right top hinge	UGP-DL07001045
19	lock	UGP-DL07001033
20	Handle	UGP-DL07001034
21	Shelf	UGP-DL07001064
22	Rotary switch	UGP-DL10001213
23	Rotary switch holder	UGP-DL10001271
24	Thermostat knob	UGP-DL18301033
25	Thermostat gas inlet connector	UGP-DL10001406
26	Thermostat	UGP-DL10001430
27	Safety valve gas inlet connector	UGP-DL10001115
28	Thermocouple connector	UGP-DL22001180
29	Thermocouple	UGP-DL18301009
30	Safety valve	UGP-DL18301005
31	Spring	UGP-DL18301112
32	Push button	UGP-DL18301034
33	Clip	UGP-DL00009059
34	Battery igniter	UGP-DL18301371
35	Electrode	UGP-DL27501257
36	Indicator lamp	UGP-DL00013598

No.	Item	Code
37	Indicator lamp	UGP-DL10001299
38	Flame indicator	UGP-DL18301013
39	Level	UGP-DL00009368
40	Gas pipe	UGP-DL07001038
41	Sealing ring	UGP-DL10001136
42	Nut	UGP-DL10001407
43	Inlet nipple	UGP-DL10001506
44	Nut for gas inlet nipple	UGP-DL00003077
45	Inlet nipple holder	UGP-DL07001080
46	Burner gas pipe	UGP-DL07001037
47	Check point body	UGP-DL10001498
48	Check point connector	UGP-DL10001501
49	Washer	UGP-DL00009306
50	Check point plug	UGP-DL22501206
51	Nut for jet	UGP-DL10001474
52	Jet	UGP-DL10001471
53	Burner assembly	UGP-DL10001496
53-1	Burner holder	UGP-DL10001476
53-2	Burner box	UGP-DL22502507
53-3	Burner	UGP-DL10001142
54	Draught shield	UGP-DL22502508
55	Power cord	UGP-DL10001252
56	Connection wire	UGP-DL27501292
58	Connection wire	UGP-DL10001329
59	Connection wire	UGP-DL07001127
60	12V terminal block	UGP-DL00013792
61	Back gridiron board	UGP-DL07001060
62	Foot	UGP-DL00010053
63	Connection wire	UGP-DL10001350
64	Reducing valve	UGP-DL00010096
65	Push button switch	UGP-DL07001155
66	Connection wire	UGP-DL07001145
67	Foot	UGP-DL00010053
68	Battery	UGP-DL00013681