



Carbon Monoxide Alarm with Safety Shut-Off

Model UGP-9RV-SSO-C

Owner's Manual
&
Installation Instructions

Tested to meet CSA 6.19.01

ATTENTION!

Read and comply with all instructions, warnings and limitations before installing, servicing or removing this device.

Additional copies of this manual are available at no charge by contacting the manufacturer, distributor or dealer. Unique reserves the right to change features without notice.

General Information	3
Specifications	7
Operation of Unique Carbon Monoxide Alarm with Safety Shut-Off	7
Locating a Unique Carbon Monoxide Alarm with Safety Shut-Off	10
Installation	11
Installing the Mounting Base	11
Connecting Alarm to Mounting Base	11
Installing the Alarm to the Appliance with Velcro Strips	12
Installing the UGP-9RVSSO-C to a New Certified Appliance	14
Installing the UGP-9RVSSO-C to an Existing Certified Appliance	14
Activating Unique Carbon Monoxide Alarm with Safety Shut-Off	15
Testing	15
Maintenance	15
In the Event of an Alarm	16
Deactivating Unique Carbon Monoxide Alarm with Safety Shut-Off in End of Life	16
Repairing Unique Carbon Monoxide Alarm with Safety Shut-Off	17
Returning Unique Carbon Monoxide Alarm with Safety Shut-Off	17
Parts List	17
Limited Warranty - Unique Model UGP-9RV-SSO-C	18

General Information

DANGER:

ACTUATION OF THIS DEVICE INDICATES THE PRESENCE OF CARBON MONOXIDE (CO) WHICH CAN BE FATAL. THE SOURCE OF THE CO MAY BE AN APPLIANCE SUCH AS A FURNACE, A WOOD BURNING STOVE, A VEHICLE, A GENERATOR, OR OTHER COMBUSTION SOURCE. EVACUATE THE PREMISES IMMEDIATELY. CHECK THAT ALL PERSONS ARE ACCOUNTED FOR. CALL THE NEAREST FIRE DEPARTMENT AND ASK THEM TO DETERMINE THE SOURCE OF CARBON MONOXIDE. DO NOT REENTER PREMISES UNTIL IT HAS BEEN AIRED OUT AND THE PROBLEM IS CORRECTED!

WARNING:

TO REDUCE THE RISK OF CARBON MONOXIDE POISONING, TEST ALARM OPERATION WHEN NOT IN USE FOR 10 DAYS OR MORE.

THIS CARBON MONOXIDE ALARM WITH SAFETY SHUT-OFF IS DESIGNED TO DETECT CARBON MONOXIDE (CO) GAS FROM ANY SOURCE OF COMBUSTION. IT IS NOT DESIGNED TO DETECT SMOKE, FIRE OR ANY OTHER GAS, UNLESS THE PRODUCT HAS BEEN INVESTIGATED AND DETERMINED TO COMPLY WITH THE APPLICABLE REQUIREMENTS.

THIS DEVICE IS DESIGNED TO PROTECT INDIVIDUALS FROM THE ACUTE EFFECTS OF CARBON MONOXIDE EXPOSURE. IT WILL NOT FULLY SAFEGUARD INDIVIDUALS WITH SPECIFIC MEDICAL CONDITIONS. IF IN DOUBT CONSULT A MEDICAL PRACTITIONER.

ANY PERSON WITH MEDICAL PROBLEMS MAY CONSIDER USING WARNING DEVICES THAT PROVIDE AUDIBLE AND VISUAL SIGNALS FOR CARBON MONOXIDE CONCENTRATIONS LESS THAN 30 PPM.

CAUTION:

INSTALLATION SHALL BE DONE BY QUALIFIED PERSONNEL AUTHORIZED TO DO SO BY THE AUTHORITIES HAVING JURISDICTION FOR THE PARTICULAR APPLICATION IN WHICH THE PRODUCT IS BEING USED. ELECTRICAL WIRING SHALL BE IN ACCORDANCE WITH NATIONAL ELECTRICAL CODES. IMPROPER WIRING MAY RENDER THE UNIT INOPERABLE, DAMAGE COMPONENTS, OR CAUSE A FIRE, AND WILL VOID ALL WARRANTIES.

TO FUNCTION AS INTENDED, THE CO ALARM MUST BE CONNECTED TO A CORRECT POWER SOURCE, AND FOR MAXIMUM EFFECTIVENESS, BE POWERED AT ALL TIMES.

THIS DEVICE SHALL NOT BE INSTALLED OR USED IN AIRCRAFT AND/OR RACING VEHICLES. UNIQUE RESERVES THE RIGHT TO CHANGE FEATURES WITHOUT NOTICE.

THIS ALARM WILL ONLY INDICATE THE PRESENCE OF CARBON MONOXIDE GAS AT THE SENSOR. CARBON MONOXIDE GAS MAY BE PRESENT IN OTHER AREAS.

CAUTION:

THERE ARE NO USER OR FIELD SERVICEABLE PARTS IN THIS PRODUCT. THE CO ALARM MUST BE RETURNED TO THE MANUFACTURER FOR ANY REPAIR OR PERFORMANCE CHECKS.

THIS PRODUCT IS NOT INTENDED FOR USE IN ORDINARY OUTDOOR LOCATIONS OF FAMILY LIVING UNITS. IT IS NOT DESIGNED TO COMPLY WITH OCCUPATIONAL SAFETY AND HEALTH ADMINISTRATION (OSHA) COMMERCIAL OR INDUSTRIAL STANDARDS.

Carbon Monoxide (CO) – “The Silent Killer”

A by-product of combustion, carbon monoxide is invisible, tasteless, odorless, and is produced by all engines, heating and cooking appliances. The most common sources of CO on recreational vehicles are gasoline engines, auxiliary generators and propane heating or cooking devices. All of these produce large amounts of CO and should never be operated while occupants are sleeping. A slight build-up of carbon monoxide in the human body over several hours causes headaches, nausea and other symptoms similar to food poisoning, motion sickness or the flu. High concentrations can be fatal within minutes. The following symptoms are related to CARBON MONOXIDE POISONING and should be discussed with ALL passengers:

- Mild exposure: Slight headache, nausea, vomiting and fatigue (often described as “Flu like symptoms”).
- Medium exposure: Severe throbbing headache, drowsiness, confusion, and fast heart rate.
- Extreme exposure: Unconsciousness, convulsions, cardio-respiratory failure, and death.
- Many cases of reported CARBON MONOXIDE POISONING indicate that while victims are aware they are not well, they become so disoriented they are unable to save themselves by either exiting the location or calling for assistance. Also, young children and pets may be the first affected. SEE TABLE 1.

Information on conditions which can result in transient CO situations, such as:

- Excessive spillage or reverse venting of fuel burning appliances caused by outdoor ambient conditions, such as:
 - Wind direction and/or velocity, including high gusts of wind. Heavy air in the vent pipes (cold/humid air with extended periods between cycles).
 - Negative pressure differential resulting from the use of exhaust fans.
 - Simultaneous operation of several fuel burning appliances competing for limited internal air.
 - Vent pipe connections vibrating loose from clothes dryers, furnaces or water heaters.
 - Obstructions in or unconventional vent pipe designs which can amplify the above situations.
 - Poorly designed or maintained chimney and/or vents.
- Extended operation of un-vented fuel burning devices (range, oven, etc.).
- Temperature inversions that can trap exhaust gases near the ground.
- Vehicles idling in an open or closed attached garage or nearby.

Table 1

200 PPM:	Slight headache within 2 to 3 hours.
400 PPM:	Frontal headache within 1 to 2 hours.
800 PPM:	Dizziness, nausea and convulsions within 45 minutes. Insensible within 2 hours.
1600 PPM:	Headache, dizziness and nausea within 20 minutes. Death within 30 minutes.
3200 PPM:	Headache, dizziness and nausea in 5 to 10 minutes. Death within 30 minutes.
6400 PPM:	Headache and dizziness in 1 to 2 minutes. Death in less than 15 minutes.
12800 PPM:	Death in less than 3 minutes.

Drug or alcohol use increases the effect of CO exposure. Individuals with cardiac or respiratory conditions are very susceptible to the dangers of carbon monoxide. CO poisoning is especially dangerous during sleep when victims are unaware of any side effects. The following are symptoms that may signal exposure to CO:

- Headache
- Tightness of chest or hyperventilation
- Flushed face
- Nausea
- Drowsiness
- Fatigue or Weakness
- Inattention or Confusion
- Lack of normal coordination

Persons who have been exposed to carbon monoxide should be moved into fresh air immediately. Persons who have been subjected to high concentrations of CO should be placed in the care of a physician. To learn more about CO poisoning, contact your local health authorities.

Where Must We Guard Against Carbon Monoxide?

Carbon monoxide is a by-product of combustion. CO exists wherever fuels are burned to generate power or heat. Recreational vehicles may utilize propane or compressed gas for cooking and/or heating. Recreational vehicles have the added hazard of an auxiliary power generator where exhaust fumes may drift into the vehicle. This hazard may also be created by a neighboring vehicle's exhaust fumes circulating into the cabin. The "station wagon effect", is another hazard that is caused by exhaust fumes that are captured via a rear opening while underway.

Recreational Vehicle Hazards

Recreational vehicles that are underway should close all rear windows and open a front window, which may lend to pressurize the living spaces within the recreational vehicle. No sleeping, particularly in rear compartments, should be permitted while underway. Occupants of the "cockpit" should also maintain proper ventilation by opening a front window to drive "station wagon" effect fumes away from the occupants. Extreme caution must be taken while parked with an auxiliary power generator operating. Wind still nights can easily allow fumes to enter the vehicle. Inspect the exhaust systems of propulsion and auxiliary generators frequently for possible leaks. High concentrations of CO in your recreational vehicle may originate from an adjacent vehicle. Exhaust fumes from nearby vehicles may enter your recreational vehicle through open windows.

Features of the UGP-9RV-SSO-C

The CO Alarm is designed to meet applicable RV standards. The CO Alarm is tested to meet UL 2034 RV requirements.

The CO Alarm conducts a self-diagnosis of critical components every 180 seconds. Should a major component fail, the CO Alarm will enter a fault mode. Both audible and visual warning indicators are activated.

The CO Alarm circuit board is sealed against moisture and corrosion to withstand the harshest environments and ensure durability.

Limitations

- This Carbon Monoxide Alarm with Safety Shut-Off is designed to detect carbon monoxide gas from ANY source of combustion. It is NOT designed to detect smoke, fire or any other gas.
- The CO Alarm will not detect carbon monoxide that is not in the vicinity of the alarm. Carbon monoxide in other rooms or areas will not be detected. Alarms mounted near obstructions or in 'dead' air spaces will not detect carbon monoxide.
- The CO Alarm does not guarantee or imply that CO poisoning will not occur. Do NOT use the CO Alarm as a replacement for ordinary precautions or periodic inspections of equipment. NEVER rely on alarm systems to save your life, common sense is still prudent and necessary.
- The audible horn on the CO Alarm meets UL STD 2034 RV requirements; however, the horn may not be heard in remote areas.
- The nature of an alarm system is to produce an irritating and loud noise. The audible signal of the CO Alarm may shock or startle persons near the alarm. Hearing damage can occur if prolonged exposure to the audible alarm is allowed.
- All electric devices have limited life spans and may fail without warning. Inspect the CO Alarm on a periodic basis. Do NOT assume that the CO Alarm will prevent CO poisoning. It is a supplement-warning device only.

Specifications

System Specifications (UGP-9RV-SSO-C)

Operating/Storage Temperature: -40°F (-40°C) to 158°F (70°C)

Alarm Points: Time Weighted Average (TWA)

Alarm @ 10% COHb (<15min @ 400 PPM)

Alarm Horn: ≈ 85dB @3.05M

Dimensions: 3.5" (89mm) x 3.5" (89mm) x 1.25" (32mm)

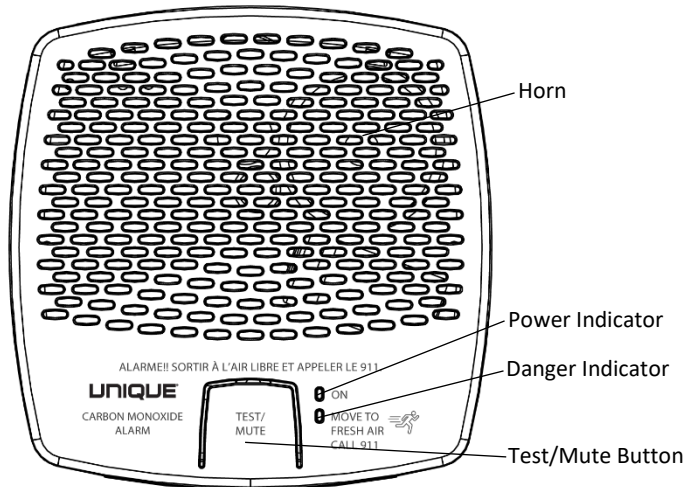
Housing Material: Poly lac PA-765(ABS-FR)

NOTE:

THE REPLACEMENT DATE THAT APPEARS ON THE DEVICE IS THE DATE BEYOND WHICH THE DEVICE MAY NO LONGER DETECT CARBON MONOXIDE ACCURATELY AND SHOULD BE REPLACED.

CONSTANT EXPOSURE TO HIGH OR LOW TEMPERATURE OR HIGH HUMIDITY CAN REDUCE BATTERY LIFE.

Operation of Unique Carbon Monoxide Alarm with Safety Shut-Off



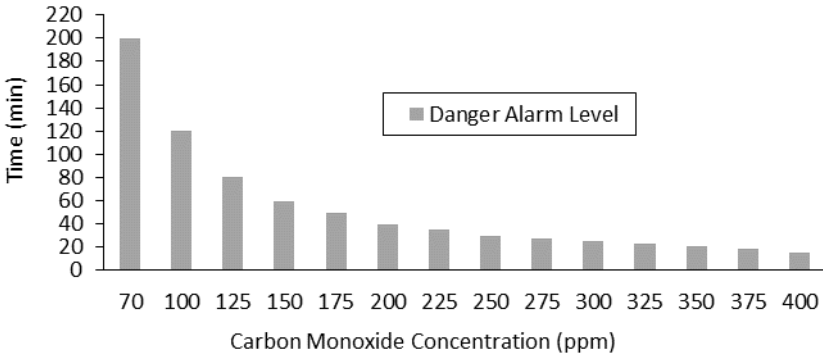
The CO Alarm uses a microprocessor to measure and accumulate CO levels. Using the principle of "time-weighted averaging" (TWA), the CO Alarm monitors CO concentrations, temperature, and time to calculate levels of carboxyhemoglobin (COHb). COHb is the degree to which the oxygen carrying capacity of the blood is impeded by the union of carbon monoxide to the hemoglobin and is expressed as a percentage. In layman's terms, our bodies prefer absorbing CO to oxygen and COHb is the ratio of absorbed carbon monoxide to oxygen in the bloodstream. The CO Alarm calculates this COHb level as a function of time and determines the appropriate alarm time. SEE TABLE 2.

Operation of Unique Carbon Monoxide Alarm with Safety Shut-Off Continued

Should a very high level of carbon monoxide exist, the CO Alarm will alarm in a few minutes. However, if small quantities of CO are present or high levels are short-lived, the micro controller will accumulate the information and determine when an alarm level has been reached. This feature eliminates nuisance alarms. For example, in a recreational vehicle it is possible to see high levels of CO for a very short time such as when parking or maneuvering. The CO Alarm takes this all under consideration by totaling the quantity of CO detected over a period of time.

The CO Alarm is programmed to alarm at a COHb level of 10%. SEE TABLE 2.

Table 2



Status Indicators and Explanations

SYSTEM STATUS	Green LED INDICATOR	Red LED INDICATOR	AUDIBLE HORN
Normal:	1 Flash/180 sec.	Off	Off
Alarm:	Off	1 Flash/5 sec.	4 Beeps, 5 sec. Silence
Remote Alarm:	1 Flash/5 sec.	1 Flash/5 sec.	4 Beeps, 5 sec. Silence
End of Life	Off	1 Flash/5 sec.	1 Beep/60 sec.

CAUTION:

THE AUDIBLE ALARM CANNOT BE CHECKED BY THE INTERNAL CIRCUITRY AND THEREFORE THE CO ALARM SHOULD BE TESTED FREQUENTLY USING THE TEST BUTTON AND VERIFYING PROPER ALARM SEQUENCES AND OPERATION.

Normal

The Green LED will flash once every 180 seconds (3 minutes) while in normal operation.

Alarm

When the CO Alarm enters the danger alarm, the Danger (!) indicator is flashing red and the horn beeps 4 times and pauses for 4-5 seconds in a repeat pattern. This indicates that the COHb level has been reached.

WARNING:

ACTUATION OF YOUR CO ALARM INDICATES THE PRESENCE OF CARBON MONOXIDE (CO), WHICH CAN KILL YOU. IF ALARM SOUNDS:

IF UNIT ALARMS FOLLOW THE GUIDELINES BELOW:

1. OPERATE TEST/MUTE BUTTON
2. CALL YOUR EMERGENCY SERVICES (FIRE DEPARTMENT OR 911).
3. IMMEDIATELY MOVE TO FRESH AIR – OUTDOORS OR BY AN OPEN DOOR/WINDOW. CHECK THAT ALL PERSONS ARE PRESENT. DO NOT RE-ENTER THE PREMISES OR MOVE AWAY FROM THE OPEN DOOR/WINDOW UNTIL EMERGENCY SERVICES RESPONDERS HAVE ARRIVED, THE PREMISES HAVE BEEN AIRED OUT AND ALARM REMAINS IN ITS NORMAL CONDITION.
4. AFTER FOLLOWING STEPS 1-3, IF ALARM REACTIVATES WITHIN A 24-HOUR PERIOD, REPEAT STEPS 1-3 AND CALL A QUALIFIED APPLIANCE TECHNICIAN TO INVESTIGATE FOR SOURCES OF CO FROM FUEL BURNING EQUIPMENT AND APPLIANCES, AND INSPECT FOR PROPER OPERATION OF THE EQUIPMENT. IF PROBLEMS ARE IDENTIFIED DURING THIS INSPECTION, HAVE THE EQUIPMENT SERVICED IMMEDIATELY. NOTE ANY COMBUSTION EQUIPMENT NOT INSPECTED BY THE TECHNICIAN AND CONSULT THE MANUFACTURERS' INSTRUCTIONS, OR CONTACT THE MANUFACTURERS DIRECTLY, FOR MORE INFORMATION ABOUT CO SAFETY AND THIS EQUIPMENT.

NOTE:

THE CO ALARM WILL ALARM AT APPROXIMATELY 10% COHB. SEE TABLE 2. THE ALARM WILL CLEAR WHEN THE PPM OF CO PRESENT ARE BELOW 40.

End-of-Life (EOL)

Self-diagnostics to determine end of useful sensor life, 7-10 years. Contact manufacturer for repair/replacement options.

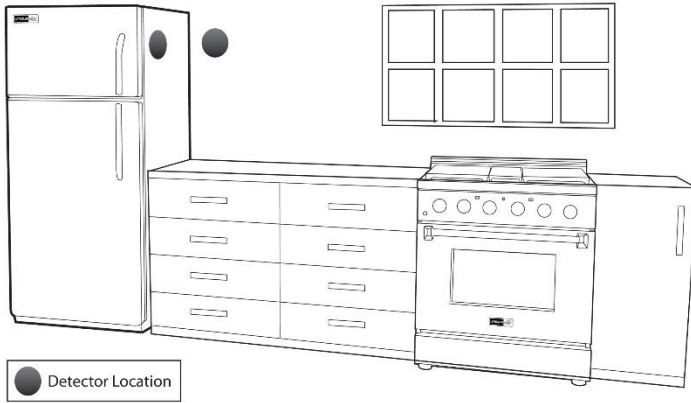
NOTE:

DURING EOL RESET THE UNIT WILL GO THROUGH A SELF-DIAGNOSTIC PROCESS FOLLOWED BY THE TEST SEQUENCE.

DURING EOL, THE UNIT WILL CONTINUE TO INDICATE EOL STATUS UNTIL THE UNIT IS DEACTIVATED. SEE PAGE 16, OR THE BACK OF THE UNIT FOR DEACTIVATION INSTRUCTIONS.

Locating a Unique Carbon Monoxide Alarm with Safety Shut-Off

Because of the high risk of carbon monoxide injuries due to the nature of small confined areas, we recommend a Carbon Monoxide Alarm with Safety Shut-Off be installed on either side of the refrigerator using the provided Velcro pads or to the wall using the provided mounting bracket (mounting hardware not included).



DO NOT install a CO Alarm near a door or window through which water could be sprayed or spilled on the device.

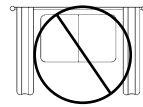
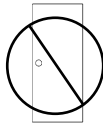
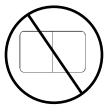
DO NOT install in locations where temperature, moisture, and/or ultraviolet light affect the operation.

DO NOT install in locations where the normal ambient temperature is below -40°C (-40°F) or exceeds 70°C (158°F)

DO NOT mount within one foot of corners or other 'dead' air spaces.

DO NOT locate CO Alarm within 5 feet (1.5 m) of any cooking appliance or in direct airflow from air conditioning or heat vents.

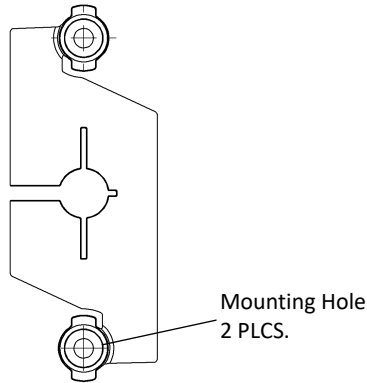
DO NOT locate CO Alarm in close vicinity of curtains, pillows, or other obstructions.



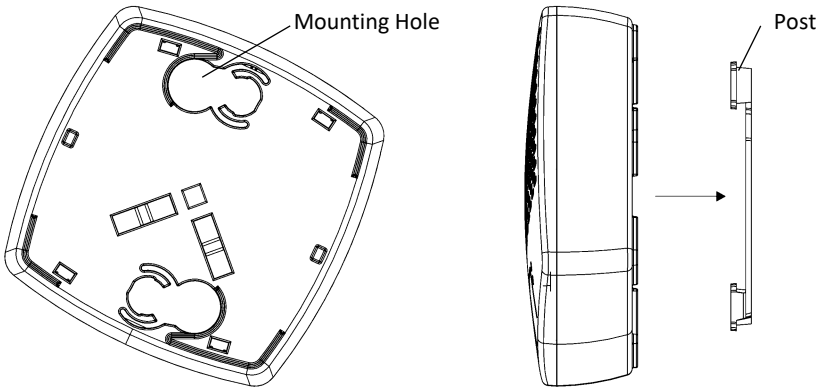
Installing the Mounting Base

- Mounting Base should be installed vertically when installing CO Alarm on a wall.
- Use appropriate length #6, Pan Head screws (not included) to secure Mounting Base.
- Do not over-tighten.

Connecting Alarm to Mounting Base

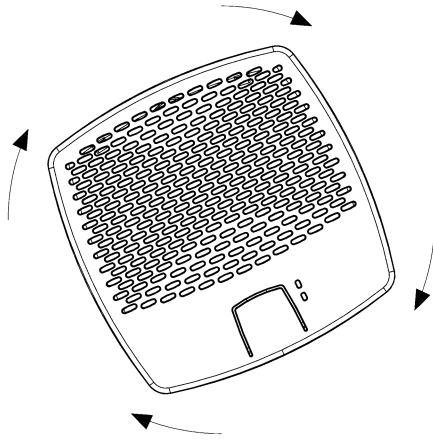


- Align Mounting holes of CO Alarm with the posts on the Mounting Base.



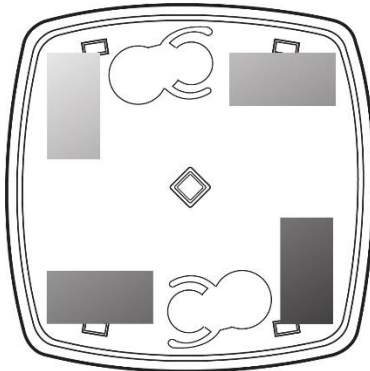
- Feed wires through the Mounting Base and mounting surface.

- Press CO Alarm against mounting surface and turn clockwise, approximately 25°.

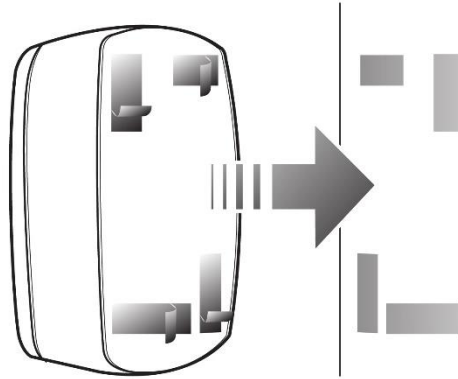


Installing the Alarm to the Appliance with Velcro Strips

- Mounting Base is not required, use the provided Velcro strips.
- Remove adhesive strips from the back of the Velcro pads and stick them to the back of the detector as shown on below (one in each corner of the Alarm).
- Now stick the four cushion pads to the Velcro strips, remove the adhesive strips from the cushion pads in preparation for mounting alarm to the side of your appliance.



Mount the detector to the side of the fridge as shown on page 10



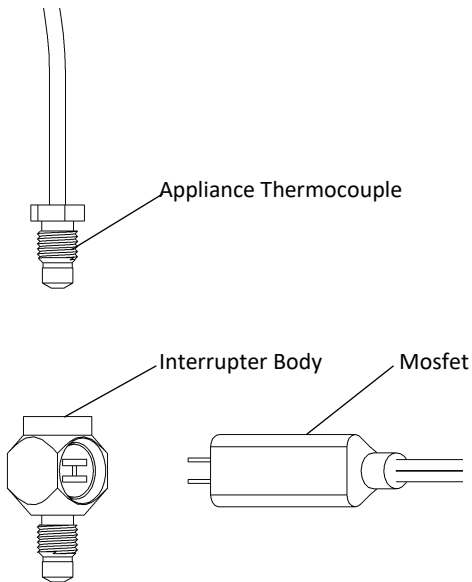
After installation is complete, attach one of the enclosed “Warning” stickers to the wall next to the alarm. Place the other sticker near a source of fresh air where you would gather after an alarm indicates the presence of carbon monoxide. The phone numbers of emergency services and qualified technicians should be added to the stickers.

Installing the UGP-9RVSSO-C to an New Certified Appliance

- Locate your CO detector packaged with your appliance, the location of the detector is dependent on the model purchased. Some are located in the crisper drawers and some are located at the bottom back of the fridge.
- At the end of the wire leading from the CO Detector you will find a female connector, while standing at the back of the fridge locate the male connector located 6" to 12" up from the floor at the bottom left of the appliance.
- Plug them together.
- Follow the activation instructions below

Installing the UGP-9RVSSO-C to an Existing Certified Appliance

- Remove the existing Interrupter Body and Mosfet from the appliance.
- Install the new Interrupter Body into the gas thermostat of the appliance. (Hand-tighten clockwise, then $\frac{1}{4}$ turn with a wrench.)
- Insert Mosfet into Interrupter Body.
- Install Appliance Thermocouple into Interrupter Body. (Hand-tighten clockwise, then $\frac{1}{4}$ to $\frac{1}{2}$ turn with a wrench.)
- Connect Mosfet to UGP-9RVSSO-C using the provided connector.



NOTE:

PROTECTIVE COVER PROVIDED WITH THE ALARM IS INTENDED TO KEEP ALARM PROTECTED FROM LIQUID SPRAYS THAT MAY BE USED DURING THE INITIAL INSTALLATION PROCESS. REMOVE PROTECTIVE COVER BEFORE ACTIVATING.

Activating Unique Carbon Monoxide Alarm with Safety Shut-Off

1. Hold "Test/Mute" button for 10 seconds. The Green LED will turn on.
2. Press the "Test/Mute" button 5 times. The Green and Red LEDs will flash and the horn will sound.

The CO Alarm is now activated. The Green LED will flash once every 180 seconds.

Testing

Test device operation at least once per week during use.

Press "Test/Mute" button until Green LED turns on and release. The alarm will simulate 2 alarm cycles (2 sets of 4 Beeps, 5 sec. Silence between). The Red LED will flash once every 5 seconds. The appliance will shut off, if connected.

Maintenance

Spaces are to be well ventilated when household cleaning supplies or similar contaminants are used. Avoid spraying liquids directly on alarm.

In the Event of an Alarm

1. Operate test/mute button
2. Call your emergency services (fire department or 911).
3. Immediately move to fresh air – outdoors or by an open door/window. Check that all persons are present. Do not re-enter the premises or move away from the open door/window until emergency services responders have arrived, the premises have been aired out and alarm remains in its normal condition.
4. After following steps 1-3, if your alarm reactivates within a 24-hour period, repeat steps 1-3 and call a qualified appliance technician to investigate for sources of CO from fuel burning equipment and appliances, and inspect for proper operation of the equipment. If problems are identified during this inspection, have the equipment serviced immediately. Note any combustion equipment not inspected by the technician and consult the manufactures' instructions, or contact the manufacturers directly, for more information about CO safety and their equipment.

Nuisance Alarms

Although the CO Alarm will detect only carbon monoxide in a normal environment, studies have found that unusually high concentrations of chemicals and/or vapors may affect the sensor. Many of these chemicals are the result of out-gassing in new recreational vehicles. While these chemicals may cause nuisance alarms, levels high enough to create an alarm condition are also hazardous. Treat these “nuisance” alarms as an actual Carbon Monoxide Alarm with Safety Shut-Off condition. Evacuate and ventilate the area. Before, during, and immediately after working with any chemicals, make sure enough fresh air ventilation is available.

Deactivating Unique Carbon Monoxide Alarm with Safety Shut-Off in End of Life

1. Hold “Test/Mute” button for 60 seconds. The Green and Red LEDs will turn on.
2. Press the “Test/Mute” button 5 times. The Green and Red LEDs will flash and the horn will sound.

The CO Alarm is now deactivated.

NOTE:

DEACTIVATION IS NOT POSSIBLE DURING NORMAL OPERATION OR DURING AN ALARM.

CAUTION:

DEACTIVATING CO ALARM IS PERMANENT. REACTIVATING IS NOT POSSIBLE.

Repairing Unique Carbon Monoxide Alarm with Safety Shut-Off

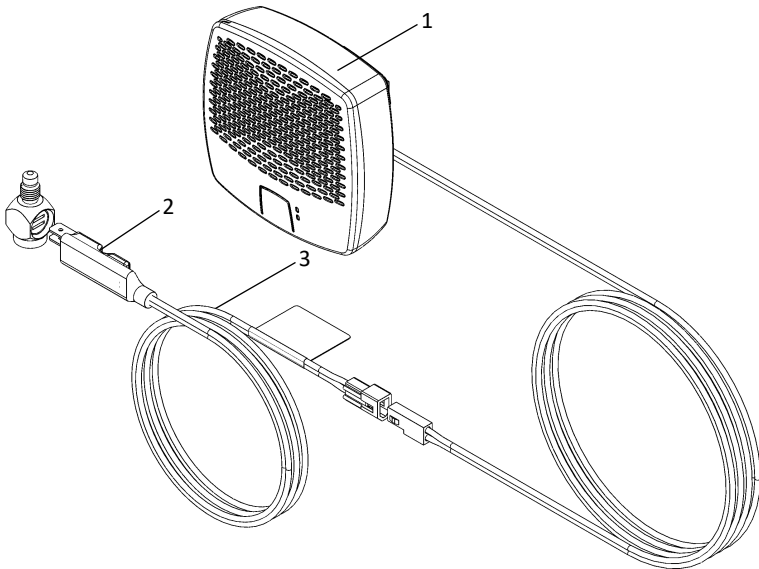
Unique Carbon Monoxide Alarms are not field serviceable. Components must be returned to the factory for any repairs.

Returning Unique Carbon Monoxide Alarm with Safety Shut-Off

No product may be returned for credit or repair without a written "Returned Material Authorization" (RMA) form. Purchaser must call or email Unique, 1-877-427-2266 or info@uniqueoffgrid.com, for a RMA. If due to extenuating circumstances a product is to be returned, after approval it must be received in 100% new/resalable condition. Products stored by the buyer for more than 26 weeks may not be returned for any reason. Maintaining fresh and current inventory is the responsibility of the buyer.

Parts List

Model UGP-9RVSSO-C		
1	UGP-9RVSSO-C	CO ALARMING DEVICE WITH SHUT-OFF
2	QMP-INTERRUPTER BLOCK	INTERRUPTER BLOCK
3	QMP-MOSFET-C	MOSFET ASSEMBLY WITH RED/BLACK LEAD WIRE



UNIQUE GAS PRODUCTS LTD. ("**Unique**") offers you this limited warranty on your new carbon monoxide alarming device with safety shut-off, including all of its components (the **Product**"). This limited warranty extends solely to the **original end-user purchaser** of this Product (the "**Buyer**"), provided your purchase was made from an authorized vendor. Transfer or resale of this Product will automatically terminate warranty coverage.

Unique warrants the enclosed Product to be free from defects in materials and workmanship under authorized use and service, as specified in the owner's manual, for a period of one (1) year from the date of purchase. During the one (1) year period commencing with the date of purchase, non-conforming Product returned to UNIQUE at Buyer's expense and risk, will be repaired or replacement shall be made without charge, provided that: (a) the Product has not been subjected to abuse, contamination, neglect, accident, incorrect wiring not our own, improper installation or servicing, or used in violation of instructions furnished by Unique; and (b) as to any prior defects in materials or workmanship covered by this warranty, the Product has not been repaired or altered by anyone except Unique; and (c) the model number and manufacture date label has not been removed, defaced or otherwise changed; and (d) examination discloses, in the judgment of Unique, does not assume the costs of removal and/or installation of the Product or any other incidental costs of removal and/or installation of the Product or any other incidental costs which may arise as a result of any defect in material or workmanship; and (e) upon discovery of defect, Buyer shall immediately cease use of and notify Unique.

UNIQUE MAKES NO OTHER WARRANTIES, EXPRESS OR IMPLIED, EXCEPT AS REQUIRED BY LAW, AND IN NO CASE FOR A DURATION LONGER THAN THAT OF THIS WRITTEN WARRANTY, EXCEPT AS REQUIRED BY LAW, INCLUDING, BUT NOT LIMITED TO, ANY WARRANTY OF MERCHANTABILITY OR FITNESS FOR A PARTICULAR PURPOSE OR AGAINST INFRINGEMENT, OR ANY EXPRESS OR IMPLIED WARRANTY ARISING OUT OF TRADE USAGE OR OUT OF A COURSE OF DEALING OR COURSE OF PERFORMANCE. UNIQUE has not authorized any other party to extend any other warranties in connection with the sale of the Product, and will not accept responsibility for any statements, representations, or warranties made by any other person. Without limiting the generality of this section, the maximum total liability of Unique, for any claim whatsoever, under any circumstances (except where accompanied by the willful actions, gross negligence or fraud of Unique), regardless of the cause of action and including without limitation claims for breach of contract, tort, negligence or otherwise, and the Buyer's sole remedy therefore, shall be strictly limited to said replacement or repair of the Product.

UNIQUE SPECIFICALLY DISCLAIMS LIABILITY FOR ANY AND ALL DIRECT, INDIRECT, SPECIAL, GENERAL, INCIDENTAL, OR CONSEQUENTIAL DAMAGES, INCLUDING, BUT NOT LIMITED TO, LOSS OF PROFITS OR ANTICIPATED PROFITS ARISING OUT OF USE OF OR INABILITY TO USE THE PRODUCT.