



2245 Wycroft Road #5, Oakville, Ontario Canada L6L 5L7
Ph: 905-827-6157 Toll Free: 1-877-427-2266 Fax: 905-827-2027

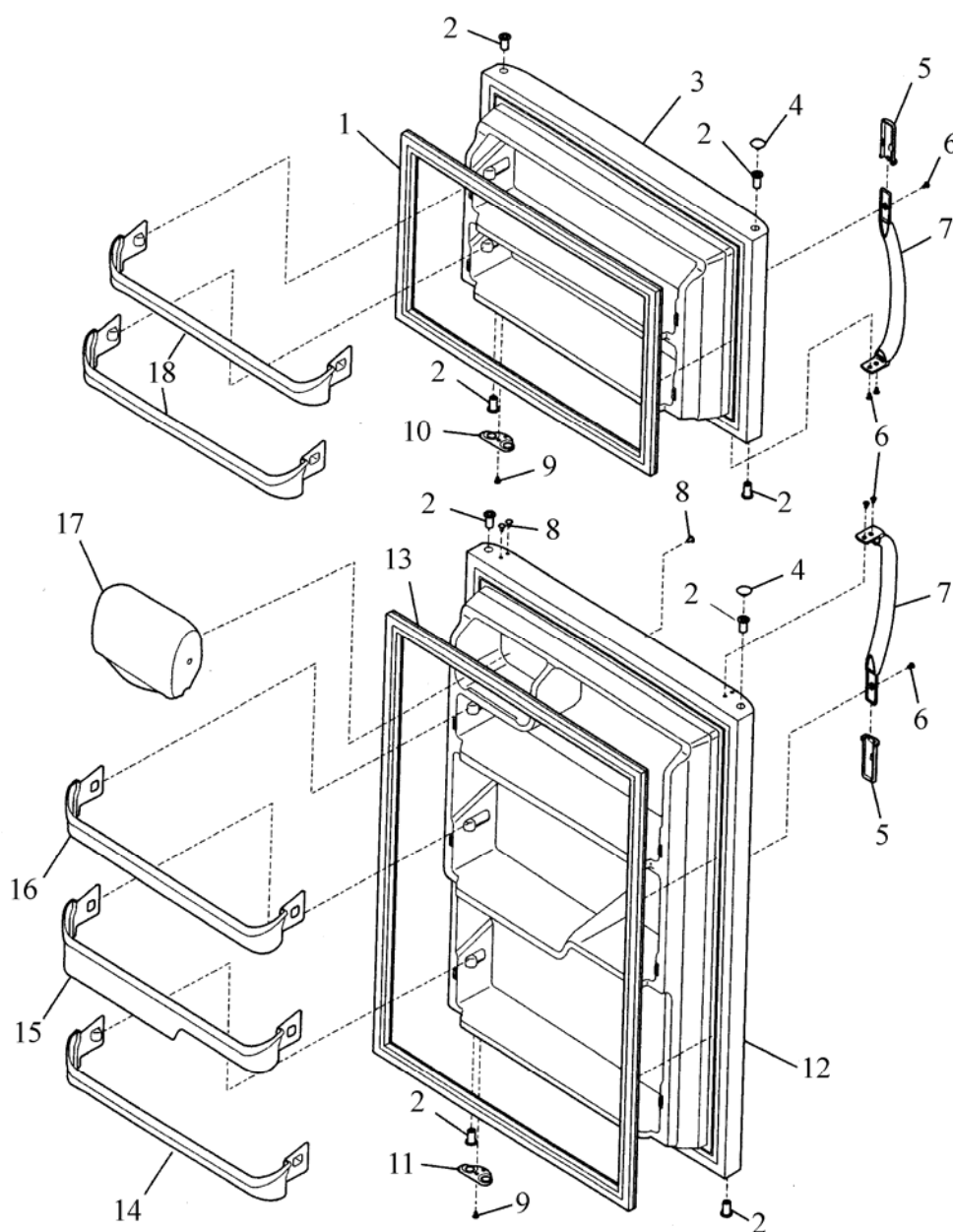
www.UniqueOffGrid.com

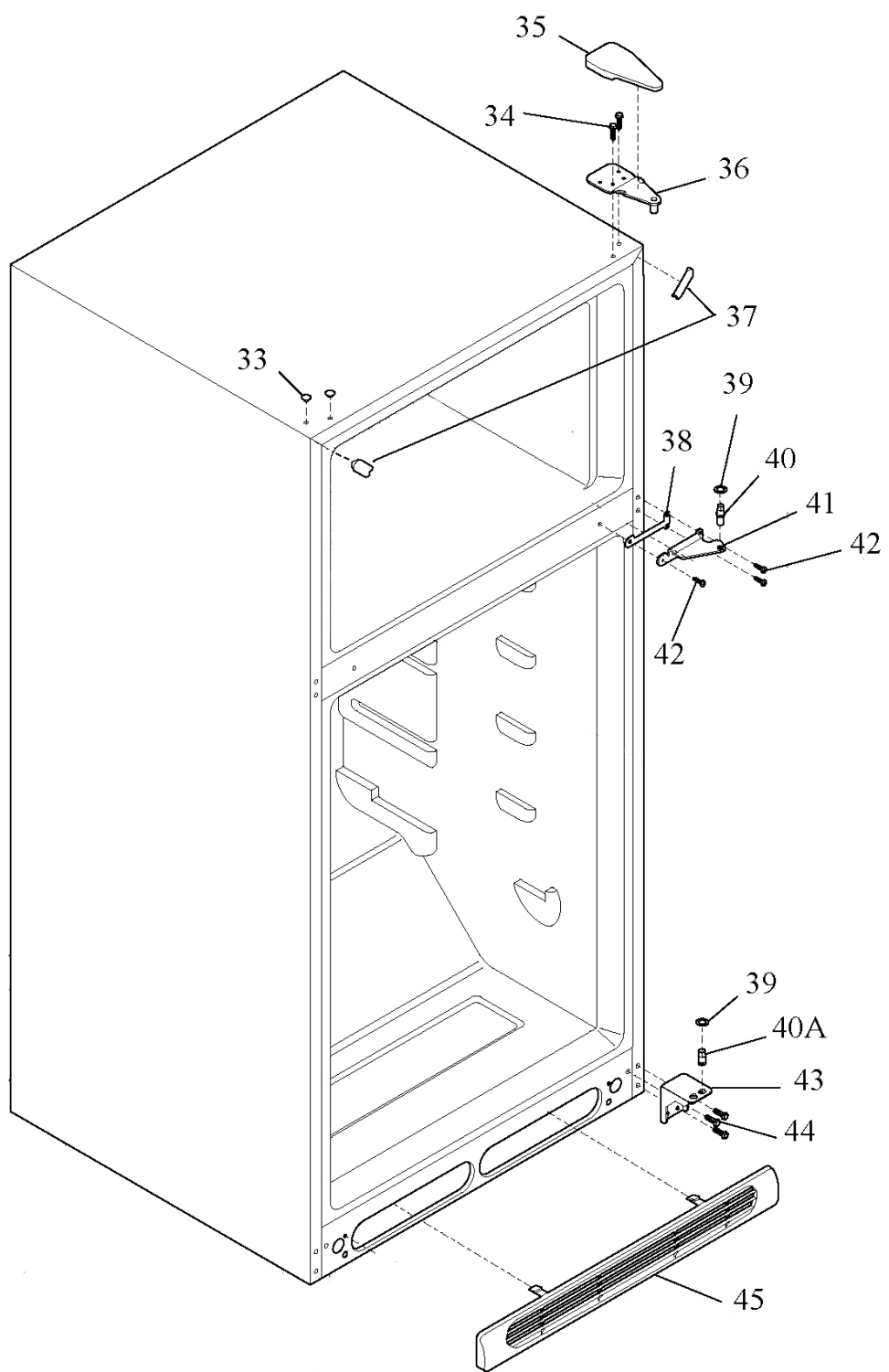
UNIQUE
UGP-18 Fridge
2007 to 2009
Parts Guide

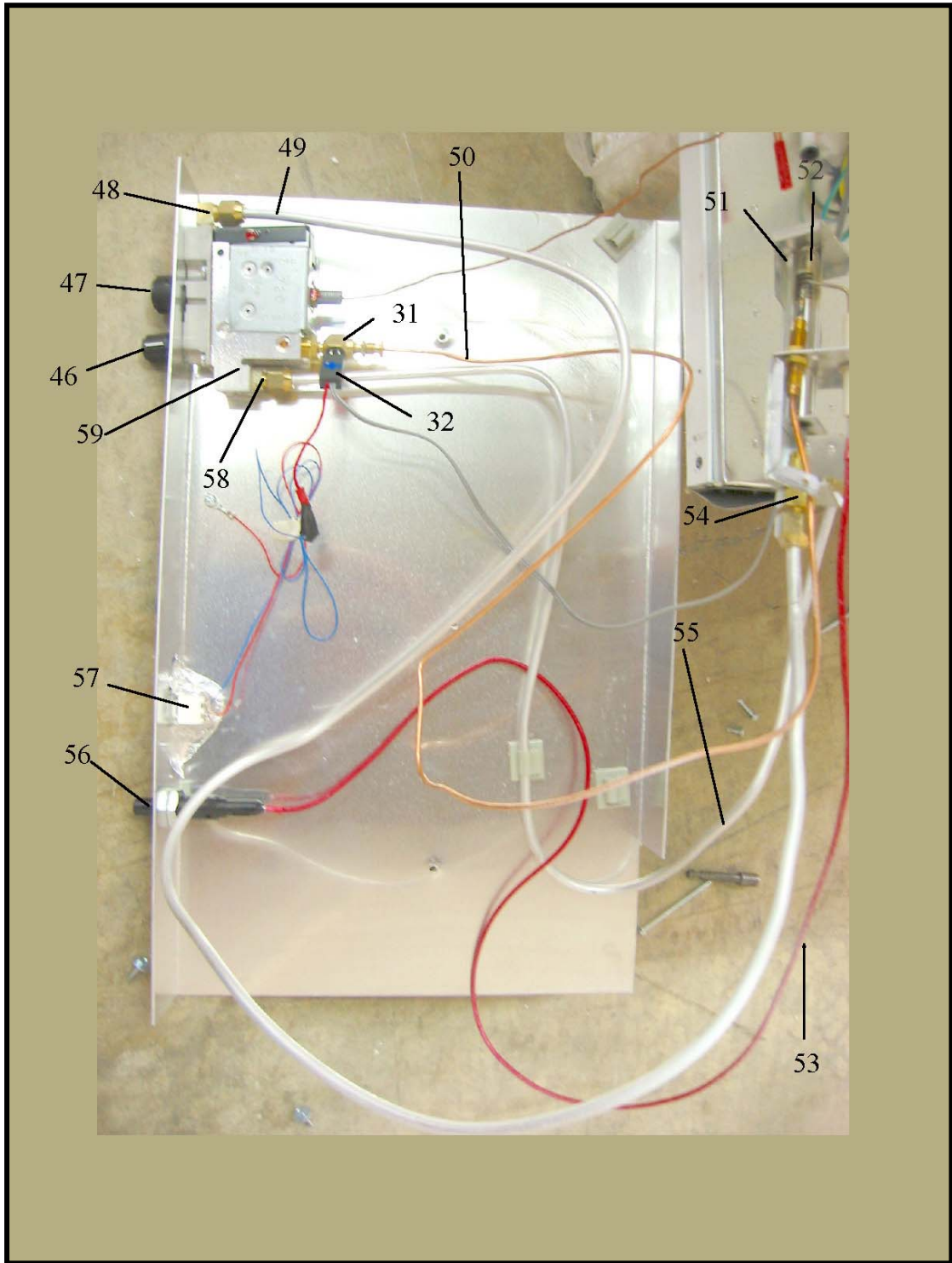


"Personal Service & Knowledge
makes us Unique"

Parts Diagram and List







UNIQUE UGP-18 Fridge (18 cu/ft)

Item#	PART#	DESCRIPTION
1	UGP18-01	FREEZER DOOR GASKET
1	UGP18-01-1	FREEZER DOOR GASKET – BLACK FOR STAINLESS STEEL FRIDGE
2	UGP18-02	PLUG
3	UGP18-03	FREEZER DOOR
3	UGP18-03-1	FREEZER DOOR – STAINLESS STEEL (MUST REQUEST LEFT OR RIGHT HANDED OPENING)
4	UGP18-04	CAP
5	UGP18-05	HANDLE COVER – FRIDGE AND FREEZER DOOR STAINLESS STEEL UNIT ONLY
6	UGP18-06	HANDLE - SCREW
7	UGP18-07	HANDLE WHITE - FRIDGE AND FREEZER DOOR
7	UGP18-07-1	HANDLE BLACK – FRIDGE AND FREEZER DOOR FOR STAINLESS STEEL UNIT ONLY
8	UGP18-08	PLUG – WHITE UNIT ONLY
9	UGP18-09	SCREW #8
10	UGP18-10	DOOR STOP - FREEZER
10	UGP18-10-1	DOOR STOP - FREEZER FOR STAINLESS STEEL DOOR ONLY
11	UGP18-11	DOOR STOP – FRIDGE
11	UGP18-11-1	DOOR STOP – FRIDGE FOR STAINLESS STEEL DOOR ONLY
12	UGP18-12	FRIDGE DOOR
12	UGP18-12-1	FRIDGE DOOR – STAINLESS STEEL (MUST REQUEST LEFT OR RIGHT HANDED OPENING)
13	UGP18-13	FRIDGE DOOR GASKET
13	UGP18-13-1	FRIDGE DOOR GASKET – BLACK FOR STAINLESS STEEL DOOR ONLY
14	UGP18-14	FRIDGE DOOR RACK – LOWER

Item#	PART#	DESCRIPTION
15	UGP18-15	FRIDGE DOOR RACK – MIDDLE
16	UGP18-16	FRIDGE DOOR RACK – TOP
17	UGP18-17	DAIRY COVER - WHITE
17	UGP18-17-1	DAIRY COVER – CLEAR STAINLESS STEEL ONLY
18	UGP18-18	FREEZER DOOR RACKS
19	UGP18-19	TRIM SHELF - REAR
20	UGP18-20	FRAME – SLIDING SHELF
21	UGP18-21	TRIM SHELF - FRONT
22	UGP18-22	GLASS SHELF
23	UGP18-23	CRISPER DRAWERS
24	UGP18-24	DAMPER - HUMIDITY CONTROL
25	UGP18-25	CONTROL HUMIDITY
26	UGP18-26	COVER - CRISPER PAN
27	UGP18-27	LIGHT SWITCH
28	UGP18-28	LIGHT SOCKET
29	UGP18-29	LIGHT BULB
30	UGP- 9RV-SSO	CO DETECTOR 9RV SSO
31	QMP- INTERRUPTER BLOCK	INTERRUPTER BLOCK FOR CO-MONITORED FRIDGES
31	QMP- INTERRUPTER BLOCK	SINGLE PRONG INTERRUPTER BLOCK FOR STANDARD MODEL FRIDGE (NO CO-MONITOR)
32	QMP-18-FET	MOSFET ASSY - FOR CO-MONITORED MODELS
33	UGP18-33	PLUGS - WHITE

Item#	PART#	DESCRIPTION
33	UGP18-33-1	PLUGS – BLACK FOR STAINLESS STEEL UNIT ONLY
34	UGP18-34	SCREWS – TOP HINGE
35	UGP18-35	HINGE COVER – WHITE
35	UGP18-35-1	HINGE COVER - BLACK
36	UGP18-36	TOP HINGE
37	UGP18-37	TRIM WHITE– UPPER CABNIT
37	UGP18-37-1	TRIM BLACK– UPPER CABNIT FOR STAINLESS STEEL UNIT ONLY
38	UGP18-38	SPACER – CENTER HINGE
39	UGP18-39	WASHER – NYLON
40	UGP18-40	PIN – CENTER HINGE
40A	UGP18-40A	PIN – BOTTOM HINGE
41	UGP18-41	CENTER HINGE
42	UGP18-42	SCREW – CENTER HINGE
43	UGP18-43	HINGE - LOWER
44	UGP18-44	SCREW – HEX HEAD – LOWER HINGE
45	UGP18-45	GRILL - WHITE
45	UGP18-45-1	GRILL – BLACK FOR STAINLESS STEEL MODELS ONLY
46	UGP18-46	KNOB - ON/OFF
47	UGP18-47	KNOB - THERMOSTAT
48	UGP18-48	OUTLET FITTING
49	UGP18-49	OUTLET GAS TUBE
50	UGP18-50	THERMOCOUPLE

Item#	PART#	DESCRIPTION
51	UGP18-51	BURNER BRACKET
52	UGP18-52	BURNER TUBE
53	UGP18-53	ELECTRODE WITH WIRE
54	UGP18-54	ORIFICE
55	UGP18-55	INLET GAS TUBE
56	UGP18-56	PEIZO IGNITOR
57	UGP18-57	FLAME INDICATOR
58	UGP18-58	INLET FITTING
59	UGP18-59	GAS THERMOSTAT CONTROL