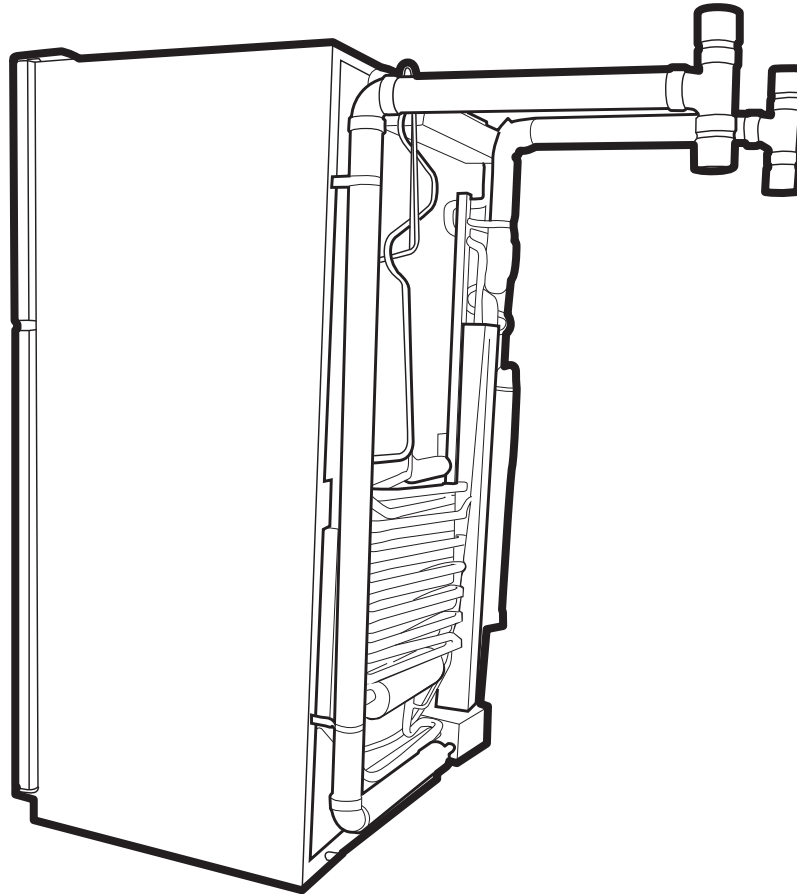


THE DO'S & DON'TS WHEN INSTALLING YOUR UNIQUE DV SYSTEM



Voice over: This video is intended to highlight the do's and don'ts when installing your Unique propane direct vent fridge

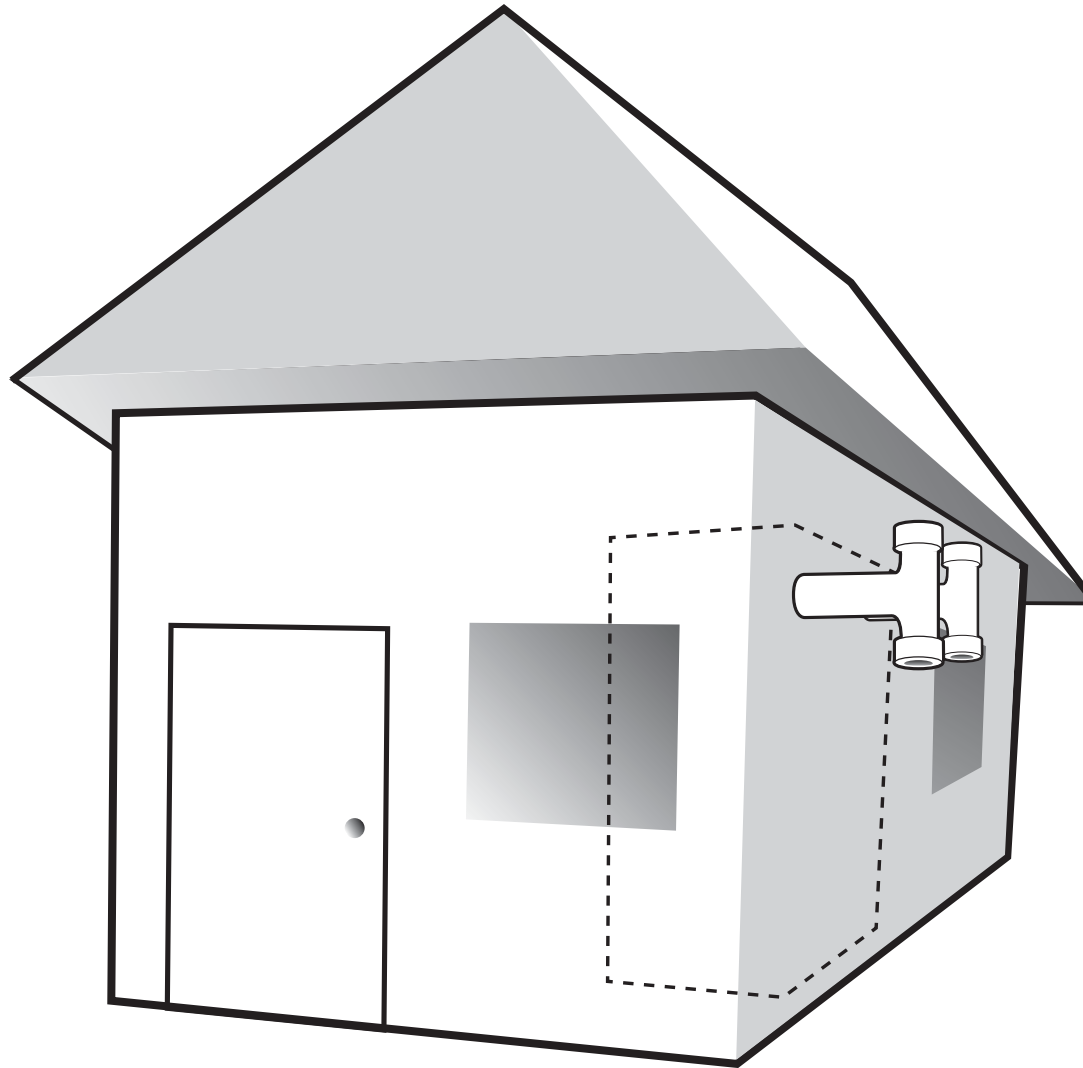
FOLLOW YOUR INSTALLATION MANUAL PROVIDED WITH YOUR UNIT



Voice over: This video is intended not as a “how to” video for installing your new Unique propane fridge, it is intended to identify some of the common errors in the direct vent installation portion of the propane fridge install

INSTALLATION

CORRECT

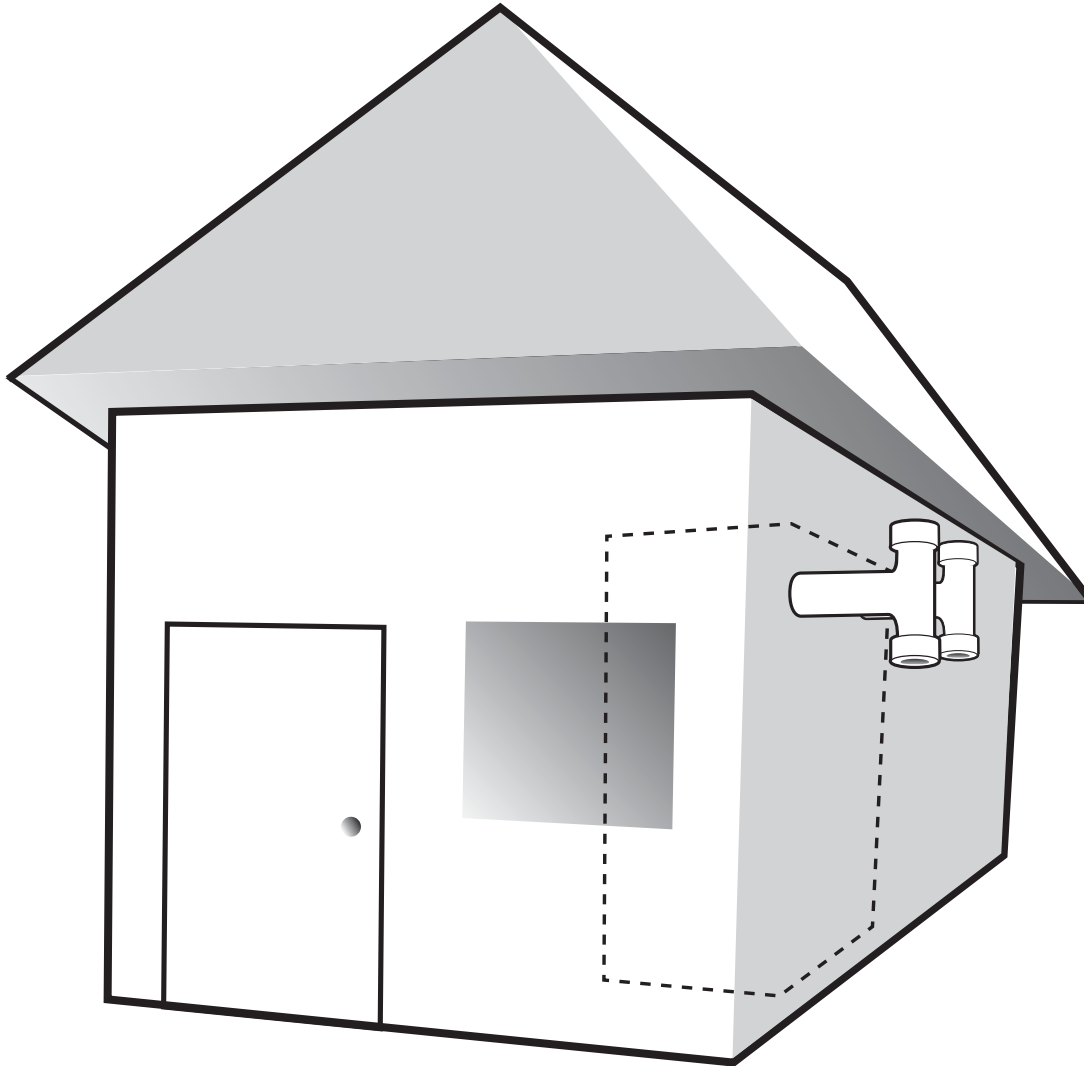


Voice over: Vents must terminate directly from the back of the appliance out through an exterior wall

UNIQUE[®]
OFF-GRID APPLIANCES

TEMPERATURE

CORRECT

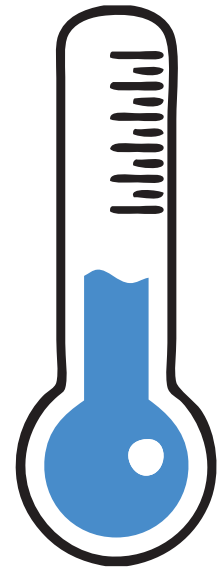


**Temp
Above
-15°C**

Voice over: Use only when temperatures are above -15°C

UNIQUE[®]
OFF-GRID APPLIANCES

TEMPERATURE
INCORRECT



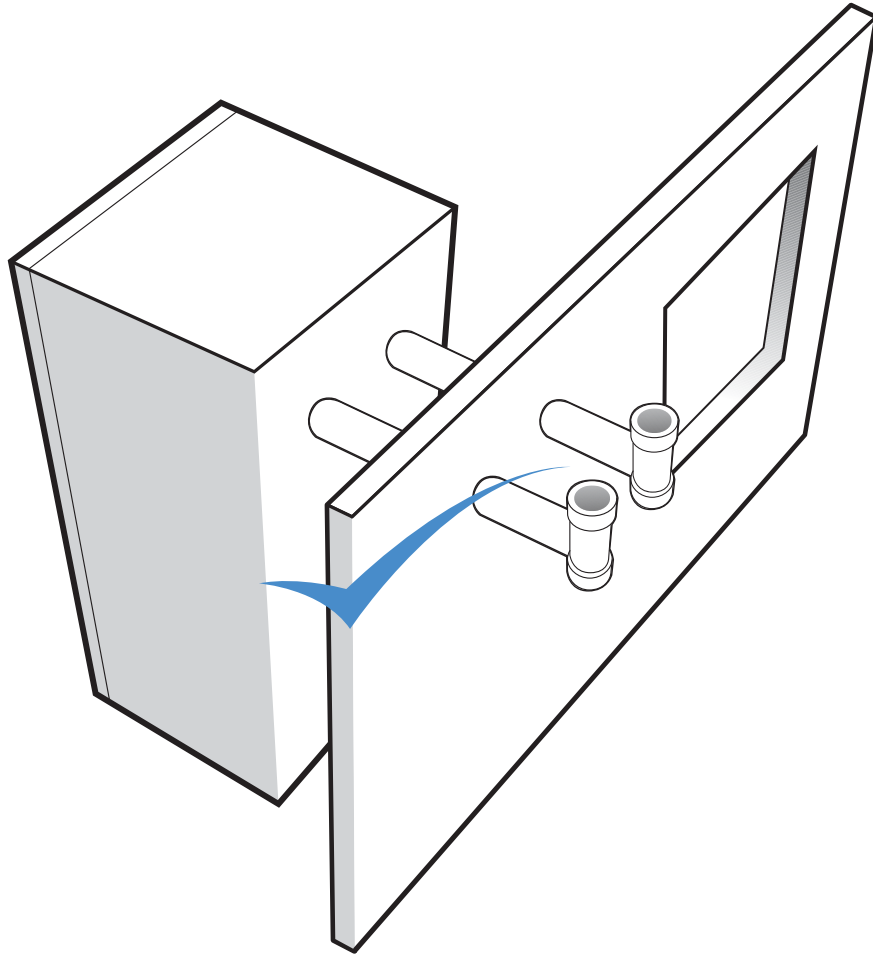
Temp
below
-15°C

Voice over: Never use when temperatures go below -15°C (will create ice build up). If your application requires use below -15°C, please consider a Unique upright solar refrigerator - www.uniqueoffgrid.com

UNIQUE
OFF-GRID APPLIANCES

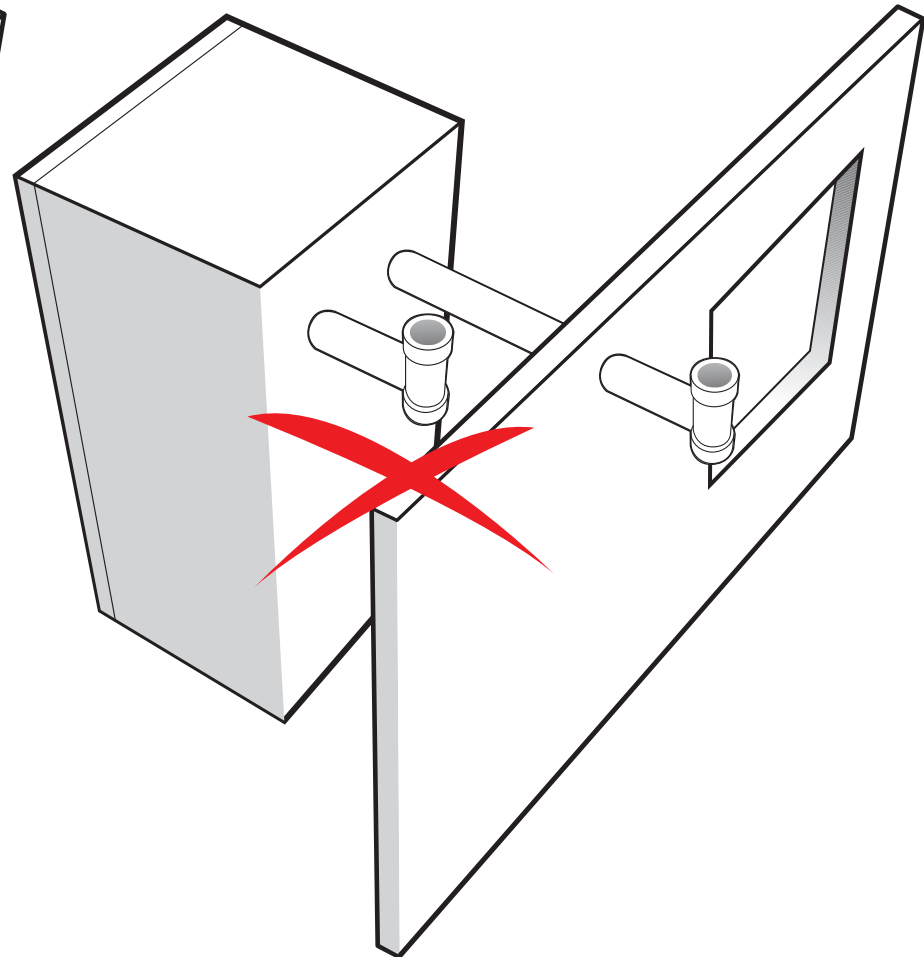
VENTING

CORRECT



Exterior Wall

INCORRECT

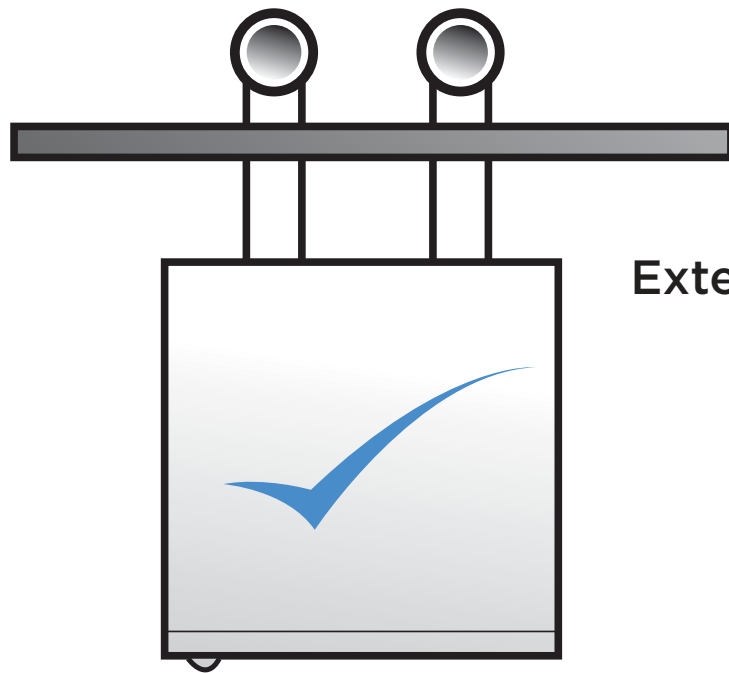


Interior Wall

Voice over: Never terminate a vent on the inside of your dwelling. Both vents must terminate to the outside of your house

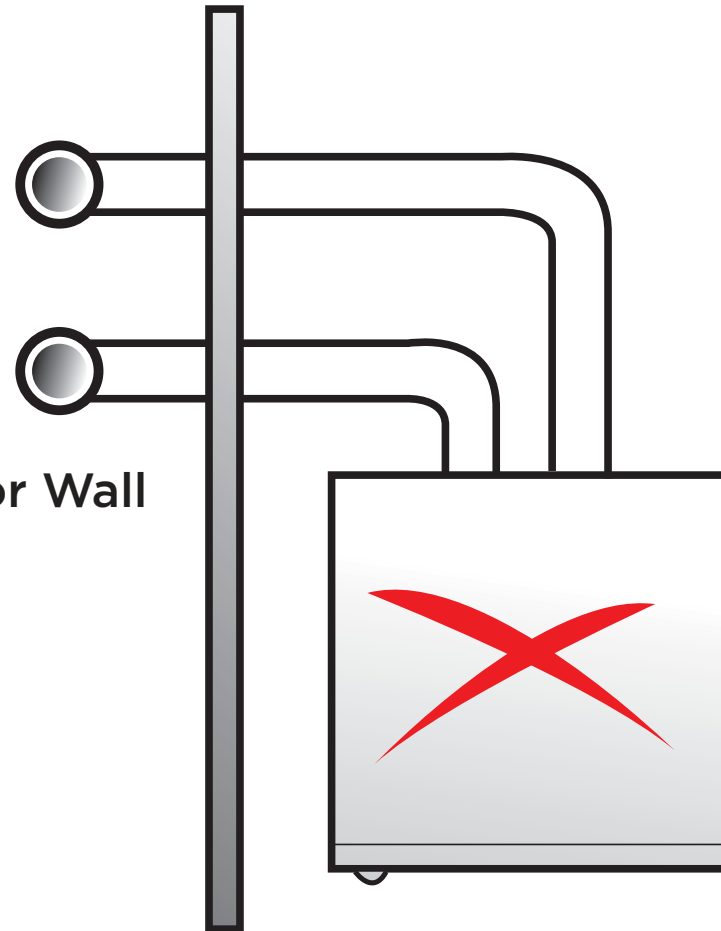
VENTING

CORRECT



Exterior Wall

INCORRECT

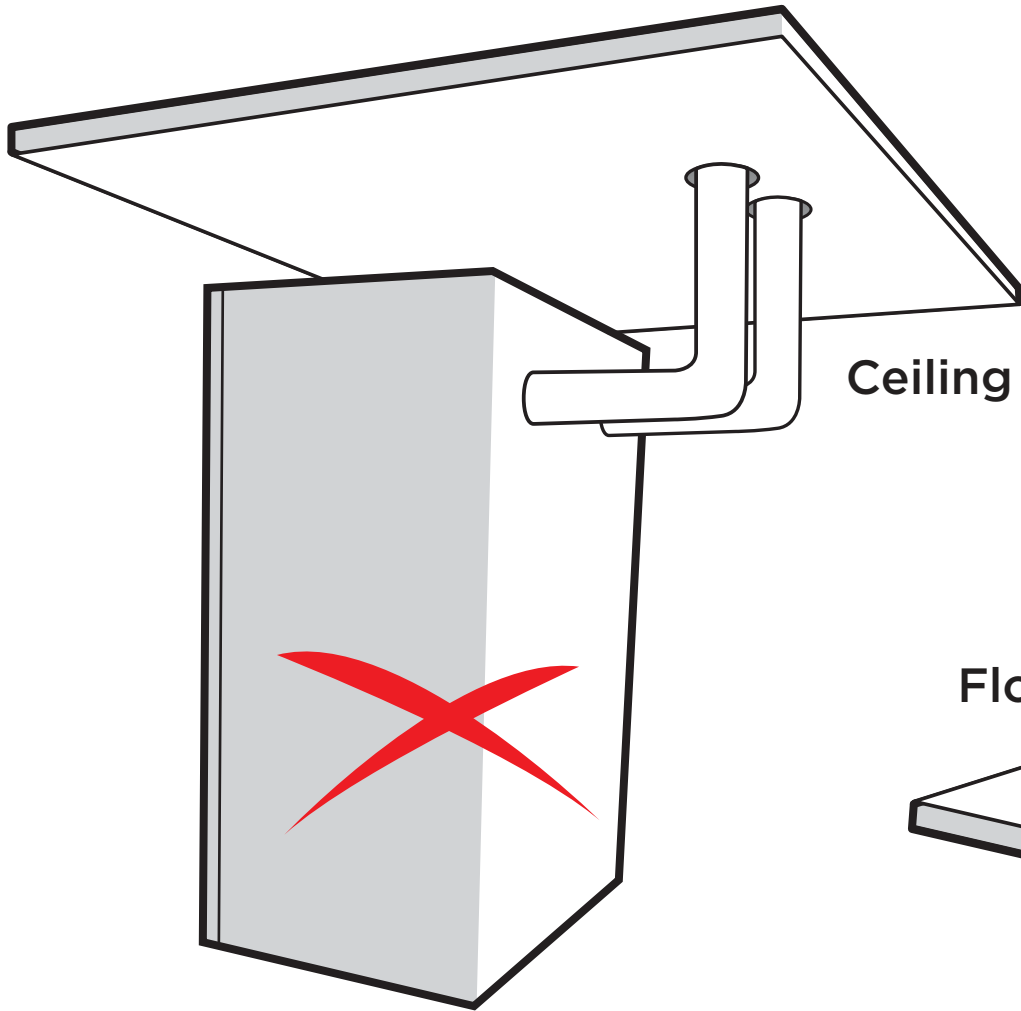


Top View

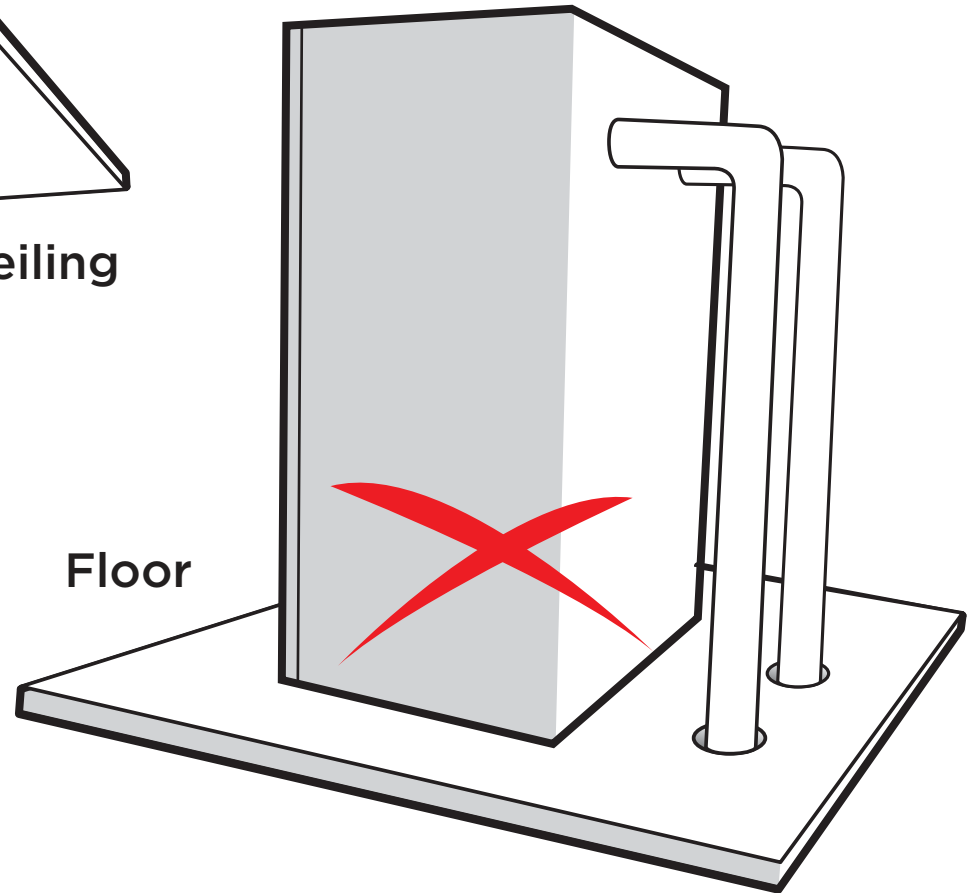
Voice over: Never vent to the side of the appliance. Vents must terminate directly from the back of the appliance out through an exterior wall

VENTING

INCORRECT



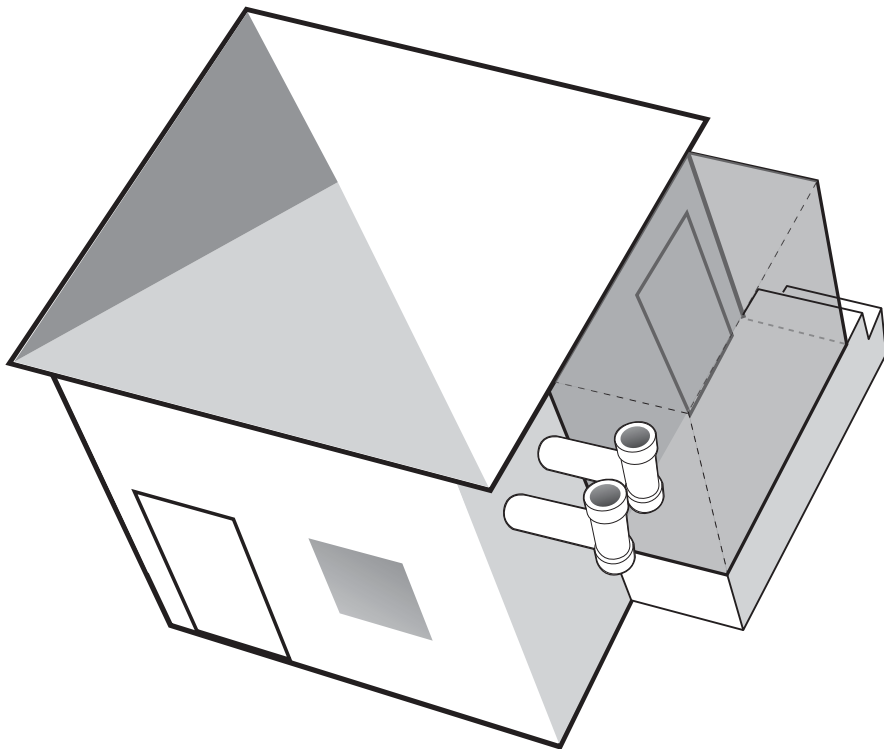
INCORRECT



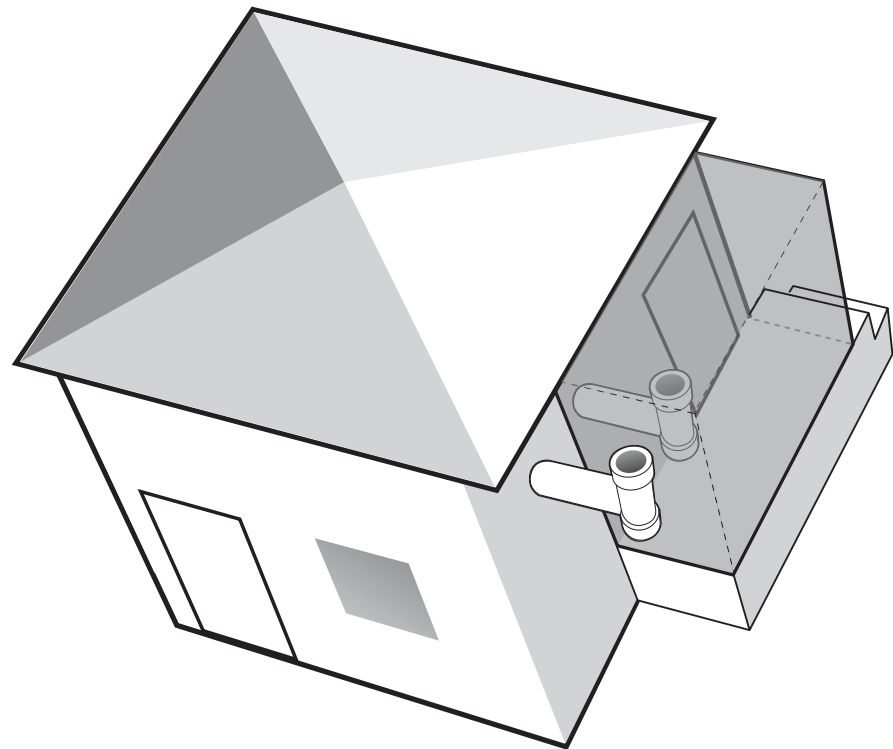
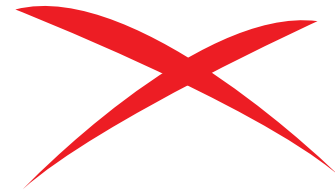
Voice over: Vents cannot terminate up through the roof or down through the floor. BTUs are low, flue gases will collapse/snuff out flame

VENTING

CORRECT



INCORRECT

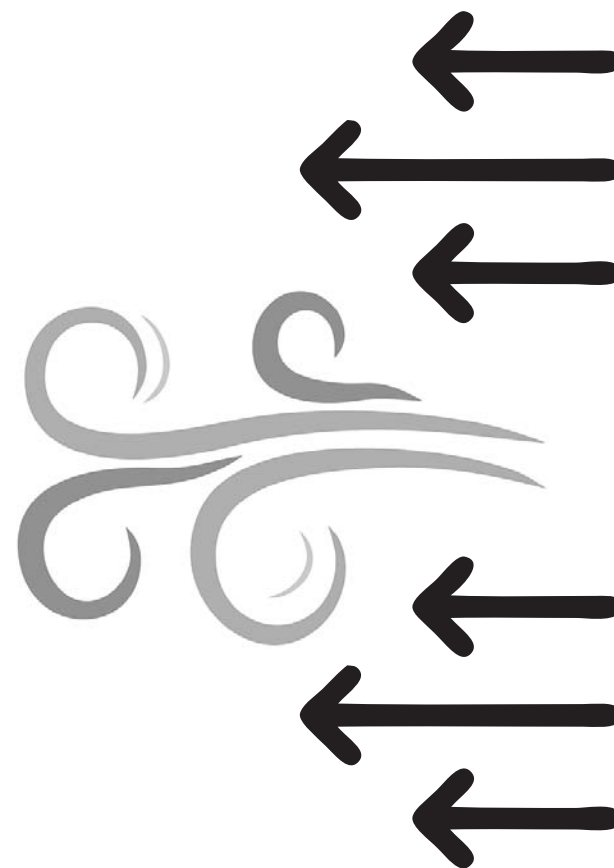
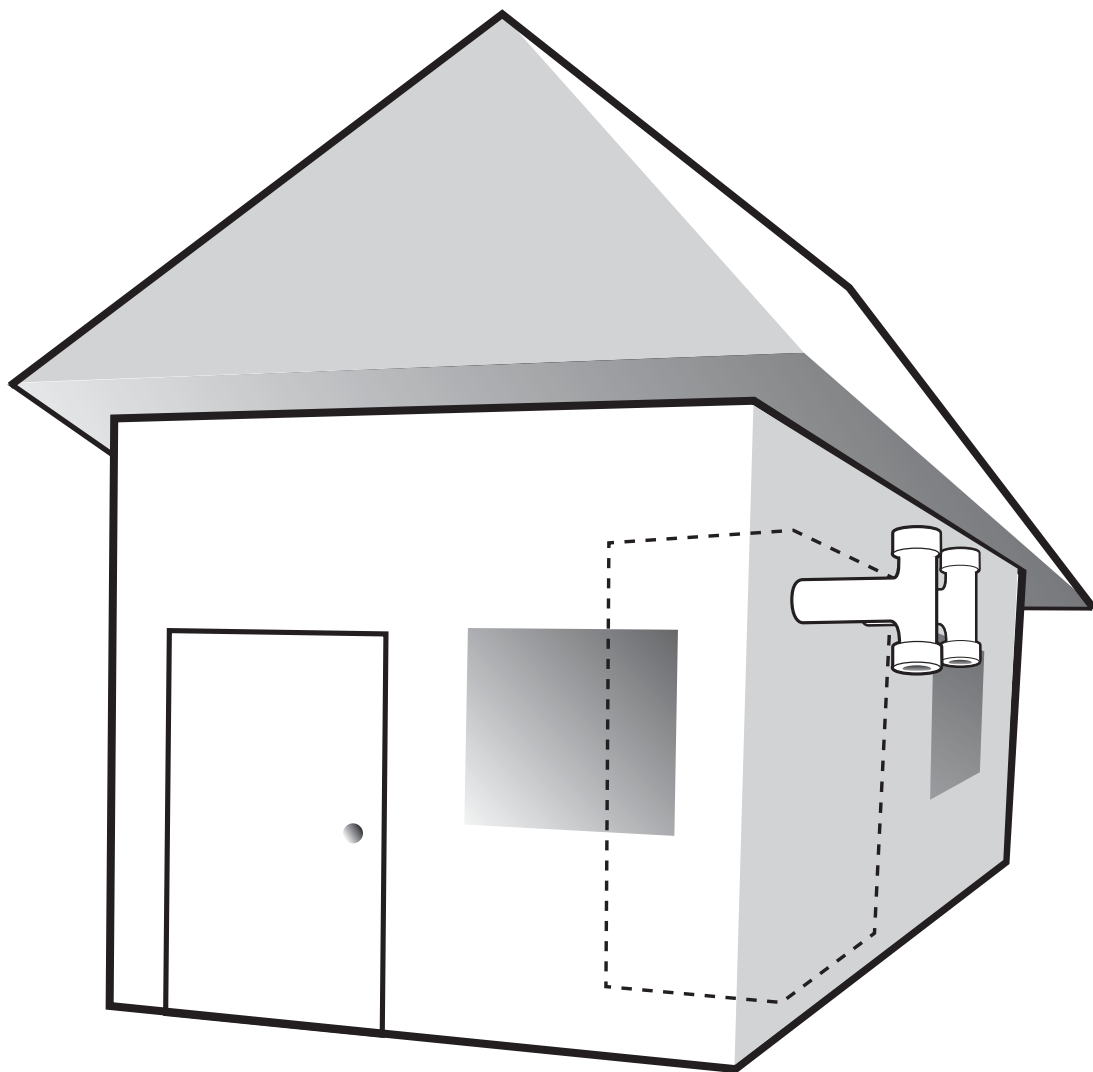


Top View

Voice over: Vents should not terminate into different locations. For example one vent in a mudroom or screened in porch and one on an exterior wall. Vents must terminate directly from the back of the appliance out through an outside wall.

HIGH WIND APPLICATIONS

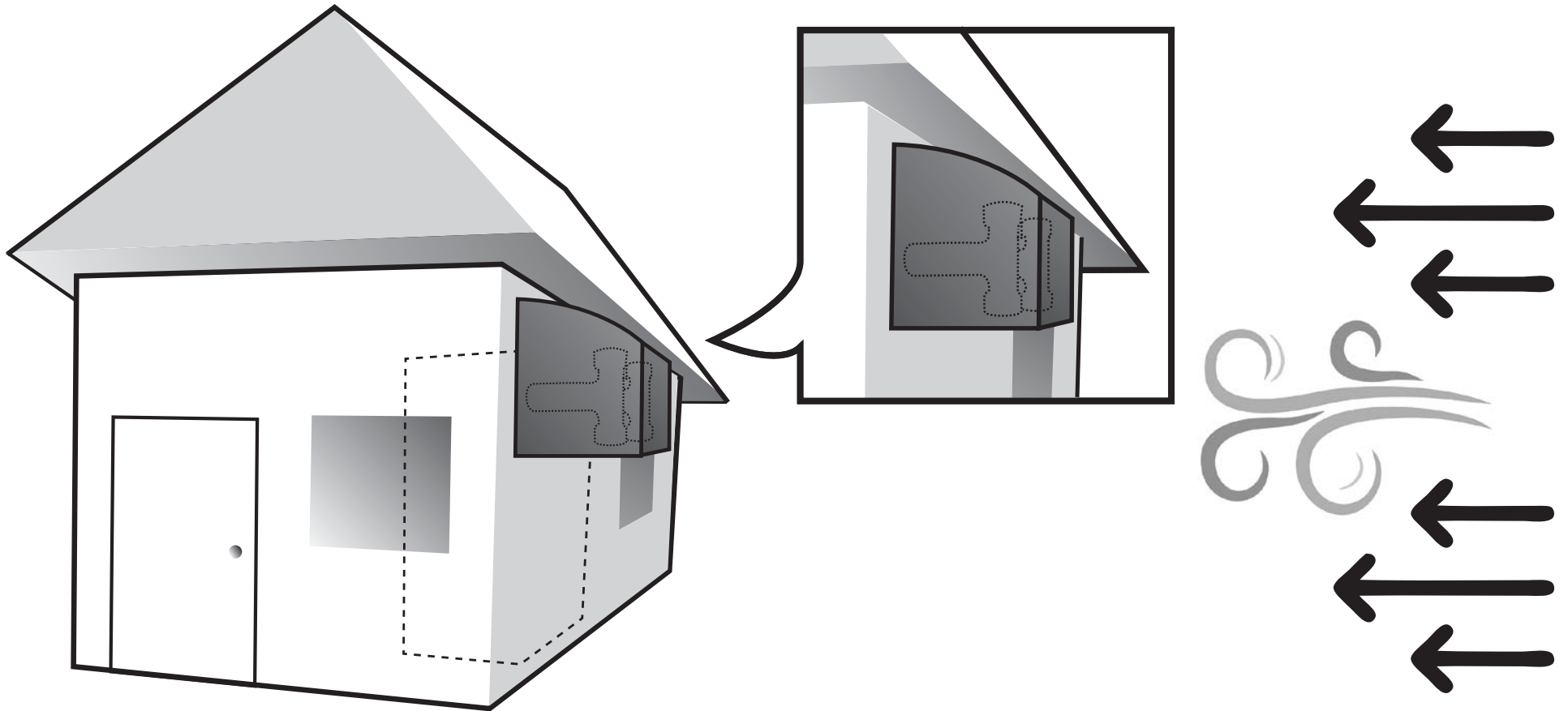
INCORRECT



Voice over: If possible, terminate venting in a sheltered area

HIGH WIND APPLICATIONS

CORRECT



Voice over: In a high wind application, either use Unique's High Wind Vent Termination Hood (Unique Part number UGP-OSMVHA - optional part) or attempt to terminate your hood vents in a more sheltered location.